



US00D814884S

(12) **United States Design Patent**
Middleton et al.

(10) **Patent No.:** US D814,884 S

(45) **Date of Patent:** ** Apr. 10, 2018

(54) **CONTAINER**

D205,150 S 6/1966 Cornwell
4,209,107 A 6/1980 Crisci
D285,906 S 9/1986 Tyler

(71) Applicant: **ABBOTT LABORATORIES**, Abbott Park, IL (US)

(Continued)

(72) Inventors: **Jason Middleton**, Dublin, OH (US);
Spencer Beaufore, Dublin, OH (US);
Jeremy McBroom, Columbus, OH (US);
Sriram Tharmapuram, Dublin, OH (US)

FOREIGN PATENT DOCUMENTS

DE 202010007217 U1 9/2010
EP 1932773 A1 6/2008

(Continued)

(73) Assignee: **ABBOTT LABORATORIES**, Abbott Park, IL (US)

OTHER PUBLICATIONS

Notice of Allowance from U.S. Appl. No. 29/507,751 dated Jul. 14, 2016.

(Continued)

(**) Term: **15 Years**

Primary Examiner — George D. Kirschbaum

Assistant Examiner — Clese Moore, Jr.

(21) Appl. No.: **29/581,620**

(74) *Attorney, Agent, or Firm* — Calfee, Halter & Griswold LLP

(22) Filed: **Oct. 20, 2016**

Related U.S. Application Data

(62) Division of application No. 29/507,750, filed on Oct. 30, 2014, now Pat. No. Des. 772,659.

(51) **LOC (11) Cl.** **07-01**

(52) **U.S. Cl.**
USPC **D7/629**

(58) **Field of Classification Search**
USPC D7/629, 628, 630, 601, 602, 538-542,
D7/612-615; D9/424-432; D3/201, 302;
D34/7, 10
CPC B65D 43/02; B65D 43/14; B65D 43/16;
B65D 2543/00092; B65D 2543/00296;
B65D 2543/00537

See application file for complete search history.

(56) **References Cited**

U.S. PATENT DOCUMENTS

2,675,040 A 4/1954 Raun et al.
2,780,259 A 2/1957 Nalle, Jr.
D197,243 S 12/1963 Ernest

(57) **CLAIM**

We claim the ornamental design for a container, as shown and described.

DESCRIPTION

FIG. 1 is a front perspective view of a container showing the new design;

FIG. 2 is a bottom perspective view of the container of FIG. 1;

FIG. 3 is an enlarged view of the designated circular area of FIG. 2;

FIG. 4 is a left side view of the container of FIG. 1, the right side view being essentially a mirror image thereof;

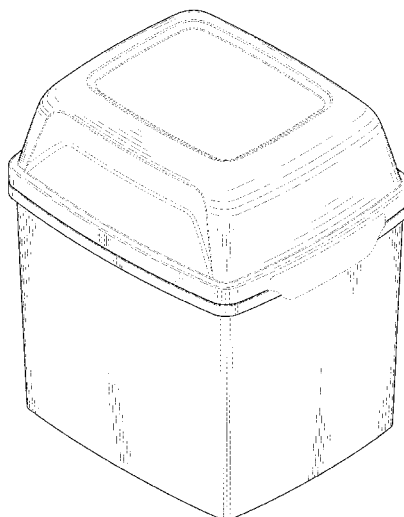
FIG. 5 is a front view of the container of FIG. 1, the rear view being essentially a mirror image thereof;

FIG. 6 is a top view of the container of FIG. 1; and,

FIG. 7 is a bottom view of the container of FIG. 1.

The broken lines shown illustrate portions of the container that form no part of the claimed design.

1 Claim, 6 Drawing Sheets



(56)

References Cited

U.S. PATENT DOCUMENTS

D308,340 S 6/1990 Ilsen
 D311,334 S 10/1990 Flynn
 D326,391 S 5/1992 Verchere
 D329,930 S 9/1992 Delmerico
 D335,565 S * 5/1993 Juergens 34/10
 D336,017 S 6/1993 Smith
 D342,609 S 12/1993 Brightbill
 D347,113 S 5/1994 Bornhorst
 D349,646 S * 8/1994 Dickinson D3/302
 D351,090 S 10/1994 Narsutis
 D351,792 S * 10/1994 Morris, Sr. D9/425
 D360,898 S 8/1995 Huerto
 D372,401 S 8/1996 Lillelund
 5,718,350 A 2/1998 Williams
 D396,133 S 7/1998 Stein
 D416,797 S 11/1999 Rabe
 D418,055 S 12/1999 Veto
 D441,599 S 5/2001 Garber
 D451,765 S 12/2001 Israel
 D465,312 S * 11/2002 Perelli D34/7
 D473,789 S 4/2003 Crawford
 D477,912 S 8/2003 Cunningham
 D484,797 S 1/2004 Kipperman
 D493,073 S 7/2004 Kim
 D540,039 S 4/2007 Van Beuningen et al.
 D547,177 S 7/2007 Sherman
 D548,538 S 8/2007 Liu
 D553,980 S 10/2007 VerWeyst
 7,350,789 B2 4/2008 Uffner
 D575,100 S 8/2008 Liu
 D576,035 S 9/2008 Perry
 D578,757 S 10/2008 Stevens
 D595,128 S 6/2009 Bouveret
 D602,255 S 10/2009 Ahlgrim
 D620,746 S 8/2010 Hsiao
 D630,900 S 1/2011 Samartgis
 D645,748 S 9/2011 Sharma
 D649,839 S 12/2011 Stamper
 D653,450 S * 2/2012 Walter D3/302
 D654,690 S 2/2012 Sofy
 D660,094 S * 5/2012 Kyung D7/629
 D667,699 S 9/2012 Brockington
 D669,778 S 10/2012 Houlton
 D675,477 S 2/2013 McGrath
 D676,739 S 2/2013 McGrath
 D682,045 S 5/2013 Myoung
 D682,046 S 5/2013 Myoung
 D682,047 S 5/2013 Myoung
 D688,363 S * 8/2013 Dios D23/359
 D688,551 S * 8/2013 Wahl D7/602
 8,511,499 B2 8/2013 Perry et al.
 D697,762 S 1/2014 Carlson
 D702,509 S * 4/2014 Segal D7/629
 D719,731 S 12/2014 Burgess
 D721,491 S 1/2015 Wang
 D732,879 S 6/2015 Miles
 D733,320 S 6/2015 Perry
 D741,171 S 10/2015 Thurin
 D741,665 S 10/2015 Bagley
 D751,215 S * 3/2016 Perry D24/232

D760,073 S 6/2016 Mather
 D766,650 S 9/2016 Middleton et al.
 D772,659 S * 11/2016 Middleton D7/629
 D778,152 S * 2/2017 Middleton D9/424
 D779,266 S * 2/2017 Decker D7/391
 D781,700 S * 3/2017 Middleton D9/424
 D803,675 S * 11/2017 Middleton D9/424
 2004/0144781 A1 7/2004 Dees
 2006/0076352 A1 4/2006 Peterson
 2006/0201943 A1* 9/2006 Uffner B60B 33/08
 220/23.83
 2008/0041861 A1 2/2008 Crawford et al.
 2010/0308065 A1 12/2010 Vandamme et al.
 2011/0192847 A1 8/2011 Vandamme et al.
 2011/0315686 A1 12/2011 Siddiqui et al.
 2012/0000925 A1 1/2012 Dols et al.
 2012/0048874 A1 3/2012 Oakes
 2012/0061413 A1 3/2012 Dols et al.
 2014/0097183 A1 4/2014 McGrath et al.

FOREIGN PATENT DOCUMENTS

EP 2030908 3/2009
 WO 2010141841 12/2010

OTHER PUBLICATIONS

Response to Restriction Requirement from from U.S. Appl. No. 29/507,752 dated Jul. 18, 2016.
 Ex Parte Quayle Office Action from U.S. Appl. No. 29/507,752 dated Jul. 29, 2016.
 Office Action from U.S. Appl. No. 29/522,201 dated May 18, 2016.
 Zojirushi America Corporation Ms. Bento® Stainless Lunch Jar SL-NCE09 Instruction Manual (4 pages).
 Restriction Requirement from from U.S. Appl. No. 29/507,751 dated Dec. 1, 2015.
 Response to Restriction Requirement from from U.S. Appl. No. 29/507,751 dated Feb. 1, 2016.
 Notice of Allowance from U.S. Appl. No. 29/507,751 dated Feb. 18, 2016.
 Notice of Allowance from U.S. Appl. No. 29/507,751 dated Aug. 23, 2016.
 Restriction Requirement from from U.S. Appl. No. 29/507,750 dated Mar. 2, 2016.
 Notice of Allowance from from U.S. Appl. No. 29/507,750 dated Jul. 15, 2016.
 Response After Ex Parte Quayle Action from U.S. Appl. 29/507,752 dated Sep. 29, 2016.
 Response to Office Action from U.S. Appl. No. 29/522,201 dated Aug. 17, 2016.
 Notice of Allowance from U.S. Appl. No. 29/522,201 dated Sep. 29, 2016.
 English Summary of Office Action from Chinese Patent Application No. 201520810462.X dated Jan. 25, 2016.
 International Search Report from PCT/US2015/056411 dated Dec. 8, 2015.
 Notice of Allowance from U.S. Appl. No. 29/592,525 dated Aug. 28, 2017.

* cited by examiner

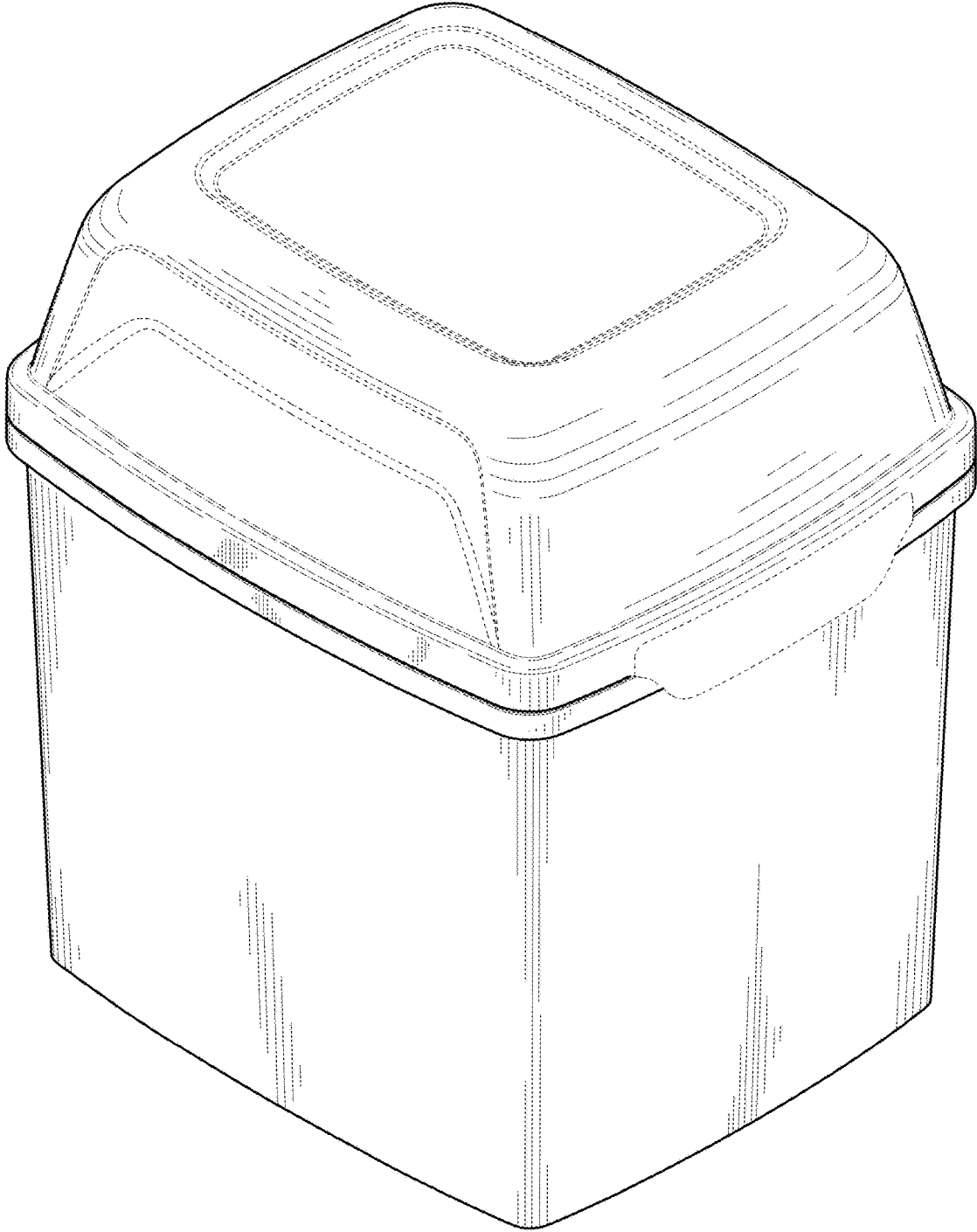
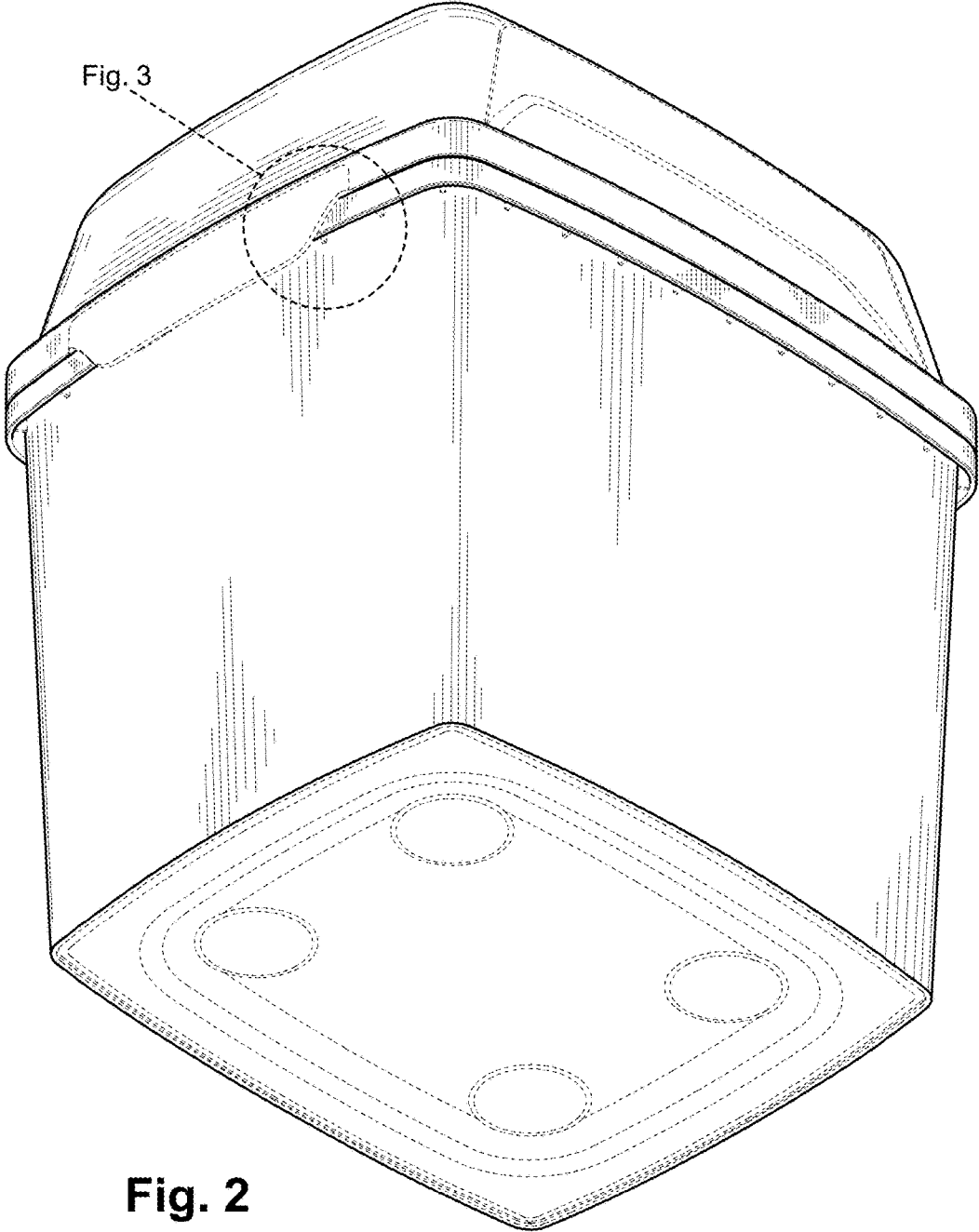


Fig. 1



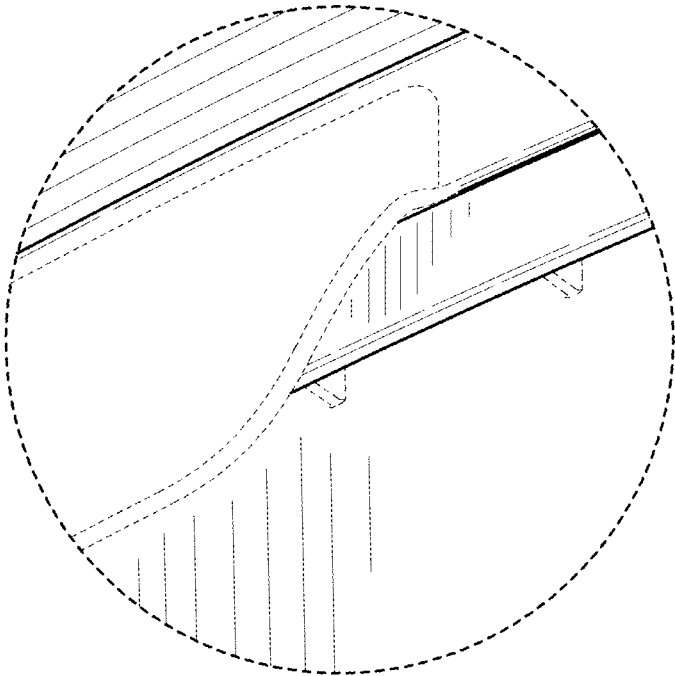


Fig. 3

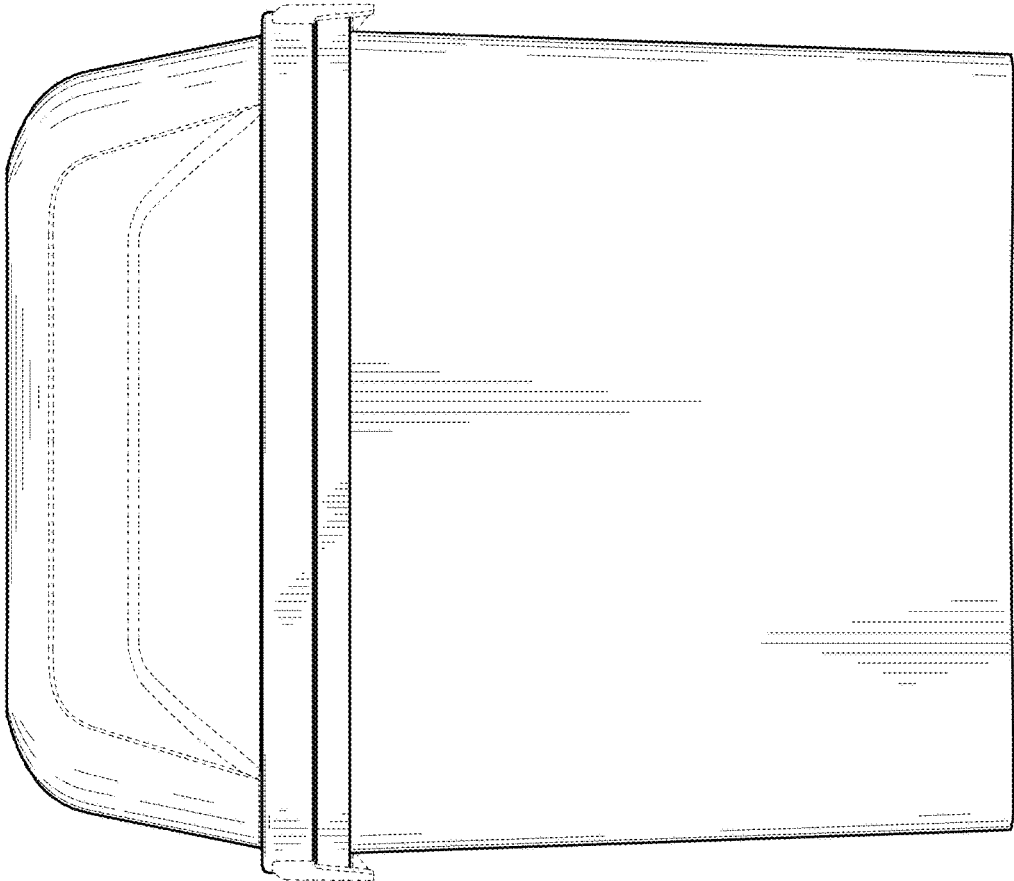


Fig. 4

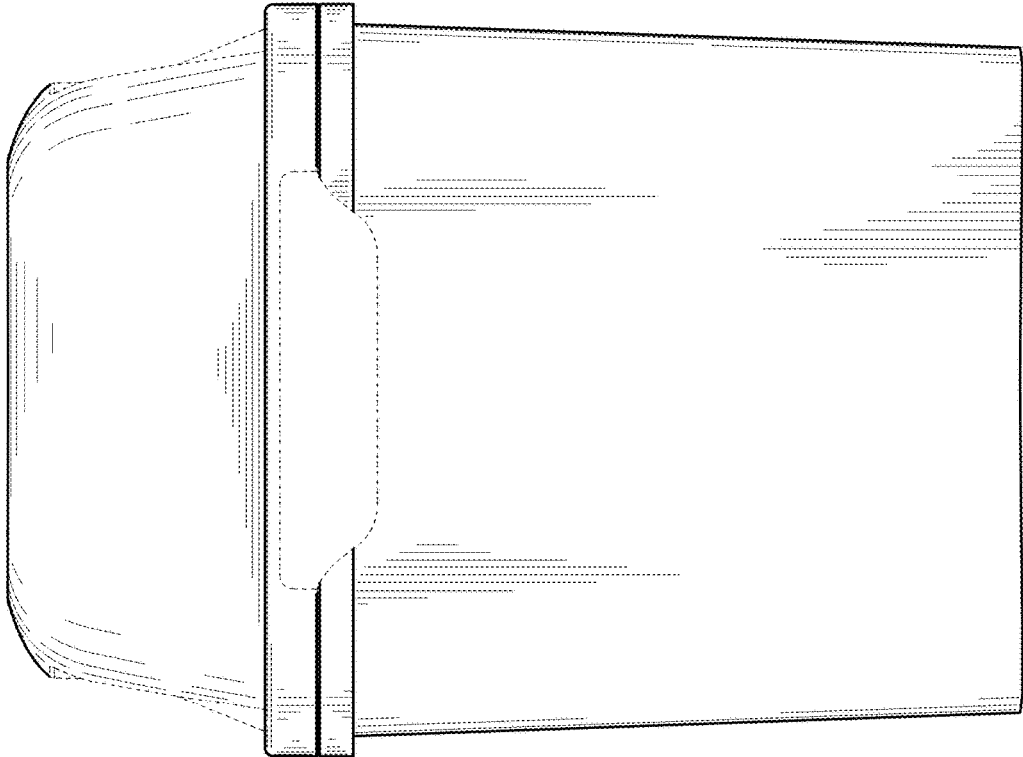


Fig. 5

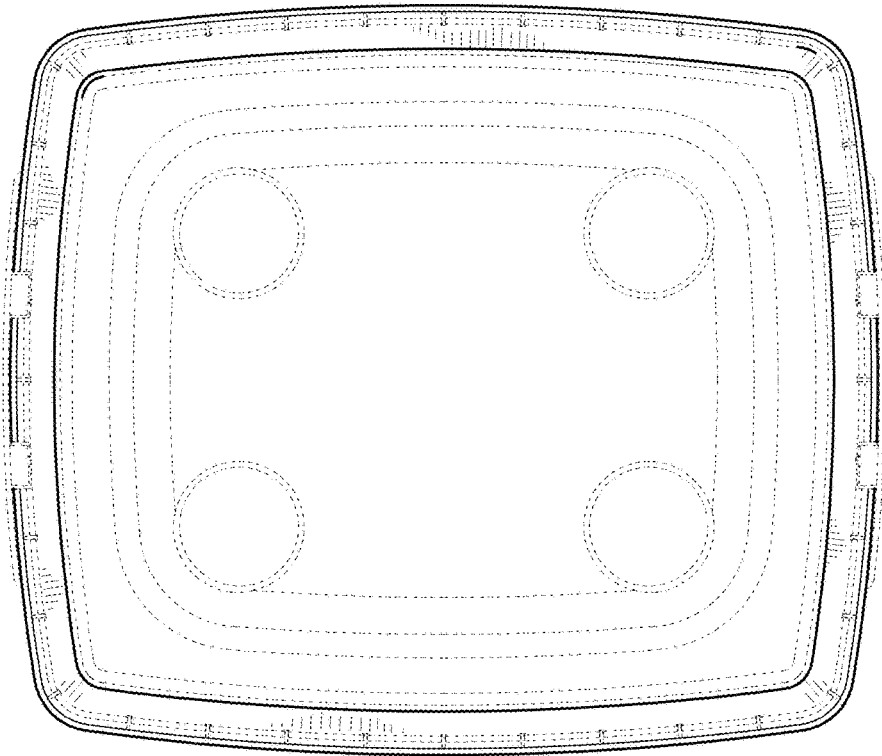


Fig. 7

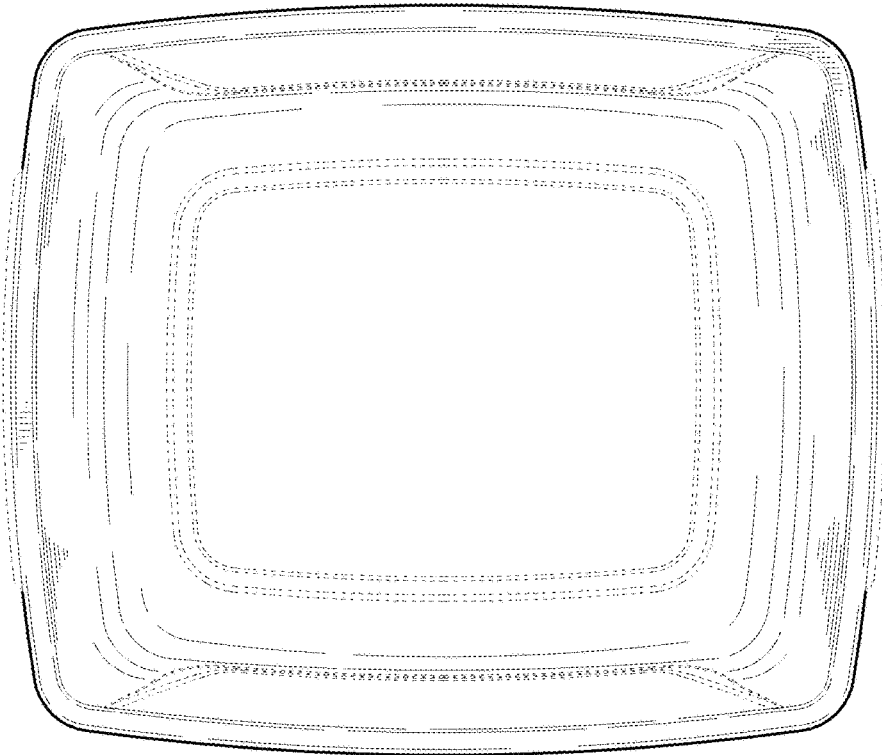


Fig. 6