



US00D997691S

(12) **United States Design Patent**
Wang

(10) **Patent No.:** **US D997,691 S**

(45) **Date of Patent:** **** Sep. 5, 2023**

- (54) **FASTENING DEVICE**
- (71) Applicant: **FIVETECH TECHNOLOGY INC.,**
New Taipei (TW)
- (72) Inventor: **Ting-Jui Wang,** New Taipei (TW)
- (73) Assignee: **FIVETECH TECHNOLOGY INC.,**
New Taipei (TW)
- (**) Term: **15 Years**

D662,064	S *	6/2012	Natoli	D13/151
D703,519	S *	4/2014	Sensenev	D8/382
D721,266	S *	1/2015	Sun	D8/382
D823,101	S *	7/2018	Wassdahl	D8/382
D838,582	S *	1/2019	Szucs	D8/382
D864,391	S *	10/2019	Sweeney	D24/146
D903,831	S *	12/2020	Harper	D23/259
D910,426	S *	2/2021	Wang	D8/382
2008/0064259	A1 *	3/2008	Amidon	H01R 11/11
				439/578
2012/0099943	A1 *	4/2012	Chiu	F16B 5/0208
				411/347

(21) Appl. No.: **29/701,546**

OTHER PUBLICATIONS

(22) Filed: **Aug. 13, 2019**

FiveTech Plunger, https://www.fivetk.com/products_overview_detail_page/index.php?id=81&m_id=10&s_id=61 (Year: 2014).*

(51) **LOC (14) Cl.** **08-08**

* cited by examiner

(52) **U.S. Cl.**
USPC **D8/382**

(58) **Field of Classification Search**
 USPC D6/672, 684, 680, 683.1, 703.5; D8/330,
 D8/331, 333, 380, 382, 354, 319, 349,
 D8/355, 363, 373; D13/154, 133, 129,
 D13/199; D25/119, 164, 199, 139, 141;
 D26/138, 76, 78, 79, 80
 CPC .. F16C 2314/72; F16C 29/0623; F16C 29/06;
 F16C 29/008; F16C 29/04; F16C
 29/0657; F16C 29/004; F16C 29/12;
 A47B 1/10; A47B 88/493; A47B 88/423;
 A47B 88/4235; F16M 11/2085; F16M
 11/2092; F16M 11/2007; F16M 11/2014;
 F16M 11/2021; F16M 11/105; F16M
 11/048; F16M 11/12; F16M 11/022;
 F16M 11/10

Primary Examiner — Richard Kearney
Assistant Examiner — Benjamin M Weeks
 (74) *Attorney, Agent, or Firm* — Schmeiser, Olsen &
 Watts, LLP

See application file for complete search history.

(57) **CLAIM**

The ornamental design for a fastening device, as shown and described.

DESCRIPTION

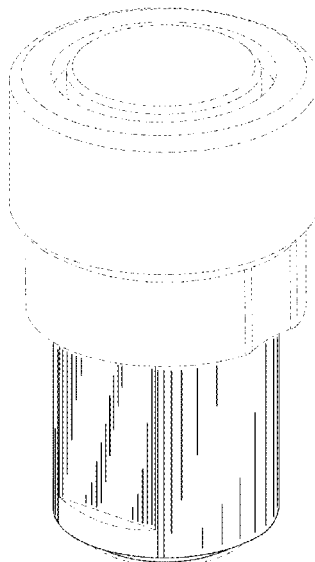
FIG. 1 is a perspective view of a fastening device showing my new design;
 FIG. 2 is a front elevation view thereof;
 FIG. 3 is a rear elevation view thereof;
 FIG. 4 is a left side elevation view thereof;
 FIG. 5 is a right side elevation view thereof;
 FIG. 6 is a top plan view thereof; and,
 FIG. 7 is a bottom plan view thereof.
 The broken lines depict portions of the fastening device that form no part of the claimed design.

(56) **References Cited**

U.S. PATENT DOCUMENTS

D289,405	S *	4/1987	Nystrom	D15/138
D572,197	S *	7/2008	Chawgo	D13/133
D662,062	S *	6/2012	Eriksen	D13/151

1 Claim, 7 Drawing Sheets



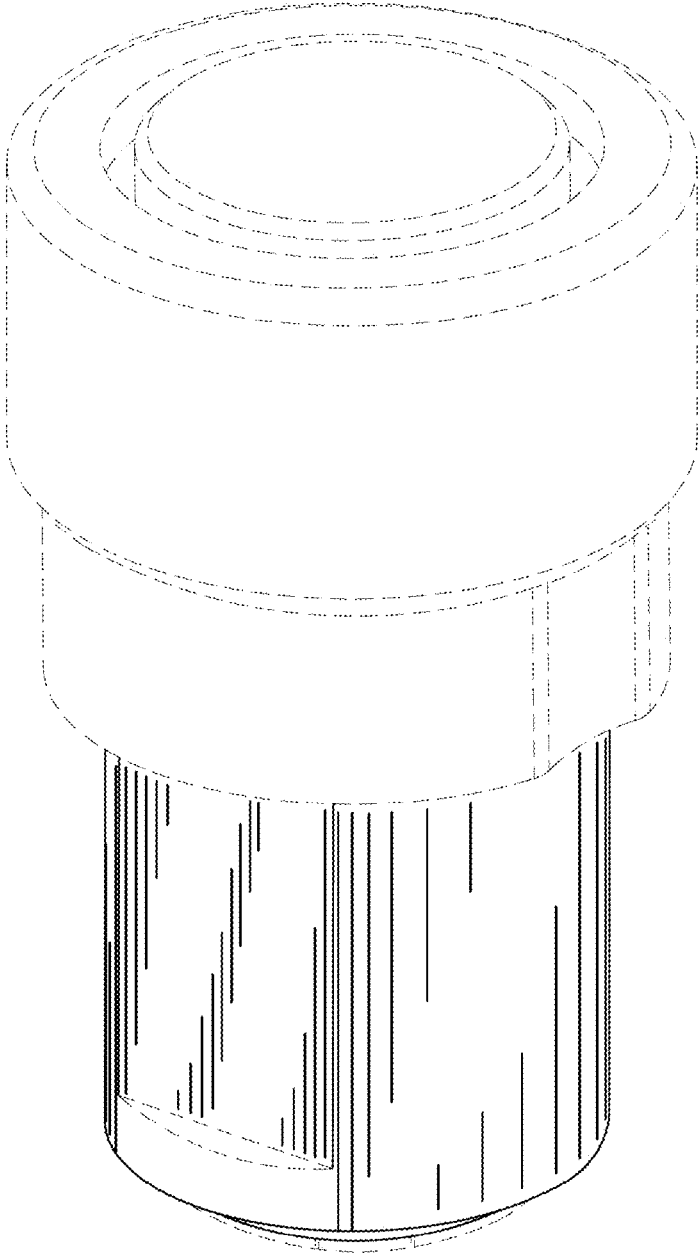


FIG. 1

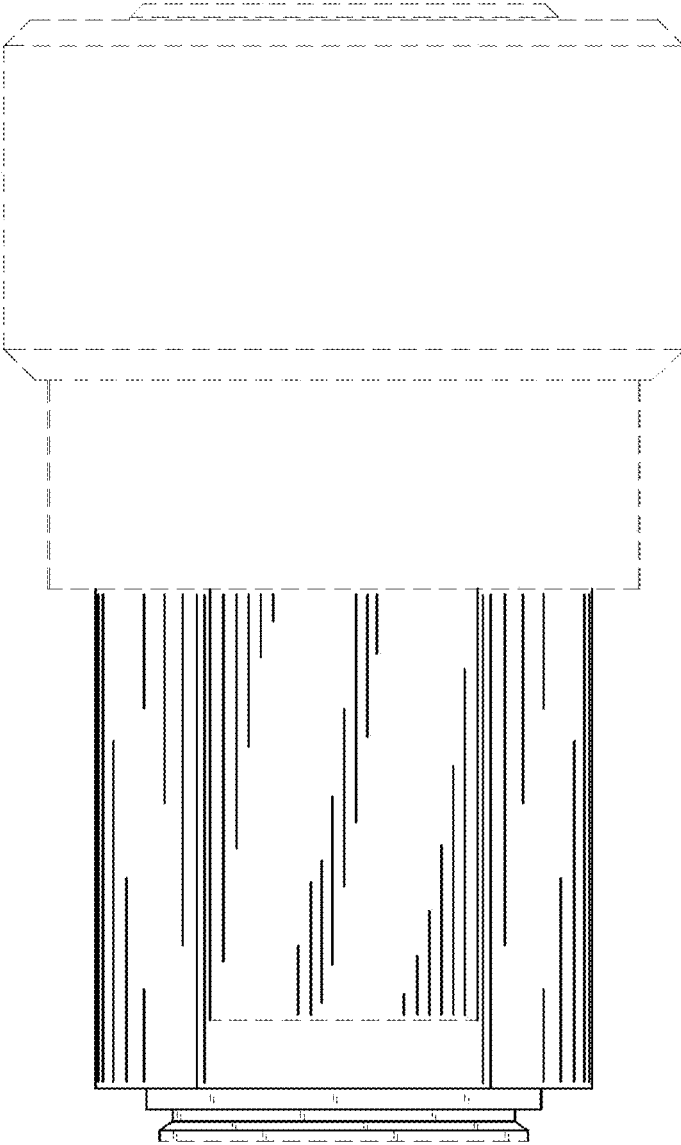


FIG. 2

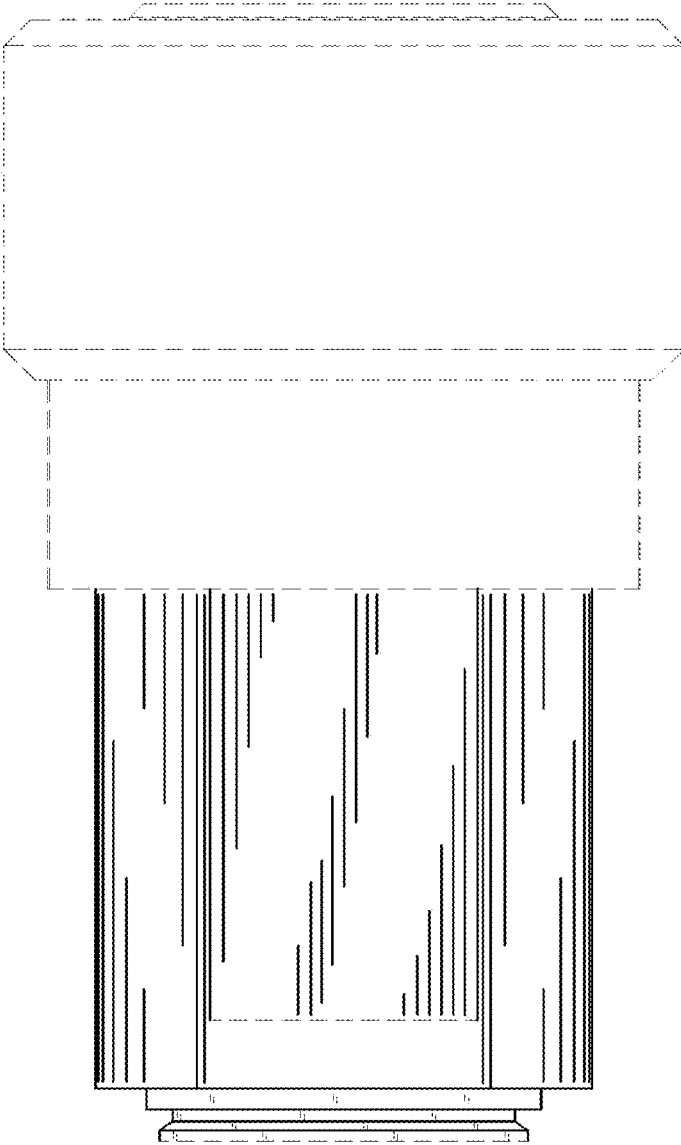


FIG. 3

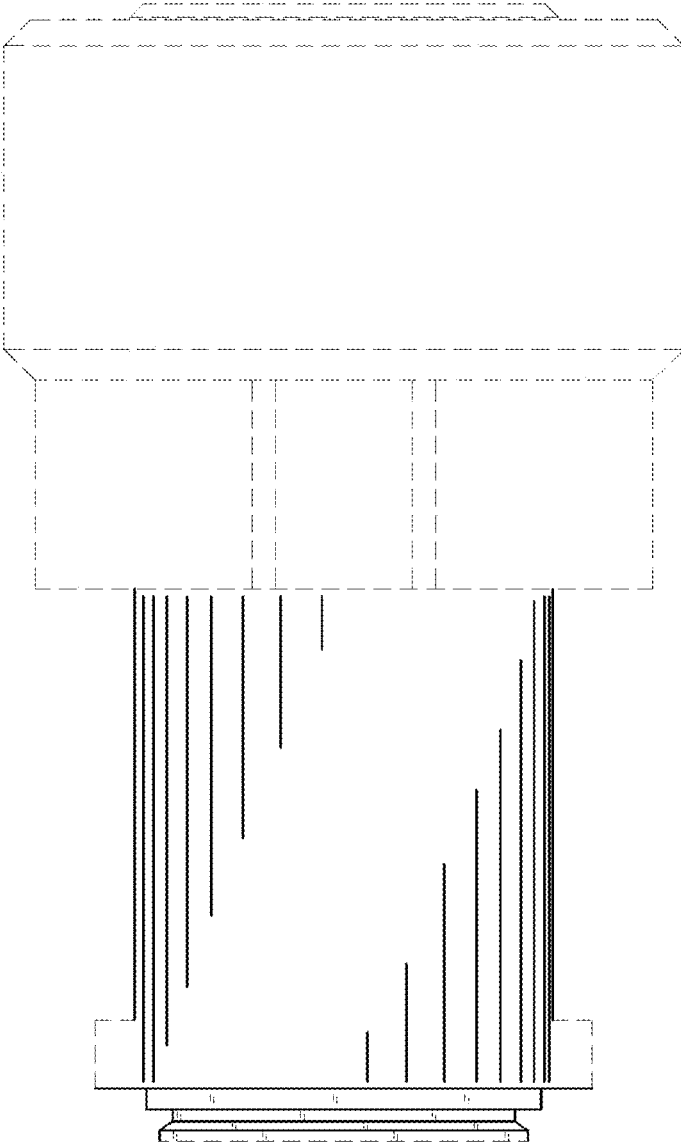


FIG. 4

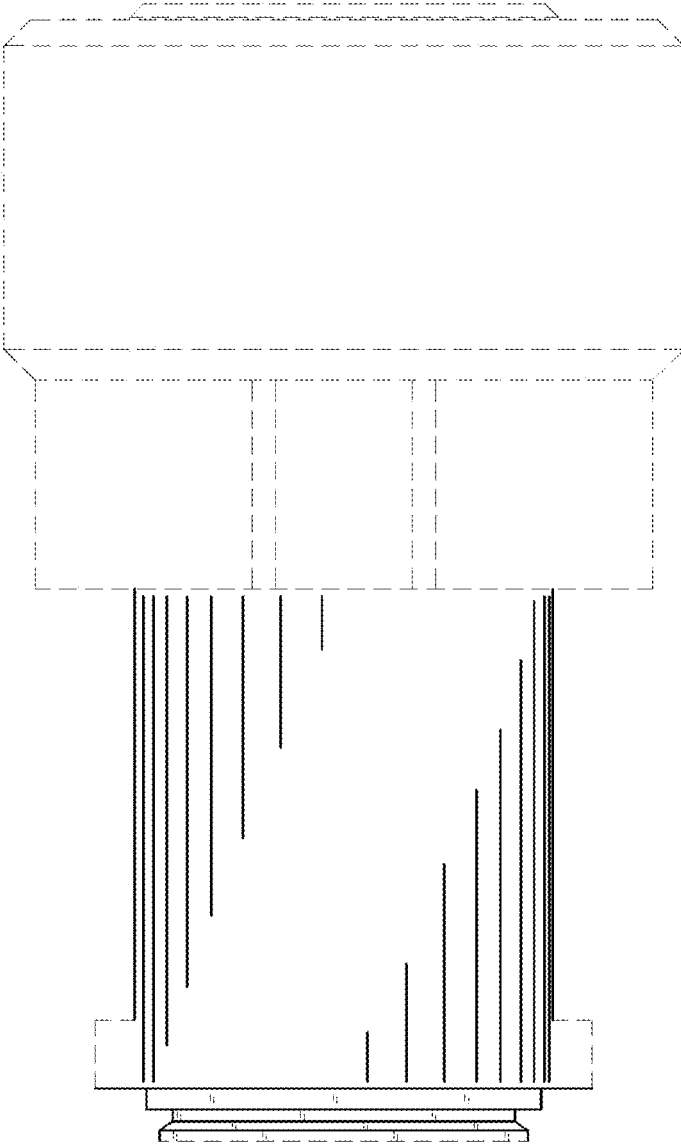
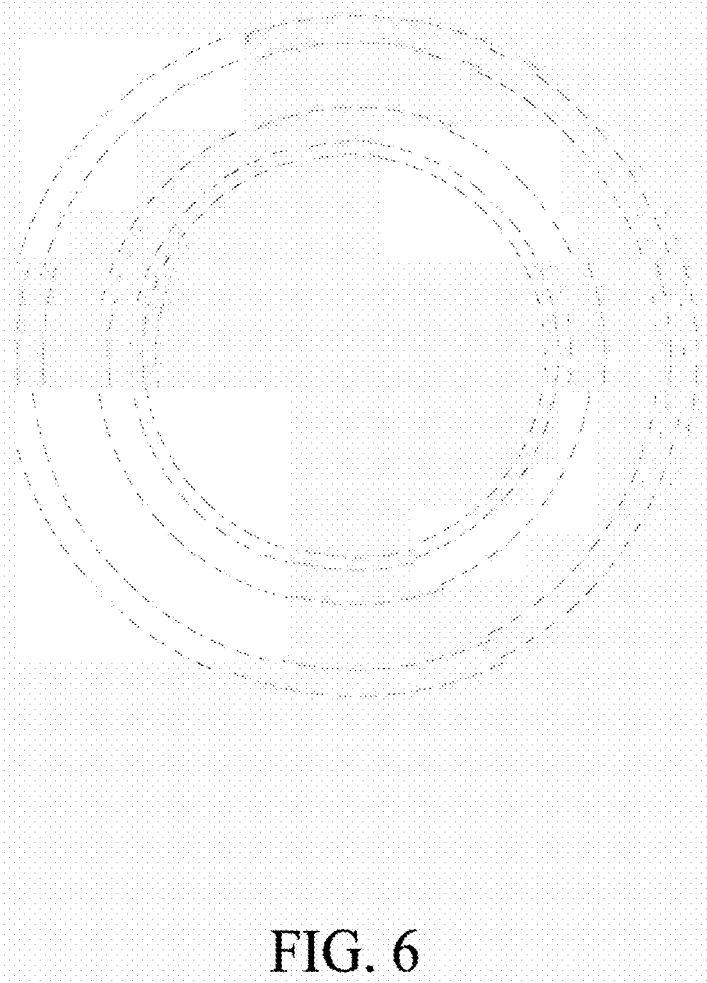


FIG. 5



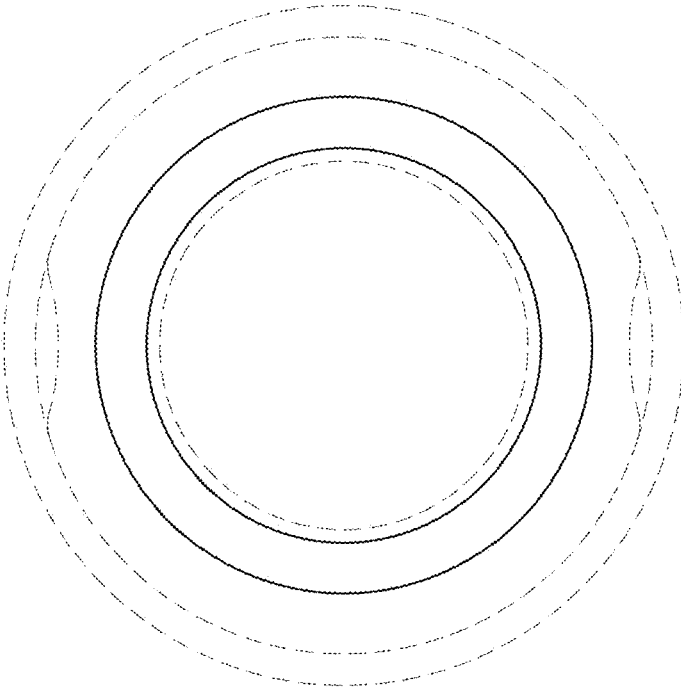


FIG. 7