

(19) World Intellectual Property Organization  
International Bureau



(43) International Publication Date  
8 June 2006 (08.06.2006)

PCT

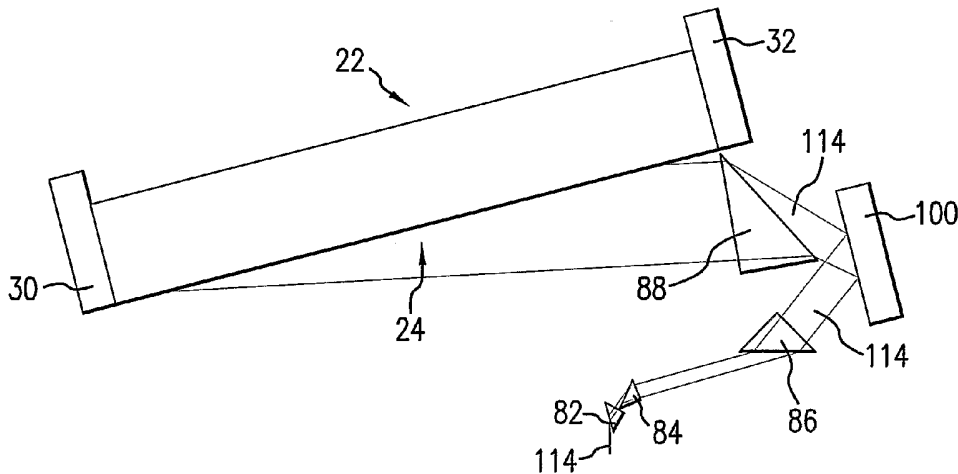
(10) International Publication Number  
WO 2006/060360 A3

- (51) International Patent Classification:  
H01S 3/22 (2006.01)
- (21) International Application Number:  
PCT/US2005/043056
- (22) International Filing Date:  
28 November 2005 (28.11.2005)
- (25) Filing Language: English
- (26) Publication Language: English
- (30) Priority Data:  
11/000,684 30 November 2004 (30.11.2004) US
- (71) Applicant (for all designated States except US): **CYMER, INC.** [US/US]; 17075 Thornmint Court, San Diego, Ca 92127-2413 (US).
- (72) Inventors; and
- (75) Inventors/Applicants (for US only): **ALGOTS, Martin, J.** [US/US]; 11015 Scripps Ranch Blvd., San Diego, CA 92131 (US). **BERGSTEDT, Robert, A.** [US/US]; 4348 El Capital Court, Carlsbad, CA 92008 (US). **GILLESPIE, Walter, D.** [US/US]; 13004 Pomard Way, Poway, CA 92064 (US). **KULGEYKO, Vladimir, A.** [US/US]; 12043 Alta Carmel Court, #112, San Diego, CA 92128 (US). **PARTLO, William, N.** [US/US]; 12634 Pedriza Drive, Poway, CA 92064 (US). **RYLOV, German, E.** [US/US];

- 12917 Yankton Drive, Poway, CA 92064 (US). **SANDSTROM, Richard, L.** [US/US]; 410 Bridoon Terrace, Encinitas, CA 92064 (US). **STRATE, Brian, D.** [US/US]; 12352 Grandee Road, San Diego, CA 92128 (US). **DYER, Timothy, S.** [US/US]; 11220 Camjen Lane, Auburn, CA 95603 (US).
- (74) Agent: **CRAY, William, C.**; Cymer, Inc., Legal Dept., MS/4-2C, 17075 Thornmint Court, San Diego, CA 92127-2413 (US).
- (81) Designated States (unless otherwise indicated, for every kind of national protection available): AE, AG, AL, AM, AT, AU, AZ, BA, BB, BG, BR, BW, BY, BZ, CA, CH, CN, CO, CR, CU, CZ, DE, DK, DM, DZ, EC, EE, EG, ES, FI, GB, GD, GE, GH, GM, HR, HU, ID, IL, IN, IS, JP, KE, KG, KM, KN, KP, KR, KZ, LC, LK, LR, LS, LT, LU, LV, LY, MA, MD, MG, MK, MN, MW, MX, MZ, NA, NG, NI, NO, NZ, OM, PG, PH, PL, PT, RO, RU, SC, SD, SE, SG, SK, SL, SM, SY, TJ, TM, TN, TR, TT, TZ, UA, UG, US, UZ, VC, VN, YU, ZA, ZM, ZW.
- (84) Designated States (unless otherwise indicated, for every kind of regional protection available): ARIPO (BW, GH, GM, KE, LS, MW, MZ, NA, SD, SL, SZ, TZ, UG, ZM, ZW), Eurasian (AM, AZ, BY, KG, KZ, MD, RU, TJ, TM), European (AT, BE, BG, CH, CY, CZ, DE, DK, EE, ES, FI,

[Continued on next page]

(54) Title: LINE NARROWING MODULE



(57) Abstract: A line narrowing method and module for a narrow band DUV high power high repetition rate gas discharge laser producing output laser light pulse beam pulses in bursts of pulses, the module having a nominal optical path are disclosed which may comprise: a dispersive center wavelength selection optic moveably mounted within an optical path of the line narrowing module, selecting at least one center wavelength for each pulse determined at least in part by the angle of incidence of the laser light pulse beam containing the respective pulse on the dispersive wavelength selection optic; a first tuning mechanism operative in part to select the angle of incidence of the laser light pulse beam containing the respective pulse upon the dispersive center wavelength selection optic, by selecting an angle of transmission of the laser light pulse beam containing the pulse toward the dispersive center wavelength selection optic; a second tuning mechanism operative in part to select the angle of incidence of the laser light pulse beam containing the respective pulse by changing the position of the dispersive center wavelength selection optic relative to the nominal optical path of the line narrowing module; wherein the second tuning mechanism coarsely selects a value for the center wavelength and the first tuning mechanism more finely selects the value for the center wavelength.



WO 2006/060360 A3



FR, GB, GR, HU, IE, IS, IT, LT, LU, LV, MC, NL, PL, PT,  
RO, SE, SI, SK, TR), OAPI (BF, BJ, CF, CG, CI, CM, GA,  
GN, GQ, GW, ML, MR, NE, SN, TD, TG).

*For two-letter codes and other abbreviations, refer to the "Guidance Notes on Codes and Abbreviations" appearing at the beginning of each regular issue of the PCT Gazette.*

**Published:**

- *with international search report*
- *before the expiration of the time limit for amending the claims and to be republished in the event of receipt of amendments*

**(88) Date of publication of the international search report:**

26 October 2006

**INTERNATIONAL SEARCH REPORT**

International application No.

PCT/US05/43056

**A. CLASSIFICATION OF SUBJECT MATTER**  
 IPC: **H01S 3/22( 2006.01)**

USPC: **372/55**  
 According to International Patent Classification (IPC) or to both national classification and IPC

**B. FIELDS SEARCHED**

Minimum documentation searched (classification system followed by classification symbols)  
 U.S. : 372/55

Documentation searched other than minimum documentation to the extent that such documents are included in the fields searched

Electronic data base consulted during the international search (name of data base and, where practicable, search terms used)

**C. DOCUMENTS CONSIDERED TO BE RELEVANT**

Category *	Citation of document, with indication, where appropriate, of the relevant passages	Relevant to claim No.
X	US 6,028,879 (ERSHOV) 22 February 2000 (22.02.2000), the entire document	65-76
X	US 2003/0107317 A1 (TOUCHBERRY et al.) 12 June 2003 (12.06.2003), the entire document	120

Further documents are listed in the continuation of Box C.  See patent family annex.

* Special categories of cited documents:	"T"	later document published after the international filing date or priority date and not in conflict with the application but cited to understand the principle or theory underlying the invention
"A" document defining the general state of the art which is not considered to be of particular relevance	"X"	document of particular relevance; the claimed invention cannot be considered novel or cannot be considered to involve an inventive step when the document is taken alone
"E" earlier application or patent published on or after the international filing date	"Y"	document of particular relevance; the claimed invention cannot be considered to involve an inventive step when the document is combined with one or more other such documents, such combination being obvious to a person skilled in the art
"L" document which may throw doubts on priority claim(s) or which is cited to establish the publication date of another citation or other special reason (as specified)	"&"	document member of the same patent family
"O" document referring to an oral disclosure, use, exhibition or other means		
"P" document published prior to the international filing date but later than the priority date claimed		

Date of the actual completion of the international search 27 June 2006 (27.06.2006)	Date of mailing of the international search report <b>15 AUG 2006</b>
Name and mailing address of the ISA/US Mail Stop PCT, Attn: ISA/US Commissioner for Patents P.O. Box 1450 Alexandria, Virginia 22313-1450 Facsimile No. (571) 273-3201	Authorized officer <i>[Signature]</i> Dung (Michael) T. Nguyen Telephone No. (703) 306-3329