



US00D375136S

# United States Patent [19]

Poore

[11] Patent Number: **Des. 375,136**

[45] Date of Patent: **\*\*Oct. 29, 1996**

[54] **INSECT ELIMINATOR STREET LIGHT**

[76] Inventor: **Marc Poore**, Box 502, Bradshaw, W. Va. 24817

[\*\*] Term: **14 Years**

[21] Appl. No.: **43,694**

[22] Filed: **Sep. 11, 1995**

[52] U.S. Cl. .... **D22/123; D26/87**

[58] Field of Search ..... D22/119, 123; D26/87; 43/112, 113, 98, 132.1, 107, 121; 362/253

[56] **References Cited**

**U.S. PATENT DOCUMENTS**

D. 245,506	8/1977	Kikoler	.....	D22/123
D. 293,014	12/1987	Davis	.....	D22/123
D. 365,887	1/1996	Pickett	.....	D26/87
3,059,373	10/1962	Gardner	.....	43/113
3,319,374	5/1967	Gawne	.....	43/113
4,251,945	2/1981	Tasma	.....	43/132.1 X

4,486,974 12/1984 Yavnieli ..... 43/113  
4,873,786 10/1989 Franco ..... 43/113 X

*Primary Examiner*—Doris V. Coles,  
*Attorney, Agent, or Firm*—Harold H. Dutton, Jr.; W. Charles L. Jamison; Diane S. Liebman

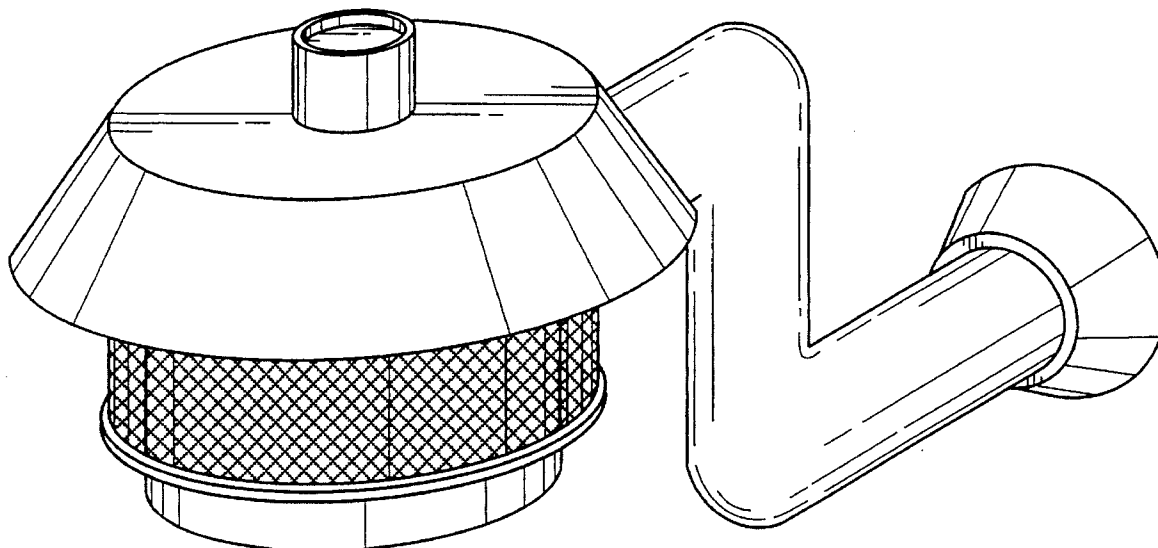
[57] **CLAIM**

The ornamental design for an insect eliminator street light, as shown and described.

**DESCRIPTION**

FIG. 1 is a perspective view of an insect eliminator street light showing my new design;  
FIG. 2 is a right side view thereof; The left side is a mirror image of the right side;  
FIG. 3 is a front view thereof;  
FIG. 4 is a rear side view thereof;  
FIG. 5 is a top view thereof; and,  
FIG. 6 is a bottom view thereof.

**1 Claim, 3 Drawing Sheets**



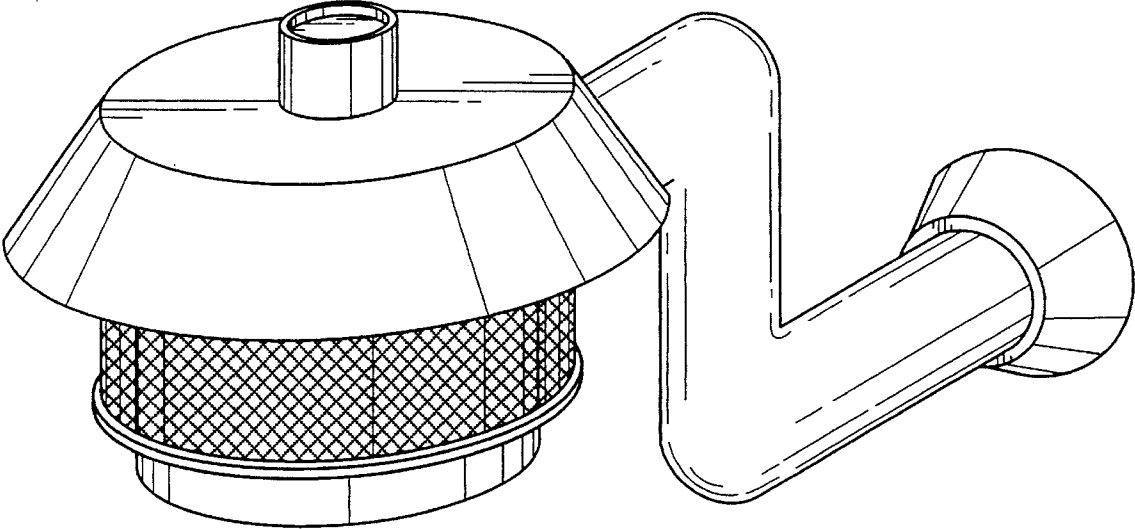


FIG. 1

FIG. 2

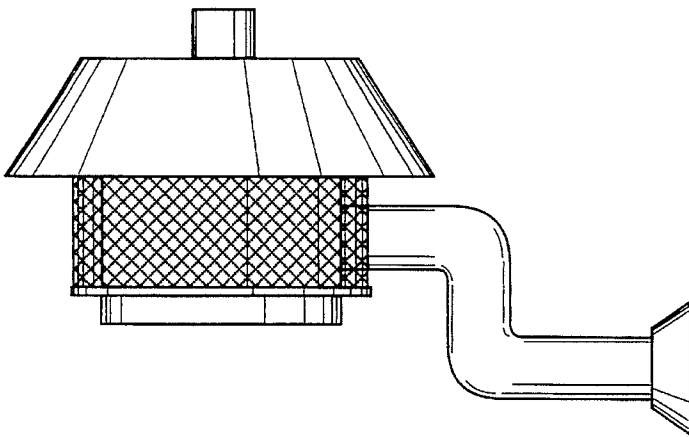


FIG. 3

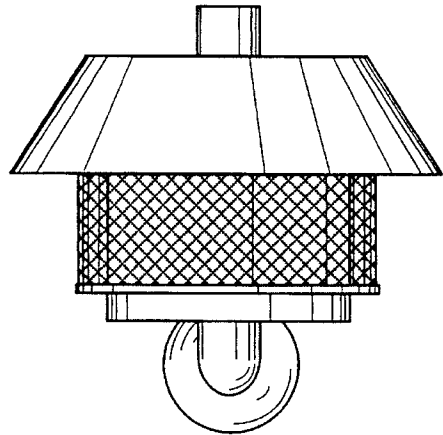


FIG. 4

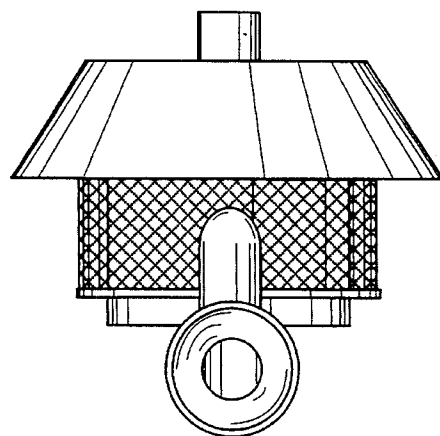


FIG. 5

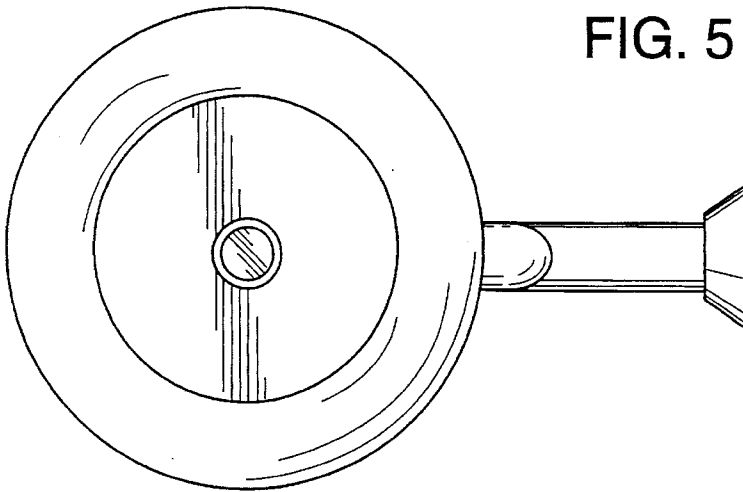


FIG. 6

