



US00D939293S

(12) **United States Design Patent**  
**Chen**

(10) **Patent No.:** **US D939,293 S**

(45) **Date of Patent:** **\*\* Dec. 28, 2021**

- (54) **VEGGIE CHOPPER**
- (71) Applicant: **Shuangma Plastic Manufacturing Inc,**  
Zhejiang (CN)
- (72) Inventor: **Cuihong Chen,** Zhejiang (CN)
- (\*\*) Term: **15 Years**
- (21) Appl. No.: **29/727,068**
- (22) Filed: **Mar. 8, 2020**
- (30) **Foreign Application Priority Data**

D548,025 S *	8/2007	Kaposi	.....	D7/672
D578,838 S *	10/2008	Hood	.....	D7/678
D618,517 S *	6/2010	Wong	.....	B26D 3/18
				D7/672
D729,595 S *	5/2015	Hauser	.....	D7/693
D729,596 S *	5/2015	Hauser	.....	D7/693
9,174,352 B2 *	11/2015	Repac	.....	B26D 3/26
D776,987 S *	1/2017	Repac	.....	B26D 3/185
				D7/672
D776,988 S *	1/2017	Repac	.....	D7/672
D777,537 S *	1/2017	Repac	.....	D7/672
D823,075 S *	7/2018	Repac	.....	D7/672
D858,218 S *	9/2019	Kaposi	.....	D7/674
D873,627 S *	1/2020	Chen	.....	D7/672
D929,825 S *	9/2021	Lu	.....	E05F 1/1215
				D7/678

Sep. 9, 2019 (CN) ..... 201930493934.7

- (51) **LOC (13) Cl.** ..... **07-04**
- (52) **U.S. Cl.**  
USPC ..... **D7/674**
- (58) **Field of Classification Search**  
USPC ..... D7/381, 383, 384, 412, 602, 637, 669,  
D7/672, 673, 674, 693, 695; D8/20, 28  
CPC .... A47J 9/00; A47J 17/02; A47J 43/04; A47J  
43/00; A47J 2201/00; B26B 1/00; B26B  
5/001; B26B 29/063; B26D 9/00; B26D  
3/00; B26D 3/11; B26D 3/18; B26D  
3/185; B26D 3/24; B26D 3/26; B26D  
3/28; B26D 2011/005; B26D 2210/00;  
B26D 2210/02; B26D 2210/04; B26D  
2210/08; B26D 7/225

See application file for complete search history.

(56) **References Cited**

U.S. PATENT DOCUMENTS

D499,615 S *	12/2004	Nordgren	.....	D7/674
D512,609 S *	12/2005	Kaposi	.....	D7/672
D543,422 S *	5/2007	Kaposi	.....	D7/674
D545,642 S *	7/2007	Wong	.....	D7/674
D548,022 S *	8/2007	Kaposi	.....	B26D 3/26
				D7/673

(Continued)

FOREIGN PATENT DOCUMENTS

CN 301991162 \* 7/2012

*Primary Examiner* — George D. Kirschbaum

*Assistant Examiner* — Darryl J Dardenne

(74) *Attorney, Agent, or Firm* — Prakash Nama; Global IP Services, PLLC

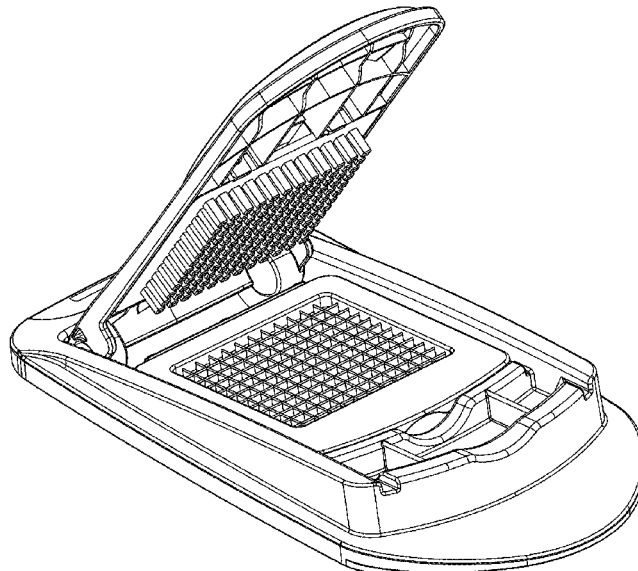
(57) **CLAIM**

The ornamental design for a veggie chopper, as shown.

**DESCRIPTION**

FIG. 1 is a front elevational view of a veggie chopper showing my new design;  
 FIG. 2 is a rear elevational view thereof;  
 FIG. 3 is a left side view thereof;  
 FIG. 4 is a right side view thereof;  
 FIG. 5 is a top plan view thereof;  
 FIG. 6 is a bottom plan view thereof;  
 FIG. 7 is a perspective view thereof;  
 FIG. 8 is a second perspective view thereof; and,  
 FIG. 9 is a third perspective view thereof.

**1 Claim, 9 Drawing Sheets**



(56)

**References Cited**

U.S. PATENT DOCUMENTS

2004/0055437	A1*	3/2004	Engdahl .....	B26D 3/26 83/597
2005/0178262	A1*	8/2005	Repac .....	B26D 3/185 83/684
2006/0090352	A1*	5/2006	Kaposi .....	B26B 5/008 30/299
2015/0217460	A1*	8/2015	Hauser .....	B26D 3/18 30/124
2015/0337889	A1*	11/2015	Repac .....	B26D 7/00 241/84.3
2015/0345200	A1*	12/2015	Repac .....	E05F 1/1215 241/84.3
2015/0367525	A1*	12/2015	Repac .....	B26D 7/00 83/167
2016/0075043	A1*	3/2016	Cotter .....	B26D 7/0608 83/167
2019/0263012	A1*	8/2019	Kaposi .....	B26D 3/26

\* cited by examiner

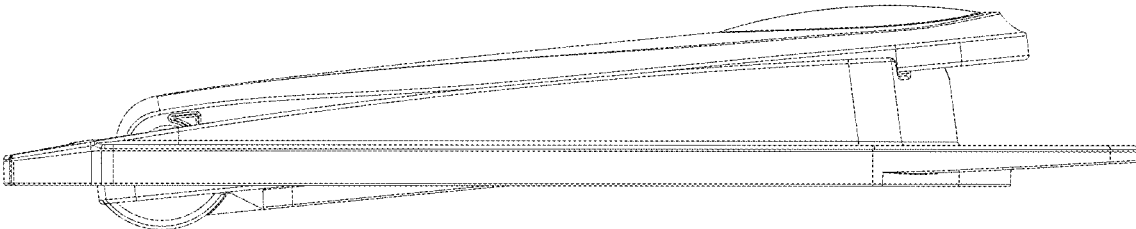


Fig. 1

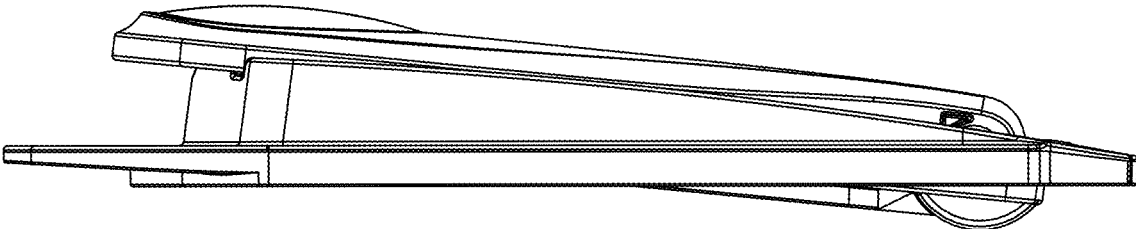


Fig. 2

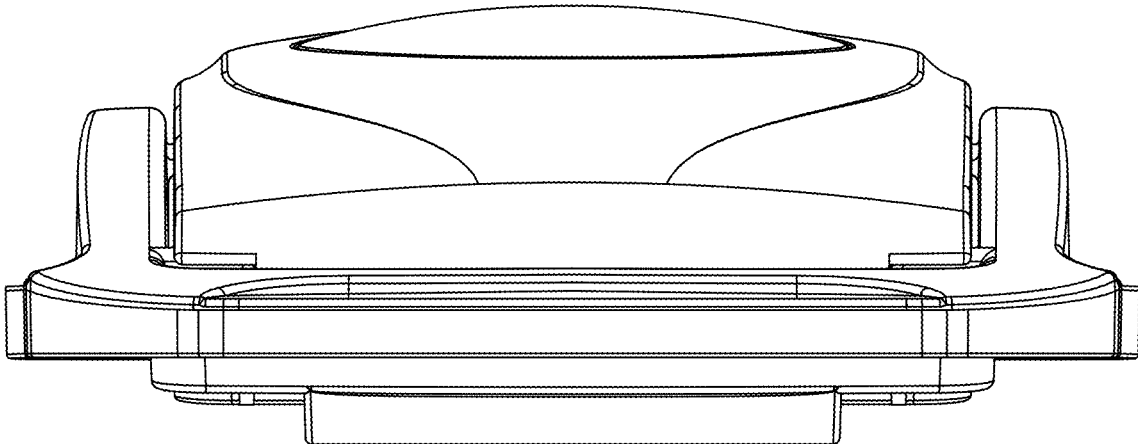


Fig. 3

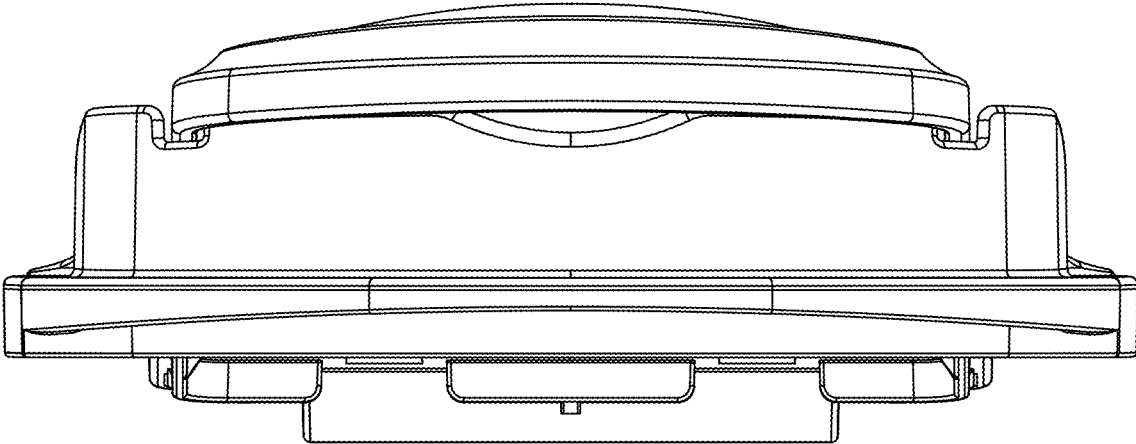


Fig. 4

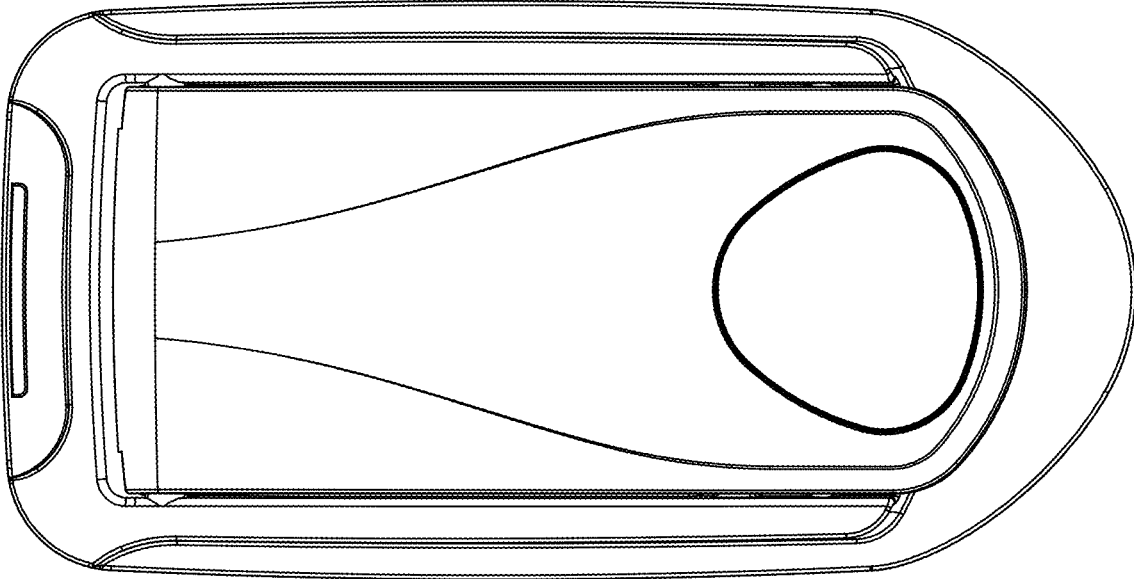


Fig. 5

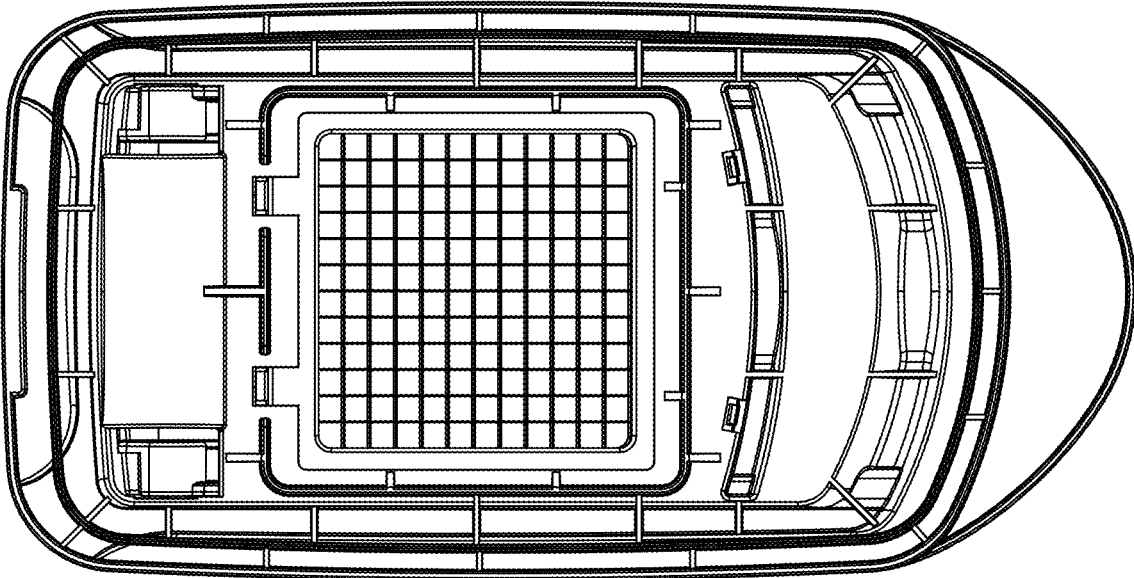


Fig. 6



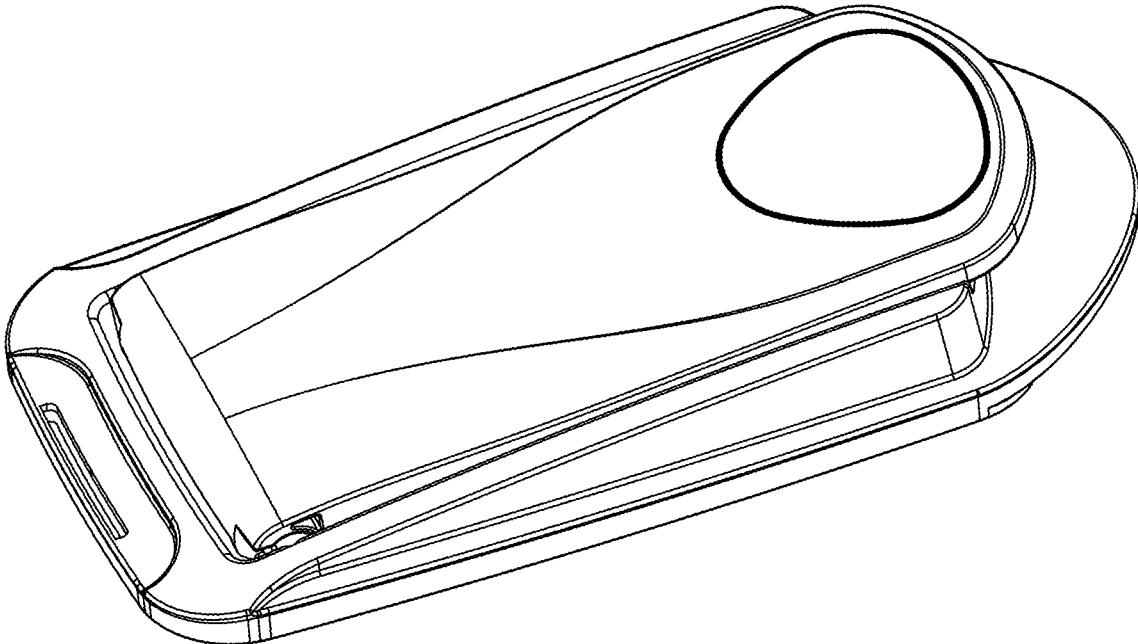


Fig. 7

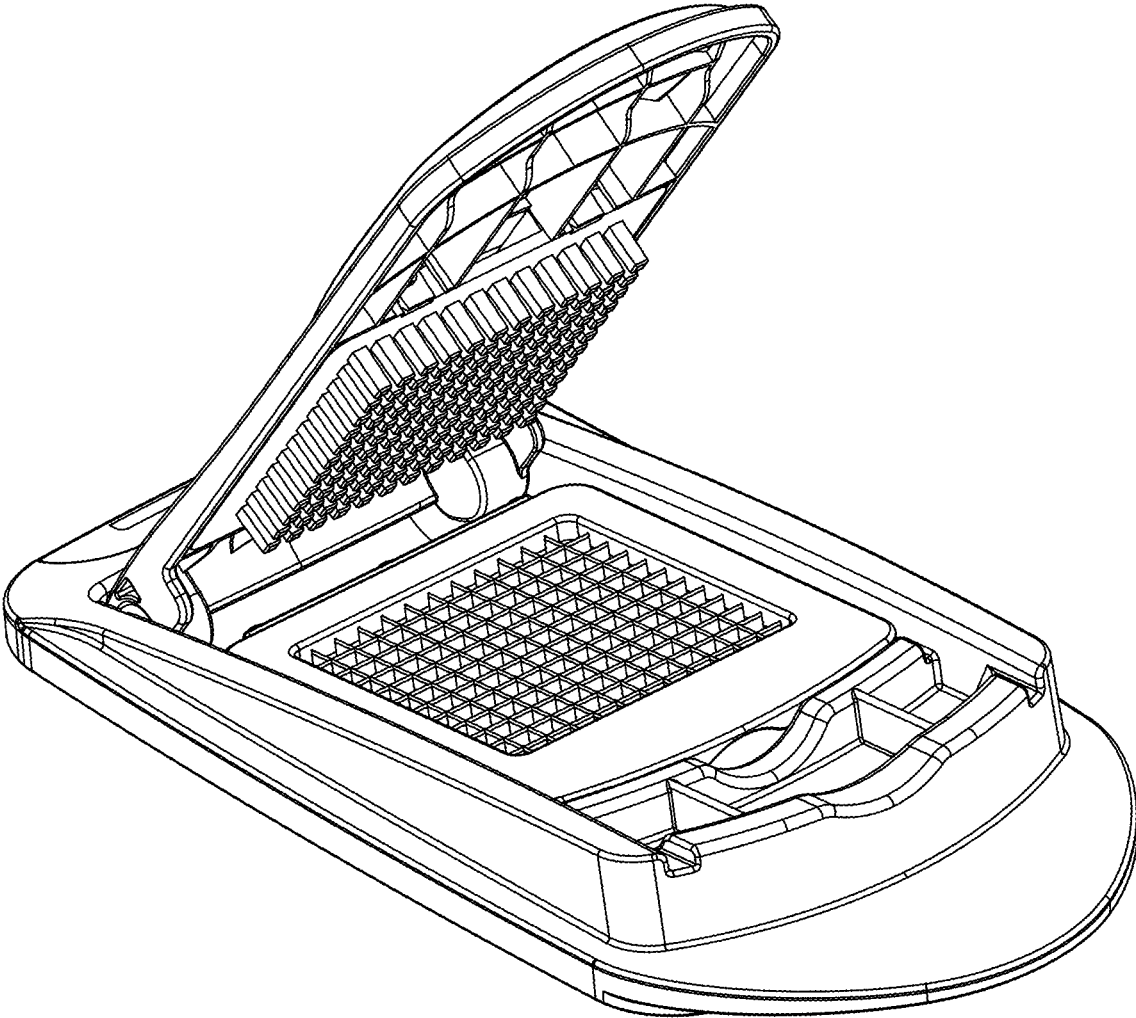


Fig. 8

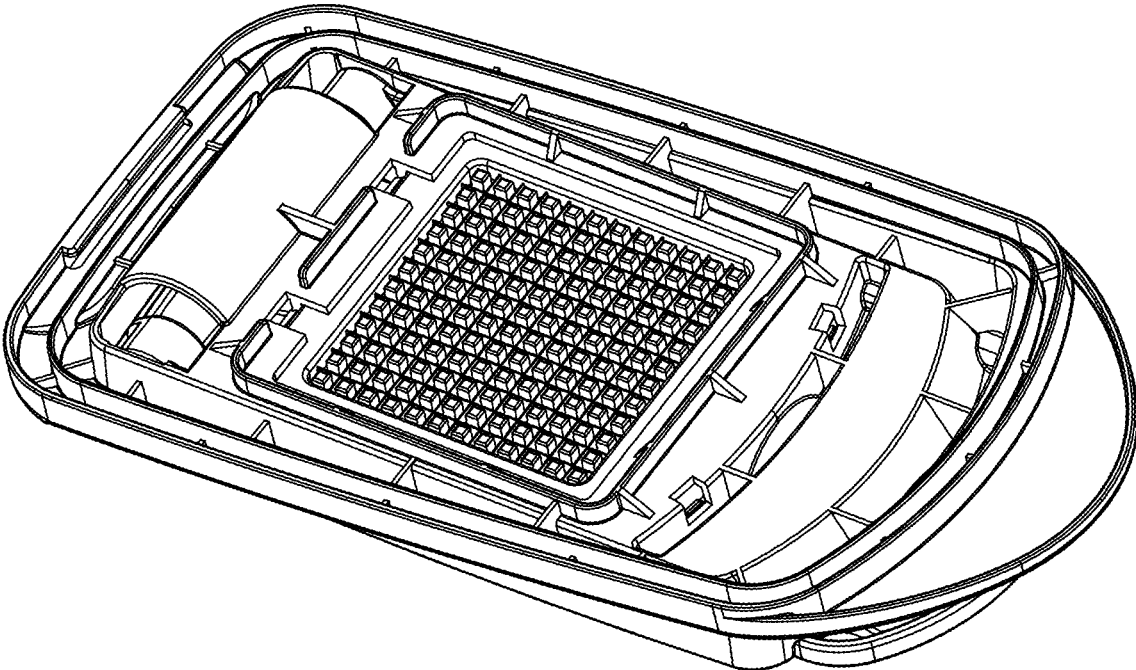


Fig. 9