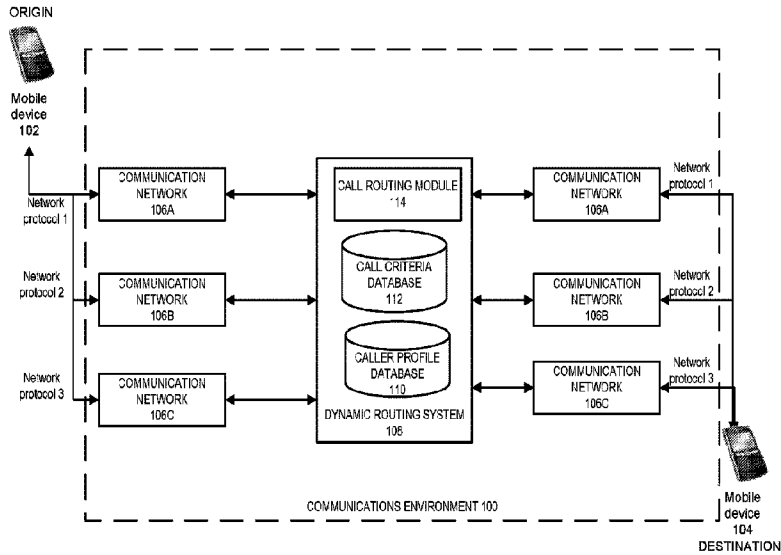




(86) Date de dépôt PCT/PCT Filing Date: 2019/04/30  
 (87) Date publication PCT/PCT Publication Date: 2019/11/07  
 (45) Date de délivrance/Issue Date: 2023/03/07  
 (85) Entrée phase nationale/National Entry: 2020/10/29  
 (86) N° demande PCT/PCT Application No.: US 2019/029972  
 (87) N° publication PCT/PCT Publication No.: 2019/213117  
 (30) Priorités/Priorities: 2018/05/01 (US62/665,103);  
 2019/04/19 (US62/836,571)

(51) Cl.Int./Int.Cl. *H04W 88/06* (2009.01),  
*H04W 36/14* (2009.01), *H04W 36/30* (2009.01),  
*H04W 48/18* (2009.01), *H04W 76/15* (2018.01)  
 (72) Inventeurs/Inventors:  
 RICE, CHARLES, US;  
 FOGEL, CHRISTOPHER, US  
 (73) Propriétaire/Owner:  
 INTERMETRO COMMUNICATIONS, INC., US  
 (74) Agent: SMART & BIGGAR LP

(54) Titre : DISPOSITIF DE RESEAU SANS FIL PLURIEL ACTIF  
 (54) Title: MULTIPLE ACTIVE NETWORK WIRELESS DEVICE



(57) **Abrégé/Abstract:**

A wireless device capable of using multiple SIM cards to simultaneously communicate with multiple cellular networks is presented. The wireless device is a dual-SIM dual-data active device that is capable of receiving and transmitting data packets over multiple cellular networks simultaneously or at substantially the same time. The wireless device may include a second set of antennas and internal hardware, including a second model and processor enabling the wireless device to communicate with at least two cellular networks. The wireless device may select a cellular network to perform a task, such as complete a call or download a video based on a difference in signal strength between the two or more cellular networks supported by the wireless device.

(12) INTERNATIONAL APPLICATION PUBLISHED UNDER THE PATENT COOPERATION TREATY (PCT)

(19) World Intellectual Property Organization  
International Bureau



(10) International Publication Number  
**WO 2019/213117 A1**

(43) International Publication Date  
07 November 2019 (07.11.2019)

(51) International Patent Classification:

H04W 88/06 (2009.01) H04W 36/30 (2009.01)  
H04W 48/18 (2009.01) H04W 76/15 (2018.01)  
H04W 36/14 (2009.01)

(72) Inventors: **RICE, Charles**; 2685 Park Center Drive, Bldg. A, Simi Valley, California 93065 (US). **FOGEL, Christopher**; 2685 Park Center Drive, Bldg. A, Simi Valley, California 93065 (US).

(21) International Application Number:

PCT/US2019/029972

(74) Agent: **ALTMAN, Daniel, E.**; KNOBBE, MARTENS, OLSON & BEAR, LLP, 2040 Main Street, 14th Floor, Irvine, California 92614 (US).

(22) International Filing Date:

30 April 2019 (30.04.2019)

(81) Designated States (unless otherwise indicated, for every kind of national protection available): AE, AG, AL, AM, AO, AT, AU, AZ, BA, BB, BG, BH, BN, BR, BW, BY, BZ, CA, CH, CL, CN, CO, CR, CU, CZ, DE, DJ, DK, DM, DO, DZ, EC, EE, EG, ES, FI, GB, GD, GE, GH, GM, GT, HN, HR, HU, ID, IL, IN, IR, IS, JO, JP, KE, KG, KH, KN, KP, KR, KW, KZ, LA, LC, LK, LR, LS, LU, LY, MA, MD, ME, MG, MK, MN, MW, MX, MY, MZ, NA, NG, NI, NO, NZ, OM, PA, PE, PG, PH, PL, PT, QA, RO, RS, RU, RW, SA, SC, SD, SE, SG, SK, SL, SM, ST, SV, SY, TH, TJ, TM, TN, TR, TT, TZ, UA, UG, US, UZ, VC, VN, ZA, ZM, ZW.

(25) Filing Language:

English

(26) Publication Language:

English

(30) Priority Data:

62/665,103 01 May 2018 (01.05.2018) US  
62/836,571 19 April 2019 (19.04.2019) US

(71) Applicant: **INTERMETRO COMMUNICATIONS, INC.**, [US/US]; 2685 Park Center Drive, Bldg. A, Simi Valley, California 93065 (US).

(54) Title: MULTIPLE ACTIVE NETWORK WIRELESS DEVICE

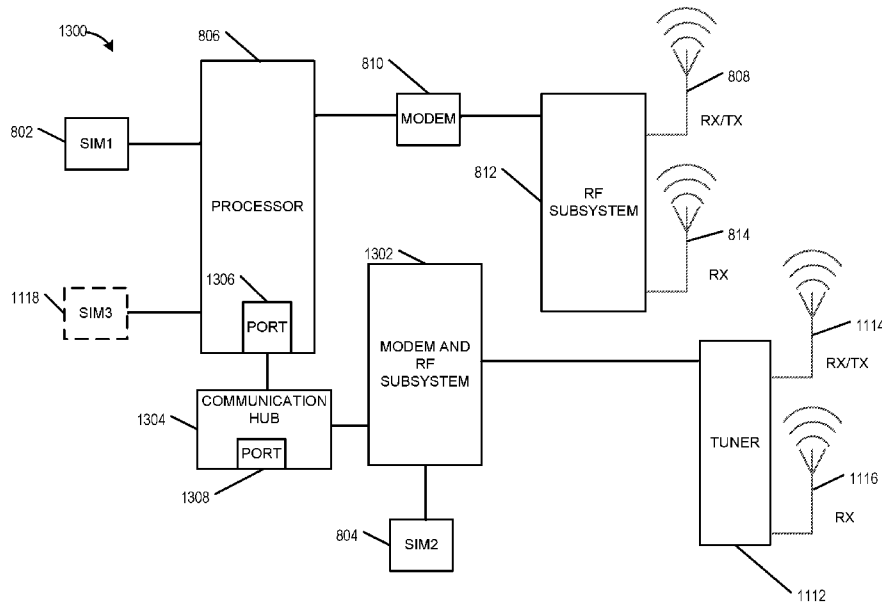


FIG. 13

(57) Abstract: A wireless device capable of using multiple SIM cards to simultaneously communicate with multiple cellular networks is presented. The wireless device is a dual-SIM dual-data active device that is capable of receiving and transmitting data packets over multiple cellular networks simultaneously or at substantially the same time. The wireless device may include a second set of antennas and internal hardware, including a second model and processor enabling the wireless device to communicate with at least two cellular networks. The wireless device may select a cellular network to perform a task, such as complete a call or download a video based on a difference in signal strength between the two or more cellular networks supported by the wireless device.



WO 2019/213117 A1

**WO 2019/213117 A1** 

**(84) Designated States** (*unless otherwise indicated, for every kind of regional protection available*): ARIPO (BW, GH, GM, KE, LR, LS, MW, MZ, NA, RW, SD, SL, ST, SZ, TZ, UG, ZM, ZW), Eurasian (AM, AZ, BY, KG, KZ, RU, TJ, TM), European (AL, AT, BE, BG, CH, CY, CZ, DE, DK, EE, ES, FI, FR, GB, GR, HR, HU, IE, IS, IT, LT, LU, LV, MC, MK, MT, NL, NO, PL, PT, RO, RS, SE, SI, SK, SM, TR), OAPI (BF, BJ, CF, CG, CI, CM, GA, GN, GQ, GW, KM, ML, MR, NE, SN, TD, TG).

**Published:**

— *with international search report (Art. 21(3))*

## **MULTIPLE ACTIVE NETWORK WIRELESS DEVICE**

### **FIELD**

**[0001]** This disclosure relates to communicating over multiple wireless networks such as cellular networks, and more particularly to maintaining communication channels over multiple data networks with each network configured using a different communication technology or set of frequency bands.

### **BACKGROUND**

**[0002]** Network protocols can be used to connect devices for mobile communications. One way of connecting devices is using the Global System for Mobile Communications (GSM) architecture and/or standard, which may employ time-division multiple-access (TDMA) protocols. Voice from one device can be transformed into digital data, and given a channel and a time slot. The receiving device can listen to the voice during the assigned time slot. Some network protocols that compete with GSM implement Code-Division Multiple Access (CDMA), which can connect calls using a code division system. Call data may be encoded with a unique key and multiple call data may be transmitted at once. The receiving device may use the unique key to identify the data associated with the specific call to which the receiving device is connected.

### **SUMMARY**

**[0003]** The systems, methods and devices that are the subject of this disclosure each have several innovative aspects, no single one of which is solely responsible for all of the desirable attributes disclosed herein. Details of one or more implementations of the subject matter described in this specification are set forth in the accompanying drawings and the description below.

**[0004]** In one embodiment, there is provided a wireless device configured to maintain communication channels over multiple data networks with each data network configured using a different communication technology or set of frequency bands. The wireless device includes a first primary antenna configured to transmit signals of a first transmit band and receive signals of a first receive band, and to transmit signals of a second transmit band and receive signals of a second receive band. The wireless device further includes a first diversity antenna configured to

receive the signals of the first receive band, and receive the signals of the second receive band, and a first radio frequency subsystem in electrical communication with the first primary antenna and the first diversity antenna, the first radio frequency subsystem configured to decode the signals of the first receive band and to decode the signals of the second receive band. The wireless device further includes a second radio frequency subsystem in electrical communication with the first diversity antenna, the second radio frequency subsystem configured to decode the signals of the first receive band and to decode the signals of the second receive band. The wireless device further includes a hardware processor in electrical communication with a first subscriber identity module, a second subscriber identity module, the first radio frequency subsystem, and the second radio frequency subsystem, wherein the first subscriber identity module is associated with a first wireless network that supports the first transmit band and the first receive band, and the second subscriber identity module is associated with a second wireless network that supports the second transmit band and the second receive band, and wherein the hardware processor is configured to control whether the first subscriber identity module or the second subscriber module uses the first radio frequency subsystem to communicate at a particular time period. The wireless device further includes a first modem connected between the first radio subsystem and the hardware processor. The first modem is configured to transmit a packet, using the first primary antenna, to one of the first wireless network or the second wireless network. The wireless device further includes a second modem connected to the hardware processor. The second modem is configured to transmit the packet using a second primary antenna. The wireless device further includes a communication hub configured to connect the second modem to the hardware processor.

**[0004a]** In another embodiment, there is provided a method of communicating over multiple cellular networks. The method involves using a hardware processor of a wireless device configured to communicate with a first cellular network over a first frequency band and a second cellular network over a second frequency band to perform the method. The method involves receiving, via a first primary antenna of the wireless device, a first signal of the first frequency band from the first cellular network, wherein the first cellular network is associated with a first subscriber identity module of the wireless device and the second cellular network is associated with a second subscriber identity module of the wireless device, and wherein the first subscriber identity module is designated for transmission of data packets. The method further involves receiving, via a first diversity antenna of the wireless device, a second signal of the second

frequency band from the second cellular network. The method further involves determining a first signal strength associated with the first cellular network based at least in part on the first signal. The method further involves determining a second signal strength associated with the second cellular network based at least in part on the second signal. The method further involves determining that the second signal strength exceeds the first signal strength. The method further involves transmitting first data packets via the first primary antenna to a target system over the second cellular network by designating the second subscriber identity module as the active subscriber identity module for transmitting the first data packets and designating the first subscriber identity module as not for transmitting the first data packets, wherein the first signal and the second signal are received during a first time period. The method further involves receiving, at a second time period, a third signal of the first frequency band from the first cellular network. The method further involves receiving, at the second time period, a fourth signal of the second frequency band from the second cellular network. The method further involves determining a third signal strength associated with the first cellular network based at least in part on the third signal and determining a fourth signal strength associated with the second cellular network based at least in part on the fourth signal. The method further involves determining that the third signal strength exceeds the fourth signal strength and transmitting second data packets via the first primary antenna to the target system over the first cellular network by designating the first subscriber identity module as the active subscriber identity module for transmitting the second data packets and designating the second subscriber identity module as not for transmitting the second data packets.

**[0004b]** In another embodiment there is provided a method of communicating over multiple cellular networks. The method involves using a hardware processor of a wireless device configured to communicate with a first cellular network over a first frequency band and a second cellular network over a second frequency band to perform the method. The method involves receiving, via a first primary antenna of the wireless device, a first signal of the first frequency band from the first cellular network. The first cellular network is associated with a first subscriber identity module of the wireless device and the second cellular network is associated with a second subscriber identity module of the wireless device. The first subscriber identity module is designated for transmission of data packets. The method further involves receiving, via a first diversity antenna of the wireless device, a second signal of the second frequency band from the

second cellular network. The method further involves determining a first signal strength associated with the first cellular network based at least in part on the first signal, determining a second signal strength associated with the second cellular network based at least in part on the second signal, determining that the second signal strength exceeds the first signal strength, transmitting first data packets via the first primary antenna to a target system over the second cellular network by designating the second subscriber identity module as an active subscriber identity module for transmitting the first data packets and designating the first subscriber identity module as not for transmitting the first data packets, receiving via a second primary antenna of the wireless device, a third signal of a third frequency band associated with a third cellular network, determining a third signal strength associated with the third cellular network based at least in part on the third signal, determining that the third signal strength exceeds the second signal strength, transmitting second data packets associated with a first priority over the third cellular network, and transmitting the first data packets over the second cellular network, wherein the first data packets are associated with a second priority that is lower than the first priority.

**[0004c]** In another embodiment there is provided a wireless device configured to simultaneously maintain communication channels over a plurality of data networks. The wireless device includes a first radio frequency subsystem including a first front-end module configured to process signals of a first receive band associated with a first data network and signals of a second receive band of a second data network, a second radio frequency subsystem including a second front-end module configured to process the signals of the first receive band associated with the first data network and the signals of the second receive band associated with the second data network, and a hardware processor in communication with the first radio frequency subsystem and the second radio frequency subsystem. The hardware processor is configured to control whether the first radio frequency subsystem communicates with the first data network associated with a first subscriber identity module of the wireless device or communicates with the second data network associated with a second subscriber identity module of the wireless device during a particular time period. The wireless device further includes a first modem connected to a first port of the hardware processor. The first modem is configured to transmit packets using the first radio frequency subsystem via a first antenna to one of the first data network or the second data network. The wireless device further includes a second modem configured to transmit packets using the second radio frequency subsystem via a second antenna to one of the first data network or the

second data network. The wireless device further includes a communication hub connected to a second port of the hardware processor and configured to connect the second modem to the hardware processor.

**[0005]** The wireless device can include any combination or sub-combination of the following features: where the wireless device further includes a first modem connected between the first radio frequency subsystem and the hardware processor, the first modem configured to transmit a packet using the first primary antenna to the first wireless network or the second wireless network; where the first modem is configured to determine whether the packet is a voice packet or a data packet; where the wireless device further includes: a first modem connected between the first radio subsystem and the hardware processor, the first modem configured to transmit a packet using the first primary antenna to one of the first wireless network or the second wireless network; and a second modem connected to the hardware processor, the second modem configured to transmit the packet using a second primary antenna; where the second modem is integrated with a second hardware processor configured to manage communication with a third wireless network; where the hardware processor serves as a primary device and the second hardware processor serves as a secondary device in a primary/secondary communication model; where the second modem is connected to the hardware processor via an auxiliary port of the hardware processor; where the wireless device further includes a communication hub configured to connect the second modem to the hardware processor; where the communication hub connects between an external data transfer or charging port of the wireless device and a data transfer or charging port of the hardware processor; where the second radio frequency subsystem is configured to receive the signals of the first receive band or the signals of the second receive band, and wherein the second radio frequency subsystem does not transmit signals; where the wireless device further includes a tuner in electrical communication with the first radio frequency subsystem, the first tuner configured to determine whether a received signal is a signal of a first channel access method or a signal of a second channel access method; where the first channel access method comprises one of code-division multiple access, wideband code-division multiple access, or time-division multiple access, and the second channel access method comprises one of code-division multiple access, wideband code-division multiple access, or time-division multiple access; where the hardware processor is further configured to determine a first signal strength of a connection with the first wireless network and

a second signal strength of a connection with the second wireless network based at least in part on the received signals of the first receive band, and the received signals of the second receive band;

where the hardware processor is further configured to determine whether to communicate with the first wireless network or the second wireless network based at least in part on the first signal strength or the second signal strength; and where the first wireless network is implemented using a first communication technology and is associated with a first service provider, and the second wireless network is implemented using a second communication technology and is associated with a second service provider.

### **BRIEF DESCRIPTION OF THE DRAWINGS**

**[0006]** Throughout the drawings, reference numbers are re-used to indicate correspondence between referenced elements. The drawings are provided to illustrate embodiments described herein and not to limit the scope thereof.

**[0007]** FIG. 1 illustrates an embodiment of a communications environment in accordance with the teachings of the present disclosure.

**[0008]** FIG. 2 illustrates a flow diagram for one embodiment of a dynamic call routing process in accordance with the teachings of the present disclosure.

**[0009]** FIG. 3 illustrates a diagram illustrating various network characteristics that can be used to determine which communications network provider and/or network protocol to use to connect the call in accordance with the teachings of the present disclosure.

**[0010]** FIG. 4 illustrates a flow diagram for one embodiment of a process for determining a call pattern and creating a caller profile in accordance with the teachings of the present disclosure.

**[0011]** FIG. 5 illustrates a diagram for one embodiment of geolocation profiling for determining a network protocol for a call in accordance with the teachings of the present disclosure.

**[0012]** FIG. 6 illustrates a flow diagram for one embodiment of a dynamic call routing process for routing based on source and destination network characteristics in accordance with the teachings of the present disclosure.

**[0013]** FIG. 7 illustrates a flow diagram for one embodiment of a dynamic call routing process for rerouting during a call in accordance with the teachings of the present disclosure.

**[0014]** FIG. 8 illustrates a comparative example of a dual-SIM wireless device.

[0015] FIG. 9 illustrates an example of cellular coverage across different communication technologies.

[0016] FIG. 10 illustrates an example of a dual-SIM dual-data active wireless device in accordance with certain embodiments.

[0017] FIG. 11 illustrates a second example of a dual-SIM dual-data active wireless device in accordance with certain embodiments.

[0018] FIG. 12 illustrates a third example of a dual-SIM dual-data active wireless device in accordance with certain embodiments.

[0019] FIG. 13 illustrates a fourth example of a dual-SIM dual-data active wireless device in accordance with certain embodiments.

[0020] FIG. 14 illustrates an example communication environment for communicating using a dual-SIM dual-data active wireless device.

## **DETAILED DESCRIPTION**

### **Introduction**

[0021] A number of routing systems decide how to route calls based on a single type of network protocol. In many cases, the communications devices are able to support a single type of network protocol, such as CDMA or GSM, which may implement a TDMA protocol or a CDMA protocol, or a subset of frequency bands used in cellular communication. In some embodiments, network protocols can include other network protocols that can be used to provide communication services to multiple users in a wired or wireless medium, such as frequency division multiple access (FDMA), orthogonal frequency division multiple access (OFDMA), spatial division multiple access (SDMA), WiFi technology, Bluetooth, Digital Enhanced Cordless Telecommunications (DECT), Near Field Communications (NFC), ZigBee, WiGig, Long-Term Evolution (LTE), and/or the like. In some such cases, the routing systems can route calls from one communications network provider to another communications network provider within the same network that implements the same type of network protocol. Limiting the routing of calls to communications network providers associated with networks using the same type of network protocol limits the availability of networks available for the call. Some networks that implement particular network protocols may provide better network connectivity at particular geographic or network locations than other networks that implement other network protocols. For example, a

GSM network may provide better service than a CDMA network at a particular location. Furthermore, if many calls are made using the same network in a particular area, the network may suffer decreased performance.

**[0022]** This disclosure describes a number of systems and associated processes that can dynamically route calls over one or more communication networks, which may be provided by one or more communication network providers. The communication networks may implement different network protocols, such as CDMA or GSM. Further, some communication networks may utilize the same network protocol, but using different frequency bands. Moreover, this disclosure describes certain criteria that can be used to automatically identify the appropriate network for a call based on the criteria. In some cases, the criteria may include a geographical location, which may be associated with a particular network. In some such cases, a mobile device that can support multiple protocols may have increased options for networks that can process a call compared to traditional communication systems.

**[0023]** Further, this disclosure describes a number of systems and associated processes that enable pattern recognition and profiling of certain call patterns that can be used to determine an optimal network for a call. In certain embodiments, determining a network over which to route a call can be based at least in part on network characteristics of both the source and destination devices of the call. Advantageously, in some embodiments, a dynamic routing system can route calls that were initially established with a first communications network implementing a first network protocol, which may implement GSM, to a second communications network implementing a second network protocol, which may implement CDMA. As such, if one network using one network protocol has reduced network performance, the call can be rerouted over a different network using another network protocol, which may be owned or maintained by a different communications network provider. These and other features are described in greater detail below with respect to the figures.

### **Example Communications Environment**

**[0024]** FIG. 1 illustrates an embodiment of a communications environment **100** in accordance with the teachings of the present disclosure. In the communications environment **100**, a mobile device **102** can make a call to a mobile device **104**. In the illustrated example, the mobile device **102** may be associated with a user who is initiating a call and may be referred to as the

origin of the call, and the mobile device **104** may be associated with a user who the caller desires to call and may be referred to as the target or destination for the call. However, it should be understood that the roles of the users, and consequently the roles of the mobile devices **102** and **104** may be reversed. The call is not limited in type and can include any type of call that may be performed over one or more communication networks that may implement one or more different communication protocols. For example, the call can be: a telephone call placed via mobile phone, a Voice over Internet Protocol (VoIP) call, or a modem call, to name a few. Further, the mobile device **102** and the mobile device **104** can include any user or organization capable of placing the call.

**[0025]** To establish the call connection between the mobile device **102** and the mobile device **104**, the call may be routed over one or more different communication networks provided or maintained by one or more communication network providers. In some cases, each communication network may be owned or maintained by a different communication network provider. However, in some embodiments, multiple communication networks may be maintained by a single communication network provider. For example, a provider may maintain a **3G** and **4G** network. Further, the provider may be implementing a **5G** network. Each of the **3G**, **4G**, or **5G** networks may implement versions of the same communication profile or may implement different communication profiles.

**[0026]** In one embodiment, the call is routed to a dynamic routing system **108**. The dynamic routing system **108** can determine one or more network protocols that are supported by a network **106** of a communications network provider. The communications environment illustrated three communication networks **106A**, **106B**, **106C**, which may individually be referred to as a communication network **106** or collectively referred to as communication networks **106**. For example, the dynamic routing system **108** may determine that a communication network **106A** can implement a network protocol **1**, a communications network **106B** can implement a network protocol **2**, and a communication network **106C** can implement a network protocol **3**. In some embodiments, the communication network **106A** and **106C** may both implement the network protocol **1**, but using different frequency spectrums or bands. The dynamic routing system **108** can be associated with one or more of the communication network providers or with any entity that can offer systems or services for facilitating optimal or improved routing over one or more of the communication networks based on one or more routing criteria. For example, the dynamic

routing system **108** may be configured to provide optimal or improved routing based on a criteria of improving call signal strength for calls or reducing dropped call rates for calls. Further, each communication network **106** can include a number of computing devices and/or telephony devices, such as session border controls and gateways, to facilitate communications within the communication network **106**, between a plurality of communication networks **106**, and/or with the dynamic routing system **108**. Some non-limiting examples of these computing devices are illustrated in FIG. **1** with respect to the dynamic routing system **108** and are described further below. Although FIG. **1** illustrates a particular embodiment of a configuration of the communications environment **100**, other configurations are possible. For example, other embodiments of the communications environment **100** may enable routing of calls directly to the dynamic routing system **108** prior to the calls being routed to a communication network **106**. In some embodiments, the communications networks **106** can communicate directly with other communication networks.

**[0027]** In certain embodiments, when routing a call, the dynamic routing system **108** can determine a network **106** to route the call based on a number of factors. These factors can include, for example: the origin of the call; the destination of the call; the price charged to the dynamic routing system **108** to route a call over a communication network **106** and/or the price charged by the dynamic routing system **108** to receive a call from a communication network **106**; network characteristics; geolocation of a caller; a pattern in historical call data; and/or the like. Some of these factors are discussed in more detail below.

**[0028]** In FIG. **1**, several potential communication paths exist to connect the mobile device **102** to the mobile device **104** via the communications network providers **106** and the dynamic routing system **108**. For example a call from the mobile device **102** may be routed from the communications network **106A** to the dynamic routing system **108**, from the dynamic routing system **108** to the communications network **106C**, and then from the communications network **106C** to the mobile device **104**. In some embodiments, the call from the mobile device **102** may be initially routed from the communications network **106A** to the dynamic routing system **108**. The dynamic routing system **108**, based on one or more routing criteria, may subsequently instruct the mobile device **102** to use the communication network **106B** to complete the call. Completing the call with the communications network **106B** may include initiating a new call to the mobile device **104** using the communication network **106B**. In certain embodiments, the initial call to the

dynamic routing system **108** and the subsequent call to the mobile device **104** may occur with or without knowledge of the user initiating the call on the mobile device **102**. Although a limited number of communication networks and call paths are illustrated in FIG. 1, it is possible for additional paths via additional communication networks to exist to connect the mobile device **102** with the mobile device **104**. Further, note that although only one dynamic routing system **108** is illustrated, it is possible for multiple dynamic routing systems **108** to exist and for each dynamic routing system **108** to communicate with a number of communication networks, such as the communications network providers **106** in FIG. 1 and other dynamic routing systems **108**.

**[0029]** In some embodiments, the dynamic routing system **108** includes a call routing module **114**, a call criteria database **112**, and a caller profile database **110**. In some implementations, the dynamic routing system **108** may include multiple call routing modules **114**, call criteria databases **112**, and/or caller profile databases **110**. Although illustrated as subsystems, it is possible in some embodiments for the call routing module **114**, call criteria database **112**, and/or caller profile database **110** to be separate systems that are external to the dynamic routing system **108** and with which the dynamic routing system **108** may communicate. The call criteria database **112** can include or store criteria for selecting a network using a particular network protocol by the call routing module **114**, as described further herein. The caller profile database **110** can store profile information of a caller, such as historical call data, a pattern identified for callers, geolocation of the caller, and/or the like.

**[0030]** The call routing module **114** can route a call initiated by the mobile device **102** across one or more communication networks **106**. To determine the one or more communication networks **106** upon which to route the call, the call routing module **114** can identify or determine call information associated with the call and use the identified information to facilitate selection of communication network **106**. The call information may include network characteristics such as throughput and latency, supported network protocols of the mobile devices and/or available communication networks for the call, supported communication frequencies, and/or the like. Further, in some embodiments, the call information may include price or rate information for a cell phone plan of the caller user and/or the recipient user, and/or price or rate information for one or more of the communication networks to route the call on behalf of the dynamic routing system **108** or the one or more other communication networks.

**[0031]** The call routing module **114** can include any system that can receive a call and determine where to route the call. The call may be received from a communications network **106**, an entity and/or processor associated with the communications network **106**, the mobile device **102**, the mobile device **104**, the dynamic routing system **108**, or any other system capable of providing the call to the call routing module **114**. Further, the call routing module **114** can include any system that can provide and/or route a call to another system. This call can be provided to a communications network **106**, an entity and/or processor associated with the communications network provider **106**, the mobile device **102**, the mobile device **104**, and/or any other system capable of receiving the call from the call routing module **114**. In addition, the call routing module **114** can include any system capable of providing and/or receiving call information associated with a call.

**[0032]** The call routing module **114** can prioritize and/or rank certain communications networks **106** or provider of communication networks. The call routing module **114** can include any system capable of receiving call information associated with a call and/or determining a ranked order routing list of networks **106** and/or communications network providers to which to route the call. For example, the call routing module **114** can be implemented by one or more computing systems and each computing system can include one or more processors.

**[0033]** In some embodiments, the call routing module **114** can rank a number of communications networks **106** to process a call. The call routing module **114** can receive call information associated with the call. Using the call information, the call routing module **114** can perform one or more ranking processes to determine a ranked routing list of communication networks. The ranked routing list can indicate a ranked order for communication networks and/or communication network providers that are capable of routing the call and that satisfy a set of network selection criteria. The call routing module **114** can include any system capable of determining the ranked order routing list for a call based on a number of criteria or factors. The call routing module **114** can rank the available networks **106** and/or communications network providers based on certain weighted values for the networks and/or communications network providers. For example, the weightings can be determined based on a network throughput capability, a price or profit margin when using a network and/or the communication network provider, a caller profile retrieved from the caller profile database **110**, a certain criteria of a call retrieved from the call criteria database **112**, such as a geographical location, a current number of

calls routed to the network **106**, a network and/or associated communication network provider rating, and/or the like.

### **Call Routing**

**[0034]** FIG. 2 illustrates a flow diagram for one embodiment of a dynamic call routing process **200** in accordance with the teachings of the present disclosure. The process **200** can be performed by any system capable of routing a call including a communications network **106** that initially received a call from the mobile device **102**, a communications network provider **106** that completed the final call connection to the mobile device **104**, a communications network between an initial network that received that call and a destination network that provided the call to the mobile device **104**, a dynamic routing system **108**, and/or the like. Although a number of different systems may perform some or all of the process **200**, to simplify discussion, the process **200** will be described with respect to particular systems.

**[0035]** The process begins at block **202** when, for example, the dynamic routing system **108** receives a call initiated by a mobile device **102**. In some embodiments, receiving a call may include receiving an indication that a user is attempting or likely to attempt to initiate a call. For example, when a user opens a dialer or other application on a phone or when a user enters or begins to enter a phone number to initiate a call, the process **200** may be initiated enabling the selection of a preferred network for completing the call prior to the call being initiated.

**[0036]** At block **204**, the dynamic routing system **108** determines the one or more network protocols supported by the mobile device **102**. The network protocols can include, for example, CDMA, GSM, or other supported cellular network protocols. Further, in some embodiments, the block **204** may include identifying one or more frequency bands and/or network providers supported by the mobile device **102**. In some embodiments, the dynamic routing system **108** can route among a variety of communication networks that may vary based on the protocol implemented, the frequency bands supported, the communications standards supported (for example **3G**, **4G**, or **4G LTE**) or other characteristics of the communication network that may, in some cases, impact which wireless devices can communicate with the communication network. For example, the dynamic routing system **108** may route a call between different GSM carriers, between different CDMA carriers, between a carrier implementing a **4G** communication standard and a carrier implementing a **3G** communications standard, and/or the like. To simplify discussion,

and not to limit the present disclosure, a number of embodiments disclosed herein are described with respect to routing a call between a GSM and a CDMA network.

**[0037]** At decision block **206**, the dynamic routing system **108** determines whether the user device supports a plurality of network protocols, such as a dual network protocol capability. This determination can be based, at least in part, on the determination that the user device supports both GSM and CDMA protocols, or other network protocols. In some embodiments, a network that supports a particular network protocol can be associated with one SIM card of a mobile device, and another network that supports a different network protocol can be associated with another SIM card of the mobile device.

**[0038]** If it is determined at the decision block **206** that the user device supports multiple network protocols, at block **210**, the dynamic routing system **108** identifies a first network **106A** that implements a first network protocol supported by the mobile device **102**. For example, the first communications network **106A** may implement a GSM protocol.

**[0039]** At block **212**, the dynamic routing system **108** identifies a first signal strength for a communication channel using the first communication network **106A**. Determining the signal strength may include sending a request to the mobile device **102** for a measurement of the first signal strength and/or may include receiving the measured first signal strength from the mobile device **102**. The communication channel may be between the mobile device **102** and an initial base station or cell tower of the communication network **106A**, which may be referred to as a first hop or first mile. Alternatively, or in addition, the first communication channel may include a greater portion of the communication channel between the mobile device **102** and the communication network **106A** and/or the mobile device **104**. In some cases, the signal strength is the signal strength between the mobile device **102** and the initial base station or cell tower.

**[0040]** At block **214**, the dynamic routing system **108** identifies a second network **106B** that implements a second network protocol supported by the mobile device **102**. For example, the second communications network **106C** may implement a CDMA protocol.

**[0041]** At block **216**, the dynamic routing system **108** identifies a second signal strength for a communication channel using the second communication network **106B**. In certain embodiments, the block **216** can include one or more of the embodiments described with respect to the block **212**.

[0042] At block 218, based at least in part on the first and second signal strengths, the dynamic routing system 108 can select a communication network associated with the higher signal strength for the mobile device 102 to route the call. Routing the call via the network for which the mobile device 102 has the highest signal strength may include providing the mobile device 102 with the identity of the network associated with the highest signal strength enabling the mobile device 102 to initiate the call with the communications network that offers the best signal strength for the mobile device 102 at the particular location and time when the process 200 was initiated. Alternatively, or in addition, the dynamic routing system 108 can cause the call to be routed to the communication network with the highest signal strength on behalf of the mobile device 102. In certain embodiments, the process 200 may be used to identify a network to route a call based on alternative or additional criteria to signal strength. For example, drop call rate, time-of-day pricing, available network bandwidth, or other information may be used to identify a network to route the call. In certain embodiments, the operations associated with the blocks 214 and 216 may be repeated for each communication network or communication network protocol supported by the mobile device 102 or with which the mobile device 102 is capable of communicating. For example, the operations may be repeated for the communication network 106C.

[0043] If it is determined at decision block 206 that the mobile device 102 does not support multiple network protocols, at the block 208, the call is routed to the network supported by the mobile device 102.

[0044] FIG. 3 illustrates a diagram identifying various network characteristics 300 that can be used to determine which network associated with a communications network provider and/or network protocol to use to connect the call in accordance with the teachings of the present disclosure. A non-limiting list of network characteristics 300 can include network latency 302, packet loss 304, an answer/seizure ratio 306, a call clarity rating 308, a dropped call rate 310, a network effectiveness ratio 312, a post dial delay 314, and/or the like. For example, the network latency 302 for a first network using the GSM protocol with a first communications network provider that supports the GSM protocol may be lower than that of a second network using the CDMA protocol with a second communications network provider that supports the CDMA protocol. In the example of block 216 of FIG. 2, the dynamic routing system 108 can route the call to a network using the GSM protocol because of the improved network latency 302 performance.

## **Call Pattern Identification and Profiling**

[0045] FIG. 4 illustrates a flow diagram for one embodiment of a process 400 for determining a call pattern and creating a caller profile in accordance with the teachings of the present disclosure. The process 400 can be performed by any system capable of determining a call pattern and/or creating and/or applying a caller profile. Although a number of different systems may perform some or all of the process 400, to simplify discussion, the process 400 will be described with respect to particular systems.

[0046] The process begins at block 402 when, for example, the dynamic routing system 108 identifies historical call data for a mobile device 102. In some embodiments, the historical call data is associated with a user or phone number associated with the mobile device 102. Thus, the historical call data may include historical data for multiple devices that are or have been associated with a user or phone number. The historical call data can include information relating to when calls are made, where the calls are made from (e.g., a home or business address, an urban or rural area, and the like), who is being called, and/or the like. For example, the historical call data may indicate that a particular user or mobile device 102 typically makes a call around 2:00 PM to a particular number each day, or on weekends.

[0047] At block 406, the dynamic routing system 108 identifies a pattern between the network and/or network protocol used, and a characteristic of the historical data for the user device 406. Using the identified patterns, a call profile can be established for the user or mobile device 102. For example, the dynamic routing system 108 can determine that a user initiates a call every evening from the user's home to a particular number (e.g., a number associated with the user's uncle). The dynamic routing system 108 can determine that the call occurs between a certain time period, such as between 8PM to 10PM. The dynamic routing system 108 can determine that the network that is frequently selected for this call or that provides the best signal strength is a particular network. The dynamic routing system 108 can establish criteria to automatically route the call to the particular network when a call is made that matches the profile created based on the historical data. In some embodiments, a machine learning process can be used to identify call profiles for a user or mobile device 102.

[0048] At block 408, the dynamic routing system 108 receives a call initiated by the mobile device 102, from a communications network. Receiving the call may include determining

characteristics associated with the call, such as time of day, identity of the caller, location of the caller, and the like. For example, the dynamic routing system **108** can determine whether the request is to and/or from a certain caller, is being made in a certain time frame and/or geolocation, a call type and/or the like. In one embodiment, identifying the call type can include, for example: identifying if the call origin and/or the call destination is international; identifying if the call is interstate; identifying if the call is intrastate; identifying if the call is a fax call; identifying if the call is a modem call; identifying if the call is a toll-free call; and identifying if the call is a premium-rate call, to name a few.

**[0049]** At decision block **410**, the dynamic routing system **108** determines whether the characteristics of the call matches characteristics of a call profile associated with the user or mobile device **102**.

**[0050]** If the characteristics of the call satisfy a particular call profile, the dynamic routing system **108** routes the call using communication a network identified in the call profile at block **412**. If the characteristics of the call do not satisfy a call profile, the dynamic routing system **108**, at block **414**, routes the call using a dynamic routing process, such as the process **200**. In some embodiments, the call may be routed using a traditional routing process at block **414**.

### **Geolocation Profiling**

**[0051]** FIG. **5** illustrates a diagram for one embodiment of geolocation profiling for determining a network for a call in accordance with the teachings of the present disclosure. In some embodiments, it may be determined that for a particular mobile device **102** or user that a particular network is preferred in a particular geographic location. For example, as illustrated in FIG. **5**, it may be determined that when a user is within Los Angeles, it is preferable to use a CDMA protocol for making calls because, for example, the CDMA protocol may provide increased signal strength or a lower dropped call rate. However, when a user or mobile device is in Orange County, it may be determined that it is preferable to make calls using a GSM protocol (e.g., over a GSM network) because, for example, the GSM protocol may provide increased signal strength or an improved call clarity compared to the CDMA network in the identified locations.

**[0052]** In some embodiments, the mobile device **102** and/or the dynamic routing system **108** can override the network selection indicated by the geolocation profile. For example, although it may generally be preferred to use a CDMA protocol in Los Angeles, the dynamic

routing system **108** may determine based at least in part on network characteristics at a particular time that the GSM protocol is preferred. In some such cases, the default selection of a CDMA protocol may be overridden based on the determined or measured network characteristics at the particular time.

### **Routing Based on Source and Destination Network Characteristics**

**[0053]** FIG. 6 illustrates a flow diagram for one embodiment of a dynamic call routing process **600** for routing a call based on both source and destination network characteristics in accordance with the teachings of the present disclosure. The process **600** can be performed by any system capable of routing a call including a communications network **106** that initially received a call from the mobile device **102**, a communications network **106** that completed the final call connection to the mobile device **104**, a communications network somewhere in between, a dynamic routing system **108**, and/or the like. Although a number of different systems may perform some or all of the process **600**, to simplify discussion, the process **600** will be described with respect to particular systems...

**[0054]** The process begins at block **602** when, for example, the dynamic routing system **108** receives a call initiated by a mobile device **102**, which may be referred to a source or origin device. In certain embodiments, the block **602** may include one or more of the embodiments described with respect to the block **202**.

**[0055]** At block **604**, the dynamic routing system **108** identifies or measures a network characteristic for the source device for each of a set of two or more supported communication networks. As previously described the supported communication networks may include networks of different vendors and/or networks that implement or support different network protocols. For example, if the source device can interact or communicate with both a GSM network and a CDMA network, the dynamic routing system **108** can determine a first signal strength associated with the source device communicating with the GSM network and a second signal strength associated with the source device communicating with the CDMA network.

**[0056]** At decision block **606**, the dynamic routing system **108** determines whether the difference between network characteristics of the two or more supported communications networks satisfies a threshold. For example, the dynamic routing system **108** can determine

whether a difference between the first signal strength and the second signal strength in the previous example satisfies a threshold signal strength difference.

**[0057]** If it is determined that the difference between the network characteristics do not satisfy the threshold, then at block **612** the dynamic routing system **108** determines whether the mobile device **104**, which may be referred to as the target or destination device, supports multiple communication networks. If the destination device supports multiple communication networks, at block **614**, the dynamic routing system **108** identifies or measures a network characteristic for the destination device for each of a set of two or more supported communication networks. This network characteristic may be the same network characteristic determined at the block **604**, or it may be a different network characteristic. For example, the dynamic routing system **108** may measure signal strength for the destination device with respect to each supported communication network as with the example described above with respect to the source device, or it may measure bandwidth. In some embodiments, both at the block **604** and the block **614**, the network characteristics may include or may be a combination of multiple network characteristics. At block **616**, the dynamic routing system **108** may complete the call using the communication network associated with the more desirable value. For example, the call may be completed with the communication network that has the highest signal strength or the lowest call drop rate for the destination device. If multiple communication networks are associated with the more desirable or better network characteristic value, an auxiliary selection process may be performed, such as a random communication network selection, a selection based on alternative network characteristics, a round-robin selection, a selection based on pricing, or a selection based on user preferences.

**[0058]** If it is determined at the decision block **612** that the destination device does not support multiple communication networks, a communication network is selected to complete the call using an auxiliary selection process. The auxiliary selection process may include selecting a communication network from the two or more communication networks supported by the source mobile device using a random communication network selection, a selection based on alternative network characteristics, a round-robin selection, a selection based on pricing, or a selection based on user preferences.

**[0059]** If it is determined at the decision block **606** that the difference between the network characteristics do satisfy a threshold, the dynamic routing system **108**, at block **608**, completes the call using the communication network associated with the better or more desired

network characteristics for the mobile device **102**. In certain embodiments, the block **608** may include one or more of the embodiments described with respect to the block **616**. In certain embodiments, the dynamic routing system **108** may complete the call using the selected communication network by identifying the selected communication network to the mobile device **102**. The mobile device **102** can then establish the call with the selected communication network. In some cases, establishing the call with the selected communication network may include initiating a new call with the selected communication network and transferring the audio from the call received at the block **602** to the new call. The establishing of a new call and/or the transfer of the existing call may occur without the knowledge of the user making or desiring to make the call using the mobile device **102**.

[0060] In some embodiments, a determination of a communication network to complete the call may be based at least in part on network characteristics for communication networks available to the source mobile device **102** and the destination mobile device **104**. In other embodiments, for a particular call, a communication network may be selected for the outgoing portion of the call placed by the mobile device **102** and a communication network may be selected for the incoming portion of the call to the mobile device **104**. Thus, a communication network **106A** may be selected for the mobile device **102** to make a call, while a communication network **106C** may be selected for the mobile device **104** to receive the call.

### **Rerouting During a Call**

[0061] FIG. 7 illustrates a flow diagram for one embodiment of a dynamic call routing process **700** for rerouting an ongoing call in accordance with the teachings of the present disclosure. The process **700** can be performed by any system capable of routing a call including a communications network **106** that initially received a call from the mobile device **102**, a communications network **106** that completed the final call connection to the mobile device **104**, a communications network somewhere in between, a dynamic routing system **108**, and/or the like. Although a number of different systems may perform some or all of the process **700**, to simplify discussion, the process **700** will be described with respect to particular systems.

[0062] The process begins at block **702** when, for example, the dynamic routing system **108** establishes a call between a source device **102** and a target device **104** using a first communication network **106**. Establishing the call may include selecting the first communication

network **106** using, for example, the process **200**, the process **600**, or any other process for selecting a communication network from among a plurality of communication networks. Further, establishing the call may include connecting the device **102** to the device **104** using the selected network. Alternatively, establishing the call may include providing the device **102** with an identity of the communication network enabling the device **102** to establish the call using the selected communication network.

**[0063]** At block **704**, the dynamic routing system **108** measures, or otherwise determines, a network characteristic for the first communication network, which may use a first network protocol. For example, the dynamic routing system **108** can determine a signal strength, a bandwidth, or a dropped call rate for the first communication network. For example, the network characteristic can include one or more network characteristics described in FIG. **3** above.

**[0064]** At decision block **706**, the dynamic routing system **108** determines if the measured network characteristic satisfies a threshold value. If the measured network characteristic satisfies the threshold, the process **700** returns to the block **704** where the dynamic routing system **108** may continuously, intermittently, or periodically measure the network characteristic. In some embodiments, a threshold can be determined based on an identified pattern. For example, a threshold can be determined based on a pattern identified in the historical data for a user device of FIG. **4**. The pattern can be identified between a network protocol and a characteristic of the historical data for the user device, and the threshold can be established based on this pattern. For example, the historical data for a user device can indicate a high packet loss for a mountainous region for the GSM protocol. If the user is traveling through the mountainous region at a later time using the CDMA protocol, the system may set the packet loss threshold to be higher for switching to the GSM protocol. In another example, the historical data for the user can indicate that the CDMA protocol has historically performed better (e.g., higher call clarity or less dropped calls) than the GSM protocol for the mountainous region. In some such cases, the system may automatically default calls to a network using the CDMA protocol. The system may switch to the GSM protocol based on an average difference between the historical performance of a network implementing a CDMA protocol and a network implementing a GSM protocol.

**[0065]** In some embodiments, the threshold can be a dynamic threshold. For example, a wireless device can be connected to a call using a first protocol. The system can identify performance of network characteristics for the first protocol. The system can also identify

performance of network characteristics for the second protocol. For example, as the caller is traveling from one destination to another while on the call, the performance of network characteristics for the first protocol may diminish, while the performance of network characteristics for the second protocol may improve. The threshold to switch the call from the first protocol to the second protocol can be dynamically adjusted based on the change of the performance of network characteristics for the first and second protocols. In one embodiment, the dynamic threshold can be adjusted based on an average of the performance of network characteristics for the first and second protocols. In another embodiment, the dynamic threshold can be based on the performance of the network characteristic for the first protocol diminishing below the performance of the network characteristic for the second protocol. For example, the dynamic threshold can be based on the performance of the network characteristic for the first protocol diminishing below the performance of the network characteristic for the second protocol for a particular time period.

**[0066]** If it is determined that the measured network characteristic does not satisfy the threshold, the dynamic routing system **108**, at block **708**, identifies a second available communication network, which may use a second network protocol that differs from the first network protocol. Alternatively, both networks may use the same network protocol, but may be maintained by different vendors and/or may use different frequency bands.

**[0067]** At the block **710**, the dynamic routing system **108** measures the network characteristic for the second communication network. The block **710** may include one or more of the embodiments described with respect to the block **704**.

**[0068]** At decision block **712**, the dynamic routing system **108** determines whether the network characteristic measured, or otherwise obtained, at the block **710** satisfies the threshold. If it is determined that the measured network characteristic for the second communication network does not satisfy the threshold, the process may return to the block **704**. In some embodiments, the time between successive measurements of the network characteristic at the block **704** may differ based on whether the process **700** returned to the block **704** from the decision block **706** or the decision block **712**. Further, in some embodiments, the time between successive measurements of the network characteristic at the block **704** may differ based on whether the user associated with the device **102** has moved a threshold distance. For example, the block **704** may be repeated more frequently for a user who is moving at more than a threshold rate, such as a user who may be in a

moving vehicle or is walking around a neighborhood or town. The process **700** may be performed more frequently when the user is moving than when the user is stationary, or relatively stationary, because the user may pass through more cell regions associated with different base stations. Alternatively, or in addition, the process may be performed more frequently when a user is moving (e.g., driving or walking) because the user may pass by more obstacles that can affect wireless coverage compared to when the user is stationary (e.g., sitting at home or at work). In some embodiments, the process **700** may end instead of returning to the block **704**.

**[0069]** If at decision block **712** it is determined that the network characteristic measured at the block **710** for the second communication network satisfies the threshold, the dynamic routing system **108**, at the block **714**, reroutes the call using the second communication network. Rerouting the call may include establishing a second call with the second communication network and transferring the audio to the second call after establishing the second call. The initial call may then be ended. In some embodiments, the dynamic routing system **108** reroutes the call by instructing the mobile device **102** to establish the new call and to switch the audio to the new call. In some embodiments, the call is rerouted without knowledge of the users involved in the call.

**[0070]** In some embodiments, the threshold used at the decision block **706** and the decision block **712** may differ. For example, the threshold to determine whether a network may exist that may provide better service or satisfy particular desired criteria (e.g., the threshold at the block **706**) may be lower than the threshold used to determine whether to select a new communication network to process the call (e.g., the threshold at the block **712**). Advantageously, by using different thresholds, it is possible to account for communication resource costs involved in switching or rerouting an existing call. Moreover, in certain embodiments, by using a higher threshold to determine whether to switch communication networks rather than a threshold used to determine whether additional networks exist, the continuous and repeated rerouting of calls between two networks can be reduced.

**[0071]** In certain embodiments, instead of, or in addition to, determining that the network characteristic of the second communication network satisfies a threshold, the decision block **712** may include determining whether the network characteristic for the second communication network is more than a threshold degree higher or better than the network characteristic for the first communication network. Advantageously, in certain embodiments, by

ensuring the second communication network is more than a threshold degree better than the first communication network before rerouting the call, the occurrence of continuous and repeated rerouting of calls between two networks can be reduced.

### **Dual-SIM Wireless Devices**

**[0072]** Cellular communication networks often use subscriber identity modules (SIM) to identify a user of a wireless device. The SIM card is often implemented as a type of smartcard or integrated circuit that is inserted into a wireless device and communicates with a processor of the wireless device and/or a communication network. The SIM card will include information that uniquely identifies the user and/or wireless device. For example, the SIM card may securely store an international mobile subscriber identity (IMSI) number and its related key. This information stored on the SIM card may be used to identify and authenticate users or subscribers of a mobile or wireless device. The SIM card may additionally include a unique serial number, such as an integrated circuit card identifier (ICCID), security authentication and ciphering information, temporary information related to a local network (e.g., a cellular or other wireless network), a list of services accessible by a user, and one or more passwords (e.g., a personal identification number (PIN), and a personal unblocking code (PUC) for PIN unlocking). The SIM card is often required to enable a wireless device to connect to and/or communicate with a particular cellular network associated with the SIM card. Further, a SIM card of one cellular network is often unusable for a wireless device to connect to and/or communicate with another cellular network. For example, a wireless device with a SIM card that enables communication with a T-Mobile® network typically cannot communicate with a Verizon® or ATT® network. A user desiring to communicate on the Verizon® or ATT® network must usually change the SIM card with one that is associated with the Verizon® or ATT® network.

**[0073]** Most wireless devices support a single SIM card and thus, most wireless devices can only communicate with a single cellular communication network at any given time. Some wireless devices may support two SIM cards enabling the wireless device to communicate with two cellular networks. However, typically only one SIM card may be active at a time. Thus, the wireless device can only communicate with a single cellular network associated with the active SIM card. Moreover, to switch SIM cards and communicate with another cellular network using the second SIM card, the wireless device typically must be reset or restarted, or the network

subsystem at a minimum must be rebooted. When the wireless device is restarted or rebooted, the second SIM card can be selected as the active SIM card.

**[0074]** Often, if inconvenient at all, the restarting of the wireless device or the network subsystem of the wireless device is only a minor inconvenience because, for example, users often only switch SIM cards and/or cellular networks when travelling to a different country. In such cases, the phone is usually turned off or is in “airplane” mode during transit. Thus, the switching of SIM cards may be considered part of the turning on of the wireless device at the new location.

**[0075]** However, beyond travelling between countries or distant geographic locations associated with different cellular networks, there may be additional times when it can be beneficial to change cellular networks. For example, as a user travels in a more limited area or within a particular country, the coverage area or strength of a particular cellular network may vary. Usually a user’s quality of service when using the wireless device corresponds to limitations of the particular cellular network subscribed to by the user. However, in some cases, it is desirable to maintain an improved quality of service by switching between cellular networks to maintain service using the cellular network that provides the best connection or highest signal strength in any particular area. Further, it may be desirable to have connections to multiple cellular networks simultaneously to improve multitasking with the wireless device. For example, a user may desire to download or stream content (e.g., music, movies, or games) from one or more content providers simultaneously, and/or while on a voice call with another user. In some such cases, each service or action may affect the quality of service or the other service or action when performed during connection to a single cellular network. However, by connecting to multiple cellular networks, it is possible to perform multiple tasks with minimal impact on each task. Moreover, it is possible to assign higher priority tasks, or tasks that require more bandwidth (e.g., high-definition content download) or a better connection to one cellular network while assigning lower priority tasks or tasks that require less bandwidth (e.g., a voice call) to another cellular network that may have lower signal strength.

**[0076]** Embodiments disclosed herein present a system and methods that enable a wireless device to communicate over multiple cellular networks without the aforementioned problems. For example, embodiments disclosed herein present a wireless device that is capable of communicating with multiple cellular networks at the same time, or substantially the same time, without requiring the wireless device to be reset or to reboot some or all of the wireless device.

Further, embodiments disclosed herein present a wireless device that can switch the cellular network that is performing a task (e.g., downloading media, performing a voice call) prior to performing the task and/or during the task without downtime or loss of access to the cellular network during the transition between cellular networks.

[0077] FIG. 8 illustrates a comparative example of a portion of a dual-SIM wireless device **800**. As illustrated, the wireless device **800** may include two SIM cards **802**, **804** that may communicate with a processor **806**. The processor **806** may control communication with a pair of cellular networks associated with the SIM cards **802**, **804**, respectively. Further, the wireless device **800** includes a single or primary antenna **808** for transmitting and receiving voice or data packets over a cellular network. The wireless device **800** further includes a modem **810** and RF subsystem **812**, which may include a front-end module, filter, or other radio frequency hardware for separating or combining signals that are received or are to be transmitted over the cellular network. The modem **810** may convert data for transmission via the primary antenna **808**. The modem **810** can convert digital data packets to modulated electrical signals for transmission via the primary antenna **808**. The RF subsystem **812** may include radio frequency diplexers, duplexers, and amplifiers for facilitating transmission and reception of wireless signals. For example, the RF subsystem **812** may include a front-end module configured to filter and amplify (e.g., using a low noise amplifier) a received signal. Further, the front-end module may further include one or more power amplifiers for amplifying a signal for transmission.

[0078] The wireless device may include a diversity antenna **814** that may be used to help determine signal strength. The diversity antenna **814** may obtain an independent sample from signals received by the wireless device. These independent samples may be used to measure the signal strength of signals received from the cellular network associated with the SIM card **802** or the SIM card **804**. Typically, the diversity antenna is for receive only and does not transmit signals, including voice or data packets. As such, the wireless device does not include a modem in connection with the diversity antenna **814**.

[0079] To switch between networks associated with the SIM **802** or SIM **804**, the wireless device **800** may be rebooted or turned off and then back on. Alternatively, the network subsystem may be reset. In either case, communication with a cellular network is generally not maintained while the active SIM is switched between SIM **802** and SIM **804**.

[0080] FIG. 9 illustrates an example of cellular coverage across different communication technologies. Each of the circles represents the coverage of a single base station implementing a particular communication technology. For ease of illustration, some circles associated with 4G and/or 5G communication are omitted. However, it should be understood that more circles representing more base stations may exist to cover more of the geographic area represented by the circle 902.

[0081] The circle 902 may represent a geographic area with 3G cellular coverage provided by a single 3G base station. A base station implementing 3G communication technology may have wider geographic coverage compared to base stations that implement 4G or 5G communication technology as represented by the circles 904 and 906. Thus, more 4G or 5G base stations may be required to cover the same geographic area as a 3G base station. Further, more base stations implementing 5G technology may be required than base stations implementing 4G technology to cover the same geographic area. Thus, although newer cellular communication technologies may provide benefits, such as improved bandwidth or improved download/upload speeds, the coverage may be worse in particular geographic areas. It is therefore desirable to have wireless devices that can take advantage of different competitors' cellular networks to improve the chance of optimal coverage in any particular area. For example, it is advantageous to have a wireless device that can communicate over 2, 3, or more cellular networks without input from a user and/or without restarting or rebooting the wireless device or the network subsystem, which may include one or more pieces of hardware that facilitate communication over a network, of the wireless device.

#### **Example Dual-SIM and Dual-Data Active Device**

[0082] FIG. 10 illustrates an example of a portion of a dual-SIM dual-data active wireless device 1000 in accordance with certain embodiments. As discussed above, with respect to the wireless device 800, a wireless device may have multiple SIM cards. Such a device may be referred to as a dual-SIM device. As previously discussed, the dual-SIM device can only communicate with a single communication or cellular network at a time using a single SIM card. To communicate using the second SIM card, the wireless device must be reset to switch the active SIM card to the second SIM card.

**[0083]** A dual-SIM dual-data active wireless device enables a wireless device to communicate with multiple cellular networks using multiple SIM cards without needing to reset the wireless device, or network subsystem, which can cause temporary loss of a connection for a period of time, e.g., **20**, **30**, or **45** seconds. Although the temporary loss of connection may be acceptable when the wireless device is not in use, it can be problematic during a call or when the wireless device is accessing content on a network. A dual-SIM dual-data active wireless device may include a wireless device that can transmit and/or receive data packets on two cellular networks associated with two different SIM cards at the same time, or substantially the same time (e.g., within **1**, **2**, or **5** microseconds apart, or close enough in time that a user does not experience a loss or reduction in service).

**[0084]** In some embodiments, data packets transmitted over one cellular network may be associated with a first task, and data packets transmitted over another cellular network may be associated with the first task or a second task. For example, the first task may be accessing media at a first network site or from a first media service and the second task may be a voice call with another user or accessing media from another network site or media service. The data packets may be received or transmitted over the two cellular networks simultaneously or sufficiently close enough in time such that a user does not notice an interruption in services or an interruption in the performance of either the first task or the second task. In other words, in certain embodiments, the user may download content from a media site over the first communication network while talking to another user over the second communication network without any interruption in either task.

**[0085]** The wireless device **1000** of FIG. **10** includes a number of similar elements as the wireless device **800** as indicated by the re-use of certain reference numbers. The wireless device **1000** may be, or may mimic, a dual-SIM dual-data active wireless device in that the wireless device **1000** can receive communications from multiple cellular networks simultaneously, and can transmit across multiple cellular networks. However, at a particular point in time, the wireless device **1000** transmits across one cellular network. The wireless device may switch the active SIM associated with the desired cellular network dynamically and without restarting the wireless device enabling the wireless device **1000** to function similarly to a dual-SIM dual data active wireless device.

**[0086]** The wireless device **1000** includes a second RF subsystem **1002**. The second RF subsystem **1002** may be configured similarly to, and may perform similar actions as, the RF

subsystem **812**. However, while the RF subsystem **812** may process signals received on the primary antenna **808**, the RF subsystem may process signals received by the diversity antenna **814**. Thus, in some cases, the RF subsystem **812** may process signals from a first cellular network associated with the SIM **802** that are received by the primary antenna **808**, and the RF subsystem **1002** may process signals from a second cellular network associated with the SIM **804** received by the diversity antenna **814**. In other cases, the RF subsystem **812** may process signals from the second cellular network associated with the SIM **804** that are received by the primary antenna **808**, and the RF subsystem **1002** may process signals from the first second cellular network associated with the SIM **802** received by the diversity antenna **814**.

[0087] As illustrated in FIG. 10, the signal path that includes the RF subsystem **812** includes the modem **810**. However, the signal path that includes the RF subsystem **1002** omits the modem. Accordingly, in certain embodiments of the wireless device **1000**, the signal path that includes the RF subsystem **812** may both receive and transmit voice and/or data packets using the primary antenna **808**. However, the signal path that includes the RF subsystem **1002** may receive signals, but may not transmit signals via the diversity antenna **814**. Further, the signals received at the diversity antenna **814** from the second cellular network may be all data packets, which may include voice data packets (e.g., VoLTE), but may omit voice packets. Accordingly, in certain embodiments, the RF subsystem **1002** may be a slimmed down version of the RF subsystem **812**. For example, while the RF subsystem **812** may include a power amplifier module with one or more power amplifiers for amplifying a signal prior to transmission, the RF subsystem **1002** may omit the power amplifier module. The slimmed down RF subsystem **1002** may thus be smaller in physical area and may use less power than the RF subsystem **812**.

[0088] In certain embodiments, the wireless device may include a tuner **1004** and a tuner **1006**. The tuners **1004**, **1006** may include any type of filter that can separate the signals received on the antennas **808**, **814**. For example, the tuner **1004** may include a band-pass filter to pass signals associated with a first cellular network associated with SIM **802** and one or more band-stop filters to remove signals (e.g., noise, undesired harmonics, frequency bands associated with other wireless or cellular networks, and the like) not associated with communication with the first cellular network. Similarly, the tuner **1006** may include a band-pass filter to pass signals associated with a second cellular network associated with SIM **804** and one or more band-stop filters to remove signals not associated with communication with the second cellular network.

Further, the tuners **1004**, **1006** may convert the received RF signals from the cellular networks into a fixed frequency that facilitates further processing by the RF subsystems **812**, **1002** and/or the hardware processor **806**.

**[0089]** The tuner **1006** may further be configured to determine whether a received signal is from a cellular network implementing CDMA, TDMA, GSM, or some other type of communication protocol or standard. In some cases, the determination may be made based on a header that identifies the transmitter of the signal or data packer. In other cases, the determination may be made based on the signal characteristics. Based on the determination of the type of communication protocol, the tuner **1006** may cause a modification in the configuration of the RF subsystem **812**. Alternatively, or in addition, the RF subsystems **812**, **1002** may determine the type of cellular network or the communication protocol implemented by the cellular network. In yet other embodiments, the processor **806** may determine the type of cellular network or the communication protocol implemented by the cellular network, and may configure the RF subsystems **812**, **1002** accordingly.

**[0090]** In certain embodiments, the processor **806** may determine that the second cellular network associated with the SIM **804** is preferable for transmission. For example, the processor **806** may determine that the current signal strength of the second cellular network exceeds, or exceeds by a particular threshold, the current signal strength of the first cellular network. Additionally, or alternatively, the processor **806** may determine that transmission should occur over both the first cellular network and the second cellular network using both SIM **802** and SIM **804**, respectively. For example, the processor **806** may determine that the wireless device **1000** is attempting to transmit media (e.g., pictures) to a cloud network service (e.g., Dropbox®), and is attempting to establish and maintain a voice call, either using voice-packets or data packets (e.g., Voice over LTE (VoLTE)), or to transmit other data packets using another service (e.g., send email using an email provider). In some such cases, the wireless device **1000** may maintain also receive signals associated with the cellular network that is currently transmitting. Thus, in some such cases, either antenna **808**, **814**, and corresponding signal path, may receive signals from either cellular network associated with the SIMs **802**, **804**. As such, in some embodiments, the tuner **1004** may further include a band-pass filter to pass signals associated with the second cellular network associated with SIM **804** and one or more band-stop filters to remove signals not associated with communication with the second cellular network. Similarly, the tuner **1006** may

further include a band-pass filter to pass signals associated with the first cellular network associated with SIM **802** and one or more band-stop filters to remove signals not associated with communication with the first cellular network.

**[0091]** It should be understood that the tuners **1004**, **1006** may include other types of filters and may include other circuitry for performing other functions related with the receipt of one or more signals associated with one or more cellular and/or wireless networks. Further, the tuner **1006** may additionally include circuitry for performing functions related to the transmission of signals associated with one or more cellular and/or wireless networks. In certain embodiments, the tuners **1004**, **1006** may be optional or omitted. For example, the functionality of the tuners **1004**, **1006** may be included in the RF subsystems **812**, **1002**, respectively. Further, in certain embodiments, the wireless device **1000** may further include one or more additional filters, diplexers, duplexers, or other circuitry for splitting and/or combining signals for communication with the cellular networks.

**[0092]** To enable the additional signal path that includes the RF subsystem to receive signals from one or more of the cellular networks, the diversity antenna **814** may include an additional connection **1008**. The connection **1008** may provide the signal received at the diversity antenna **814** to the tuner **1004**. Accordingly, the received signal received by the diversity antenna **814** may be provided to both the tuner **1006** and the tuner **1004**. The signal provided by the antenna **814** to the signal path that includes the tuner **1006** may be used to measure a signal strength of a cellular network in communication with the wireless device **1000**. The signal provided by the antenna **814** to the signal path that includes the tuner **1004** may be processed to obtain data received over the cellular network in communication with the wireless device **1000**.

**[0093]** The RF subsystem **1002** may be in communication with a port of the processor, such as an auxiliary port. The port may be a pin **1010** that is included on the processor **806** that enables an auxiliary device to communicate with the processor **806**. Advantageously, in certain embodiments, by connecting the second signal path to another port of the processor **806** (e.g., the pin **1010**) it is possible to switch the active SIM **802** or **804** without resetting, rebooting, or otherwise losing communication to one of the cellular networks.

**[0094]** In certain embodiments, the auxiliary device is the second RF communication path that permits signals received from a cellular network at the diversity antenna **814** to be provided to the processor **806**. The processor **806** can receive data from a second cellular network

associated with the second SIM **804** over the diversity antenna **814** via the second RF subsystem **1002** connected to the auxiliary port. In some embodiments, the pin **1010** is not an auxiliary port but is associated with a particular feature of the processor **806**. In some such embodiments, the pin **1010** can be repurposed to receive communication signals from a cellular network over the antenna **814** in place of the feature previously associated with the pin **1010**. Accordingly, in certain embodiments, existing processors **806** can be retrofitted to support multiple cellular networks communicating with the wireless device **1000** in concert.

[0095] Further, the processor **806** can switch the SIM **802, 804** card that is using the first or primary RF subsystem **812** enabling the wireless device **1000** to transmit over either cellular network using the primary, or non-diversity, antenna. The processor **806** may determine the SIM **802, 804** card, or cellular network, to connect to or communicate with using the primary antenna **808** based on a detected signal strength of the two networks. Although the embodiment of FIG. **10** enables the wireless device **1000** to receive data from both cellular networks at the same time, transmission may occur over a single cellular network at a particular point in time. Thus, in some cases, the wireless device may not be a bi-directional dual-data dual-active device where both SIMs **802, 804** are simultaneously active for both transmission and reception. However, the processor **806** may rapidly (e.g., within a few microseconds or milliseconds) switch the SIM **802, 804** cards associated with the primary antenna **808** or the SIM **802, 804** that is active a particular point in time. In some such cases, the rapid switching of which SIM **802, 804** is active and/or which SIM **802, 804** is operating over the signal path that includes the antenna **808**, may make it undetectable to a user that transmission is occurring via one of the cellular networks and not both cellular networks.

[0096] The switching of the active SIM **802, 804**, or the SIM that is receiving and transmitting may be determined and/or performed by firmware. This firmware may operate at the kernel or operating system level of the processor **806**. The firmware may determine the active SIM **802, 804**, or the SIM **802, 804** (and associated cellular network) to select for communication based on signal strength for the cellular networks. In addition, or alternatively, the SIM **802, 804** may be selected based on the available bandwidth, the quality of service of the connection, the stability of the connection, a cost associated with the cellular network or any other characteristics associated with the cellular networks or connections therewith.

[0097] In certain embodiments, the wireless device **1000** may lose connection for a short period of time (e.g., less than **30** seconds, within **5** seconds, within a second, and any value between the foregoing) when switching active SIM cards. In some such embodiments, the wireless device **1000** may be configured to not switch active SIMs during an ongoing phone call. Thus, in certain embodiments, a user may not lose voice service during a transition between networks.

### **Second Example Dual-SIM and Dual Data Active Device**

[0098] FIG. **11** illustrates a second example of a dual-SIM dual-data active wireless device **1100** in accordance with certain embodiments. The wireless device **1100** of FIG. **11** includes a number of similar elements as the wireless devices **800** and **1000** as indicated by the re-use of certain reference numbers. As previously discussed, the wireless device **1000** may transmit over a single cellular network at a particular point in time. In contrast, the wireless device **1100** may have multiple active SIM cards and may communicate (e.g., both transmit and receive) with multiple cellular networks at a particular point in time. Thus, the wireless device **1100** may simultaneously receive and/or transmit signals using multiple cellular networks. The embodiments of FIG. **11** enables the wireless device to both receive and transmit over at least two cellular networks simultaneously, or at substantially the same time, by including a second pair of primary and diversity antennas. Further, the embodiment of FIG. **11** provides the ability to communicate with more than two cellular networks by replicating the features of the embodiments of FIG. **10**.

[0099] The wireless device **1100** may include a modem and RF subsystem **1102** that combines the modem and RF subsystem previously described. It should be understood that the modem and RF subsystem may be implemented on a single die (as illustrated) or on multiple separate chips or dies. Further, the wireless device **1100** may include a filter **1104**. The filter **1104** may include one or more filters that separate the desired frequency band from other received frequencies. For example, the filter **1104** may separate frequency bands associated with communication with a cellular network corresponding to the SIM **802** from frequency bands associated with communication with other cellular networks, such as those corresponding to SIMs **1118**, **804**, and **1120**, respectively. The filter **1104** may provide the signals associated with the cellular network corresponding to the SIM **802** to the modem and RF subsystem while discarding the other signals. Alternatively, or in addition, the filter **1104** may filter out noise and undesired harmonics from the received signals. For example, in some cases, a second or third harmonic of

a received RF signal may match the frequency of another communication band associated with another cellular network or with another wireless communication technology, such as Wi-Fi®. To reduce or prevent interference, the filter **1104** may filter out the undesired harmonic. It should be understood that the depiction of the separate filter **1104** and tuner **1004** is for illustrative purposes. In certain embodiments, the filter **1104** may be included as part of a tuner (not shown). Further, the tuner **1004** may include one or more filters. Accordingly, in certain embodiments the element **1104** may be replaced with a combined (or separate pair of) tuner and filter element. Similarly, the tuner **1004** may be replaced with a combined (or separate pair of) tuner and filter element.

**[0100]** The wireless device **1100** may include an upper portion **1122** and a lower portion **1124**. The upper portion **1122** may be associated with a pair of SIMs **802**, **1118** that correspond to a pair of cellular networks. Further, the upper portion **1122** may include similar elements and functionality as the wireless device **1000**. Thus, the upper portion **1122** may receive signals from two different cellular networks associated with the SIMs **802**, **1118**, and can transmit at any particular point in time over one of the pair of cellular networks.

**[0101]** The lower portion **1124** may be a duplicate of the upper portion **1122**. But the lower portion **1124** may be associated with a different pair of SIMs **804**, **1120**. In certain embodiments, both the lower portion **1122** and the upper portion **1124** of the wireless device **1100** may include and may be controlled by the processor **806**. Further, each of the lower portion **1122** and the upper portion **1124** of the wireless device **1100** may separately receive and/or transmit to a cellular network corresponding to one of the active SIMs. Thus, in certain embodiments, the wireless device **1100** may receive communication from up to four cellular networks simultaneously. Further, the wireless device **1100** may transmit to up to two cellular networks simultaneously. Moreover, as with the wireless device **100**, each of the upper portion **1122** and the lower portion **1124** may switch the active SIM enabling transmission with up to four cellular networks.

**[0102]** As illustrated, the lower portion **1124** may have its own primary antenna **1114** and diversity antenna **1116** pair. Alternatively, in certain embodiments, the upper portion **1122** and the lower portion **1124** may share access to one primary antenna (e.g., the primary antenna **808**) and one diversity antenna (e.g., the diversity antenna **814**).

**[0103]** As with the upper portion **1122**, the lower portion **1124** of the wireless device may include a combined modem and RF subsystem **1106** or may separate the modem and RF

subsystem. Further, the lower portion **1124** may include a filter **1108** that filters signals received by the primary antenna **1114** before providing the received signals to the modem and RF subsystem **1106**. The signal path with the modem and RF subsystem **1106** and filter **1108** can both receive from and transmit signals to the cellular networks associated with the SIM **804** and the SIM **1120**.

**[0104]** The lower portion may further include an RF subsystem **1110** and tuner **1112** that can receive signals via the diversity antenna **1116** from the cellular networks associated with the SIM **804** and the SIM **1120**. In certain embodiments, the processor **806** communicates with the cellular networks associated with the SIM **802** and SIM **1118** using the upper portion **1122** of the wireless device **1100** and communicates with the cellular networks associated with the SIM **804** and SIM **1120** using the lower portion **1124** of the wireless device **1100**. Thus, the elements of the upper portion **1122** and the elements of the lower portion **1124** may be configured to process specific signal bands and to use specific encodings corresponding to the two SIMs of the upper portion **1122** and the lower portion **1124**, respectively. Advantageously, in certain embodiments, the segregating of the portions of the wireless device **1100** that communicate with the different cellular networks enables the modem and RF subsystems **1102**, **1106** and the RF subsystems **1002** and **1110**, as well as associated filters and tuners to be implemented using less circuitry.

**[0105]** Optionally, in certain embodiments, both the upper portion **1122** and the lower portion **1124** can communicate with some or all of the cellular networks corresponding to the SIMs **802**, **1118**, **804**, and **1120**. Advantageously, in certain embodiments, by enabling the upper portion **1122** and the lower portion **1124** to communicate with any of the cellular networks associated with the four included SIMs, the wireless device **1100** can transmit data packets or signals to any two of the cellular networks simultaneously.

**[0106]** Although the wireless device **1100** is illustrated as supporting up to four cellular networks, it should be understood that the wireless device **1100** can be modified to support more or fewer cellular networks. For example, the lower portion **1124** may include one SIM. As another example, an additional set of hardware may be included to enable communication with a fifth or sixth cellular network. In certain embodiments, the wireless device **1100** may require more power than the wireless device **1000** requiring a bigger battery and/or reducing battery life. However, the wireless device **1100** can support communication with a greater number of cellular networks. Further, in certain embodiments, the ability to communication with more cellular networks may in some cases reduce required power by providing increased flexibility to switch to a cellular network

that has greater signal strength. For example, while the wireless device **1000** may select from up to two cellular networks, the wireless device **1100** may select from up to four cellular networks with which to communicate. As signal strength may vary based on the location of the wireless device, the wireless device **1100** may have more flexibility to select the cellular network with the strongest signal at a particular geographic area or time. In some cases, the increased flexibility may negate some of the increased power requirements of the wireless device **1100** compared to the wireless device **1000**.

### **Third Example Dual-SIM and Dual Data Active Device**

[0107] FIG. 12 illustrates a third example of a dual-SIM dual-data active wireless device **1200** in accordance with certain embodiments. The wireless device **1200** of FIG. 12 includes a number of similar elements as the wireless devices **800**, **1000**, and **1100** as indicated by the re-use of certain reference numbers. The wireless device **1200** includes a second modem **1200** that enables transmission over a second cellular network using a second SIM **804** at substantially the same time as transmission or communication over a first cellular network using a first SIM **806**. As a separate modem is within the signal path of the second primary antenna **1114**, both primary antennas **808** and **1114** can transmit to two different cellular networks associated with two different SIMs (e.g., SIM **802** or **1118**, and SIM **804**, respectively). Although not illustrated, the modem **1202** may include an RF subsystem for processing received RF signals received by the primary antennas **1114** and/or the diversity antenna **1116**. Further, the RF subsystem of the modem **1202** may facilitate transmission via the primary antenna **1114**.

[0108] The second modem **1200** may include an embedded processor **1204** that can communicate with a port **1206**, such as an auxiliary port or other reserved of the main or primary processor of the wireless device **1200**. The port **1206** may be a pinout (e.g., pin **1010**) or any other type of interface with the processor **806**. In some embodiments, the main processor (e.g., processor **806**) may support multiple SIM cards and thus, the wireless device **1200** may include a third SIM **1118** card. This third SIM card may be optional as indicated by the dashed line box for the SIM **1118**. In some embodiments, the wireless device of FIG. 12 may further include the embodiment of FIG. 10.

[0109] Advantageously, in certain embodiments, the wireless device **1200** can have at least two active SIMs enabling communication with at least two cellular networks simultaneously.

Further, the inclusion of multiple modems **810**, **1202** enables transmission of data and/or voice packets by the wireless device **1200** to multiple cellular networks simultaneously. Further, in certain embodiments, the wireless device **1200** uses less power than the wireless device **1100**.

[0110] The connection between the processor **1204** and the processor **806** may be a direct connection with a pin or port **1206** of the processor **806**. In some cases, the connection between the processor **806** and the processor **1204** may be a conductive trace on a printed circuit board that includes both the processor **806** and the processor **1204**.

[0111] In the wireless device **1200**, the processor **806** may continue to serve as the main processor or the primary processor. Thus, for example, the processor **806** may select the cellular network with which to communicate for a particular task (e.g., a call or access to a content service). Further, the processor **806** may execute kernel level, operating system level, and application system tasks. In addition, the processor **806** may process user interactions with the wireless device **1200**. The embedded processor **1204** may serve as a secondary processor. The processor **1204** may be at least partially controlled by the processor **806**. Further, the processor **1204** may be a control host for the modem **1202**.

#### **Fourth Example Dual-SIM and Dual Data Active Device**

[0112] FIG. **13** illustrates a fourth example of a dual-SIM dual-data active wireless device **1300** in accordance with certain embodiments. The wireless device **1300** of FIG. **13** includes a number of similar elements as the wireless devices **800**, **1000**, and **1100** as indicated by the re-use of certain reference numbers. The embodiments of FIG. **13** include an additional modem and RF subsystem **1302**. The modem and RF subsystem **1032** may be combined as a single chip as illustrated in FIG. **13**, or may be implemented as two separate chips similar to elements **810** and **812**. Further, the elements **810** and **812** may be replaced with a single chip that combines the modem and RF subsystem similar to the element **1302**. Alternatively, the embodiment of FIG. **13** may include the modem **1202** and embedded processor **1204** of FIG. **12**.

[0113] The modem and RF subsystem **1302** may communicate with a communication hub **1304**. This communication hub **1304** may connect to the data transfer and/or battery charging port **1306** of the processor. Thus, in some such embodiments, the dual-SIM dual-data active features of the wireless device **1300** can be implemented without the addition of another port on the processor and/or without using an auxiliary port or repurposing an assigned or existing port of

the processor **806**. The data transfer and/or battery charging port **1306** may be a universal serial bus (USB) type port, such as a standard-size USB port, a mini-USB port, a micro-USB port, or a USB Type C port. It should be understood that the port **1306** is not limited to a USB-type port and that the port **1306** can include any type of port used by the wireless device **1300** for charging and/or data transfer. Further, the communication hub **1304** may replicate the data transfer and/or battery charging port **1306** of the processor **806** as the port **1308** of the communication hub **1304** enabling the wireless device **1300** to connect to an outlet or another port for data transfer via the port **1308** of the communication hub **1304**. In certain embodiments, the communication hub **1304** may communicate wirelessly with the processor **806**, such as via a Bluetooth® or other near-field communication protocol. However, to avoid interference with the communications with the cellular networks, the communication hub **1304** is typically configured to use a wired communication mechanism. As illustrated in the various figures, although described as a dual-SIM dual-data device, various implementations of the wireless devices may support more than two SIMs and/or may have more than two active SIMs actively communicating data packets with multiple cellular networks.

### **Second Example Communication Environment**

[0114] FIG. 14 illustrates an example communication environment **1400** for communicating using a dual-SIM dual-data active wireless device **1300**. The wireless device **1300** may attempt to communicate with a target system **1406** and/or **1412** via the cellular networks **1402** and/or **1404**. The wireless device **1300** may be substituted with any of the embodiments of the dual-SIM dual-data active wireless devices described herein. For example, the wireless device **1300** may be substituted with the wireless device **1000**, **1100**, or **1200**. Although only two cellular networks **1402**, **1404** and only two target systems **1406**, **1412** are depicted, it should be understood that the present disclosure is not limited as such and that the communication environment **1400** may include more or fewer cellular networks and more or fewer target systems.

[0115] The target systems **1406**, **1412** may include any device that can communicate with the wireless device **1300**. For example, the target systems **1406**, **1412** may each be another wireless device of the same type or of a different type as the wireless device **1300**. Further, the target systems **1406** and **1412** may each be of the same type or of different types. As another example, the target systems **1406**, **1412** may each be a server of a network-enabled service. For

instance, the target systems **1406**, **1412** may each be a server or host of a media streaming service, a data backup service, a shopping service or retailer (e.g., Amazon® or Walmart®), a picture printing service, an email service, and the like. In some cases, the target systems **1406**, **1412** may each be a server or other computing device of an employer of a user who owns or uses the wireless device **1300**.

**[0116]** The wireless device **1300**, and any of the previously described wireless devices, may include any type of device that can communicate over a cellular network. For example, the wireless device **1300** may be or may include a smartphone, a tablet, a laptop, a wearable device (e.g., a smartwatch or smart glasses), or any other device that may include a SIM card and/or may communicate with a cellular network.

**[0117]** Using embodiments of the dual-SIM dual-data active wireless devices disclosed herein, it is possible to communicate over multiple cellular networks, which may be maintained by different entities or providers, and which may implement different technologies or use different frequency bandwidths. For example, as illustrated in FIG. **14**, the wireless device may obtain an identifier, such as an Internet Protocol address from each wireless network or cellular network **1402**, **1404**. A different entity may own or operate each of the cellular networks **1402**, **1404**. For example, the cellular network **1402** may be Verizon's network and the cellular network **1404** may be Sprint's network. Further, each of the cellular networks **1402**, **1404** may be configured to operate with different frequency bands, different communication standards or protocols, or using different types of hardware. Thus, it will often be the case that a prior art wireless device configured to communicate with cellular network **1402** will be unable to communicate with cellular network **1404**, or vice-versa. However, the wireless device **1300**, and other wireless devices described herein, may communicate with either or both cellular networks **1402**, **1404**. Further, the cellular networks **1402**, **1404** may include one or more of the embodiments previously described with respect to the communication networks **106**. In some cases, the cellular networks **1402**, **1404** may be data networks configured to transmit data packets. These data packets may include any type of data. Further the data packets may include or encapsulate voice data. In some cases, the cellular networks **1402**, **1404** may transmit both data packets and voice packets. The cellular networks **1402**, **1404** may be configured to use different communication technology, protocols, or frequency bands. For example, the cellular networks **1402**, **1404** may be 2G, 3G,

4G, 4G LTE, or 5G cellular networks that can communicate with the wireless device **1300** using various corresponding frequency bands or encodings.

[0118] As stated above, the wireless device **1300** may communicate with the target system **1406** via one, or in some cases both, of the cellular networks **1402**, **1404**. Further, as stated above, the target system **1406** may be another wireless device, such as in the case when a user is calling another user, or the target system **1406** may be a host server, such as when the user is accessing content from a website or other services provider, such as a streaming media service. The wireless device **1300** may determine whether to communicate with the target system **1406** based on one or more characteristics of the cellular networks **1402**, **1404** and/or the connections to the cellular networks **1402**, **1404**. For example, the wireless device **1300** may determine the signal strength of a connection to each of the cellular networks **1402**, **1404** and select one of the cellular networks **1402**, **1404** with which to establish a connection with the target system **1406** based on the signal strength. The wireless device **1300** may then make the corresponding SIM within the wireless device the active SIM to enable communication with the selected cellular network. In some cases, the wireless device **1300** may maintain multiple active SIMs enabling communication over both the cellular networks **1402**, **1404** at the same time, or substantially the same time. For example, the wireless device **1300** may communicate with the target system **1406** using the cellular network **1402** and communicate with the target system **1412** using the cellular network **1404**.

[0119] In some embodiments, the wireless device **1300** may connect to the dynamic routing system **1408** using one or more of the cellular networks **1402**, **1404**. The dynamic routing system may include one or more of the embodiments described with respect to the dynamic routing system **108**. The wireless device **1300** may provide the dynamic routing system **1408** with a measurement of signal strength between the wireless device **1300** and a base station of each of the cellular networks **1402**, **1404**. Alternatively, the dynamic routing system **1408** may determine the measurement of signal strength associated with the wireless device's **1300** connection to each cellular network **1402**, **1404** from a system of each of the cellular networks **1402**, **1404**. For example, a base station, routing system, or connection server of each of the cellular networks **1402**, **1404** may provide the signal strength information to the dynamic routing system **1408**.

[0120] As previously stated, the wireless device **1300** may determine the cellular networks **1402**, **1404** with which to connect to the target system **1406**. In other cases, the dynamic

routing system **1408** may determine the cellular network **1402**, **1404** the wireless device **1300** should use to communicate with the target system **1406**. The dynamic routing system **1408** may select the cellular network **1402**, **1404** based at least in part on the signal strength between the wireless device **1300** and the cellular networks **1402**, **1404**. Alternatively, or in addition, the dynamic routing system **1408** may select the cellular network **1402**, **1404** based on other connection characteristics or service level agreements. For example, the dynamic routing system **1408** may select the cellular networks **1402**, **1404** based at least in part on one or more of available bandwidth, stability of connection between the wireless device and each cellular networks, priority of traffic or data packets, type of data packet (e.g., voice data packets, media data packets, email, and the like), destination or source of the data sent or received, bandwidth costs associated with the connection, monetary costs associated with the connection, user preferences (e.g., a user may prefer a particular network due, for example, to costs, balancing of vendor usage, brand loyalty, or idiosyncrasies, and the like).

[0121] The dynamic routing system **1408** may inform the wireless device **1300** of the preferable or selected cellular network **1402**, **1404** or wireless network provider, with which to communicate with the target system **1406**. The wireless device **1300** may make the SIM (e.g., SIM **802**, **804**) card associated with the preferred or selected cellular network active for performing a desired task (e.g., communicating with the target system **1406**). In some cases, additional SIM cards may remain active at the wireless device **1300** and may be used to communicate with a corresponding cellular network **1404** to perform another task (e.g., communication with the target system **1412**). In some embodiments, the cellular networks **1402**, **1404** may be ranked based, for example, on signal strength, bandwidth, stability, and the like, or based on a combination of characteristics. The higher ranked cellular network may be used to perform a task with higher priority. For example, a phone call may be considered higher priority than other tasks, such as media download. In this example, if the signal strength associated with cellular network **1402** exceeds the signal strength associated with cellular network **1404**, the phone call may be processed using the cellular network **1402** and the media download, or other task, may be performed using the same network, or may be performed using the cellular network **1404**. The determination of whether to divide tasks among networks or to use the same network may depend on the specific task and/or the difference in characteristics between the cellular networks.

[0122] Alternatively, or in addition, the higher ranked cellular network may be used to perform a task that requires greater bandwidth or stability, but may or may not be a higher priority task. For example, a voice call usually requires less bandwidth than many other tasks, such as downloading a high-definition (HD) movie. Thus, although the cellular network **1402** may provide a better connection or be associated with higher signal strength, the voice call may be assigned to the cellular network **1404** and the media download to the cellular network **1402**. In some cases, whether or not a task is assigned to a particular cellular network may further depend on whether the connection or signal strength is sufficient to provide a minimal quality of service for the task. For example, continuing the previous example, although the voice call may require less bandwidth than the media download task, if the connection to the cellular network **1404** is not strong enough to maintain a clear voice call, the voice call may be allocated, with or without the media download task, to the cellular network **1402**.

[0123] In certain embodiments, the wireless device **1300** may determine whether a data packet belongs to a particular task for transmission over a particular cellular network **1402**, **1404** based on the source or application of the data packet. For example, data packets related to a voice call may be identified based on the source of the data packet being from a dialer application and/or based on the dialer application applying a label or tag to the data packet that identifies the data packet as being for a call (e.g., a voice over data or voice over LTE packet).

[0124] Over time, or as the wireless device **1300** is moved, the determination of the cellular network to perform a particular task or over which to maintain or establish a connection with a target system **1406**, **1412** may change. If the selected cellular network **1402**, **1404** changes, the wireless device **1300** may establish a new connection over the newly selected cellular network, or may use an existing connection with the newly selected cellular network to perform a task, which may be a new task or a task-in-progress (e.g., an existing call or download). To switch an existing task, or task-in-process, associated, for example, with the target system **1406** from one cellular network **1402** to another cellular network **1404**, the wireless device **1300** may establish a new connection with the cellular network **1404**. The task may be switched to the newly established connection with the cellular network **1404**. The connection with the cellular network **1402** may then be dropped, or may be maintained, but may no longer be used to perform the task associated with the target system **1406**. The determination of whether to switch cellular networks to perform a task at a particular point in time may be determined based, for example, on the changing signal

strength of connections with the cellular networks **1402**, **1404**, changing bandwidth available, changing connection stability, or any other characteristic of the connections to the cellular networks **1402**, **1404**. Further, in some implementations, the wireless device **1300** may change the cellular networks used to perform a task when a change in connection characteristics exceeds a threshold or when the connection characteristics associated with a particular cellular network exceeds another cellular network by more than a threshold amount or percentage. Advantageously, in certain implementations, by requiring a threshold change or difference between cellular network characteristics, bouncing between cellular networks or cellular network connections may be reduced or prevented.

[0125] In some embodiments, the wireless device **1300**, or the dynamic routing system **1408**, may maintain a connection to a target system (e.g., the target system **1406**) using both cellular networks **1402**, **1404** and corresponding SIM cards of the wireless device **1300**. The wireless device **1300** may communicate over the preferred cellular network (e.g., the cellular network with a higher signal strength connection to the wireless device **1300**). As the user of the wireless device **1300** moves (e.g., drives down the road), the preferred cellular network may change. In some such cases, the wireless device **1300** may switch to the new preferred cellular network using the connection previously established with the new preferred cellular network and maintained throughout the time, or for at least some of the time, that the wireless device **1300** was communicating over the original preferred cellular network.

[0126] In some embodiments, the dynamic routing system **1408** may maintain the connection to the target system **1406** via both cellular networks **1402**, **1404**. As the preferred cellular network for the wireless device **1300** to communicate with the target system **1406** changes, the dynamic routing system **1408** may transition the connection with the wireless device **1300** from the previously preferred cellular network to the currently preferred cellular network. As both connections are maintained, the transition between cellular networks may be performed without service being interrupted.

[0127] The communication environment **1400** may include a number of nodes **1410**. Each of the nodes **1410** may be the same or may differ in type. The nodes **1410** may represent different nodes or hops within a network. At least some of the nodes **1410** may be part of the cellular networks **1402** and/or **1404**. Alternatively, at least some of the nodes **1410** may be part of another network in communication with the cellular networks **1402**, **1404**. In some embodiments,

the number of nodes or hops between the wireless device **1300** and the target system **1406, 1412**, or the amount of time to communicate between nodes or hops, may be a factor in determining whether the cellular network **1402** or the cellular network **1404** is selected to connect to a target system **1406, 1412**. For example, the connection between the wireless device **1300** and the cellular network **1404** may be associated with a higher signal strength than the connection to the cellular network **1402**. However, the connection to the cellular network **402** may be preferred because there are less hops to the target system **1406** using the cellular network **1402** than the cellular network **1404**. Thus, in some cases, the particular target system with which the wireless device **1300** desires to connect, or the connection characteristics with the target system may be a factor in selecting the cellular network with which the wireless device **1300** connection to the target system **1406**.

**[0128]** Each of the previously described embodiments, or aspects, may be combined or implemented separately. For example, the wireless device **1200** or **1300** may implement aspects of the wireless device **1000** enabling the signal paths associated with the process **806** to support two SIMs and two corresponding cellular networks while the signal paths associated with the modem **1202** or **1302** may simultaneously support one or two SIMs and the one or two corresponding cellular networks. Accordingly, the wireless device **1200** may support dual active dual data communication across at least two cellular networks.

### **Additional Embodiments**

**[0129]** Certain aspects of the present disclosure relate to a wireless device configured to maintain communication channels over multiple data networks with each data network configured using a different communication technology or set of frequency bands. The wireless device may include: a first primary antenna configured to transmit signals of a first transmit band and receive signals of a first receive band, and to transmit signals of a second transmit band and receive signals of a second receive band; a first diversity antenna configured to receive the signals of the first receive band, and receive the signals of the second receive band; a first radio frequency subsystem in electrical communication with the first primary antenna and the first diversity antenna, the first radio frequency subsystem configured to decode the signals of the first receive band and to decode the signals of the second receive band; a second radio frequency subsystem in electrical communication with the first diversity antenna, the second radio frequency subsystem

configured to decode the signals of the first receive band and to decode the signals of the second receive band; and a hardware processor in electrical communication with a first subscriber identity module, a second subscriber identity module, the first radio frequency subsystem, and the second radio frequency subsystem, wherein the first subscriber identity module is associated with a first wireless network that supports the first transmit band and the first receive band, and the second subscriber identity module is associated with a second wireless network that supports the second transmit band and the second receive band, and wherein the hardware processor is configured to control whether the first subscriber identity module or the second subscriber module uses the first radio frequency subsystem to communicate at a particular time period.

**[0130]** The wireless device of the preceding paragraph can include any combination or sub-combination of the following features: where the wireless device further includes a first modem connected between the first radio frequency subsystem and the hardware processor, the first modem configured to transmit a packet using the first primary antenna to the first wireless network or the second wireless network; where the first modem is configured to determine whether the packet is a voice packet or a data packet; where the wireless device further includes: a first modem connected between the first radio subsystem and the hardware processor, the first modem configured to transmit a packet using the first primary antenna to one of the first wireless network or the second wireless network; and a second modem connected to the hardware processor, the second modem configured to transmit the packet using a second primary antenna; where the second modem is integrated with a second hardware processor configured to manage communication with a third wireless network; where the hardware processor serves as a primary device and the second hardware processor serves as a secondary device in a primary/secondary communication model; where the second modem is connected to the hardware processor via an auxiliary port of the hardware processor; where the wireless device further includes a communication hub configured to connect the second modem to the hardware processor; where the communication hub connects between an external data transfer or charging port of the wireless device and a data transfer or charging port of the hardware processor; where the second radio frequency subsystem is configured to receive the signals of the first receive band or the signals of the second receive band, and wherein the second radio frequency subsystem does not transmit signals; where the wireless device further includes a tuner in electrical communication with the first radio frequency subsystem, the first tuner configured to determine whether a received signal

is a signal of a first channel access method or a signal of a second channel access method; where the first channel access method comprises one of code-division multiple access, wideband code-division multiple access, or time-division multiple access, and the second channel access method comprises one of code-division multiple access, wideband code-division multiple access, or time-division multiple access; where the hardware processor is further configured to determine a first signal strength of a connection with the first wireless network and a second signal strength of a connection with the second wireless network based at least in part on the received signals of the first receive band, and the received signals of the second receive band; where the hardware processor is further configured to determine whether to communicate with the first wireless network or the second wireless network based at least in part on the first signal strength or the second signal strength; and where the first wireless network is implemented using a first communication technology and is associated with a first service provider, and the second wireless network is implemented using a second communication technology and is associated with a second service provider.

**[0131]** Certain additional aspects of the present disclosure relate to a method of communicating over multiple cellular networks. The method may be performed by a hardware processor of a wireless device configured to communicate with a first cellular network over a first frequency band and a second cellular network over a second frequency band. The method may include: receiving, via a first primary antenna of the wireless device, a first signal of the first frequency band from the first cellular network, wherein the first cellular network is associated with a first subscriber identity module of the wireless device and the second cellular network is associated with a second subscriber identity module of the wireless device, and wherein the first subscriber identity module is designated for transmission of data packets; receiving, via a first diversity antenna of the wireless device, a second signal of the second frequency band from the second cellular network; determining a first signal strength associated with the first cellular network based at least in part on the first signal; determining a second signal strength associated with the second cellular network based at least in part on the second signal; determining that the second signal strength exceeds the first signal strength; and transmitting first data packets via the first primary antenna to a target system over the second cellular network by designating the second subscriber identity module as the active subscriber identity module for transmitting the first data

packets and designating the first subscriber identity module as not for transmitting the first data packets.

**[0132]** The method of the preceding paragraph can include any combination or sub-combination of the following features: where the first signal and the second signal are received during a first time period; where the method further includes: receiving, at a second time period, a third signal of the first frequency band from the first cellular network; receiving, at the second time period, a fourth signal of the second frequency band from the second cellular network; determining a third signal strength associated with the first cellular network based at least in part on the third signal; determining a fourth signal strength associated with the second cellular network based at least in part on the fourth signal; determining that the third signal strength exceeds the fourth signal strength; and transmitting second data packets via the first primary antenna to the target system over the first cellular network by designating the first subscriber identity module as the active subscriber identity module for transmitting the second data packets and designating the second subscriber identity module as not for transmitting the second data packets; where the first data packets are associated with non-voice data, and where the method further includes: obtaining second data packets from an application; determining that the second data packets comprise voice data associated with a call to a destination wireless device; and transmitting the second data packets over the first cellular network associated with the first subscriber identity module while continuing to transmit data packets associated with non-voice data over the second cellular network; and where the method further includes: receiving via a second primary antenna of the wireless device, a third signal of a third frequency band associated with a third cellular network; determining a third signal strength associated with the third cellular network based at least in part on the third signal; determining that the third signal strength exceeds the second signal strength; transmitting second data packets associated with a first priority over the third cellular network; and transmitting the first data packets over the second cellular network, wherein the first data packets are associated with a second priority that is lower than the first priority.

**[0133]** Yet certain additional aspects of the present disclosure relate to a method for dynamically routing calls on a first network implementing a first network protocol to a second network implementing a second network protocol. The method may include: receiving a call request generated by a user device via a first network of a first communications network provider; determining that the first user device supports a first network protocol and a second network

protocol; determining a first measurement of a network characteristic for the first network associated with the first communications network provider, wherein the first network implements the first network protocol; identifying a second network associated with a second communications network provider, wherein the second network implements the second network protocol; determining a second measurement of the network characteristic for the second network associated with the second communications network provider; determining that the second measurement exceeds the first measurement by a threshold amount; and routing the call to the second network associated with the second communications network provider using the second network protocol based at least in part on the determination that the second measurement exceeds the first measurement by the threshold amount.

**[0134]** The method of the preceding paragraph can include any combination or sub-combination of the following features: where the first network protocol is a Global System for Mobile Communications (GSM) protocol and the second network protocol is a Code-Division Multiple Access (CDMA) protocol; where the first network protocol is associated with a first SIM card and the second network protocol is associated with a second SIM card; where routing the call to the second network comprises providing the user device with a command to complete the call using the second network; where the network characteristic, includes at least one of: jitter, latency, packet loss, an answer/seizure ratio, a call clarity rating, a dropped call rate, a network effectiveness ratio, or a post dial delay; where the network characteristic comprises a signal strength, and wherein the first measurement comprises a first signal strength between the user device and the first network, and the second measurement comprises a second signal strength between the user device and the second network; where the network characteristic comprises a signal strength, and wherein the first measurement comprises a first signal strength between a call destination device and the first network, and the second measurement comprises a second signal strength between the call destination device and the second network; where the method further includes identifying a geolocation of the user device; determining that the user device is within a particular coverage area for the second network; and routing the call to the second network based at least in part on the determination that the user device is within the particular coverage area; where the method further includes assessing historical data for the user device; generating a call profile for the user device based at least in part on the historical data, wherein the call profile indicates a probability that calls satisfying one or more criteria are completed using a particular

network; and routing the call to the second network based at least in part on the call profile; where the one or more criteria comprises one or more of a location of the user device, a location of a user being called by the user device, a time of day, a particular user being called by the user device, a destination network used by a device of the particular user, or a destination network provider of the destination network; and where determining the first measurement and the second measurement of the network characteristic comprises: transmitting a request to the user device for the network characteristic; and receiving the first measurement of the network characteristic with respect to the first network and the second measurement of the network characteristic with respect to the second network from the user device.

### **Other Implementation Details**

**[0135]** A number of embodiments have been described herein. It should be understood that where described embodiments are not mutually exclusive, each of the embodiments described herein can be combined with one or more of the other embodiments described herein. Any structure, material, function, method, or step illustrated or described in connection with any embodiment in the specification can be used instead of or in combination with any other structure, material, function, method, or step illustrated or described in connection with any other embodiment in the specification. Furthermore, no features, steps, structures, or methods disclosed in the specification are essential or indispensable.

**[0136]** Depending on the embodiment, certain acts, events, or functions of any of the algorithms described herein can be performed in a different sequence, can be added, merged, or left out altogether (e.g., not all described acts or events are necessary for the practice of the algorithms). Moreover, in certain embodiments, acts or events can be performed concurrently, e.g., through multi-threaded processing, interrupt processing, or multiple processors or processor cores or on other parallel architectures, rather than sequentially. In addition, different tasks or processes can be performed by different machines and/or computing systems that can function together.

**[0137]** The various illustrative logical blocks, modules, and algorithm steps described in connection with the embodiments disclosed herein can be implemented as application-specific electronic hardware, computer software executed by computer hardware, or a combination of both. To clearly illustrate this interchangeability of hardware and software, various illustrative

components, blocks, modules, and steps have been described above generally in terms of their functionality. Whether such functionality is implemented as hardware or software depends upon the particular application and design constraints imposed on the overall system. For example, the dynamic routing system **108** can be implemented by one or more computer systems or by a computer system including one or more processors. Moreover, the described functionality can be implemented in varying ways for each particular application of the systems described herein, but such implementation decisions should not be interpreted as causing a departure from the scope of the disclosure.

**[0138]** The various illustrative logical blocks and modules described in connection with the embodiments disclosed herein can be implemented or performed by a machine, such as a general purpose processor, a digital signal processor (DSP), an application specific integrated circuit (ASIC), a field programmable gate array (FPGA) or other programmable logic device, discrete gate or transistor logic, discrete hardware components, or any combination thereof designed to perform the functions described herein. A general purpose processor can be a microprocessor, but in the alternative, the processor can be a controller, microcontroller, or state machine, combinations of the same, or the like. A processor can also be implemented as a combination of computing devices, e.g., a combination of a DSP and a microprocessor, a plurality of microprocessors, one or more microprocessors in conjunction with a DSP core, or any other such configuration. A computing environment can include any type of computer system, including, but not limited to, a computer system based on a microprocessor, a mainframe computer, a digital signal processor, a portable computing device, a personal organizer, a device controller, and a computational engine within an appliance, to name a few.

**[0139]** The steps of a method, process, or algorithm described in connection with the embodiments disclosed herein can be embodied directly in hardware, in a software module executed by a processor, or in a combination of the two. A software module can reside in RAM memory, flash memory, ROM memory, EPROM memory, EEPROM memory, registers, hard disk, a removable disk, a CD-ROM, or any other form of computer-readable storage medium known in the art. An exemplary storage medium can be coupled to the processor such that the processor can read information from, and write information to, the storage medium. In the alternative, the storage medium can be integral to the processor. The processor and the storage

medium can reside in an ASIC. The ASIC can reside in a user terminal. In the alternative, the processor and the storage medium can reside as discrete components in a user terminal.

**[0140]** Conditional language used herein, such as, among others, "can," "might," "may," "e.g.," and the like, unless specifically stated otherwise, or otherwise understood within the context as used, is generally intended to convey that certain embodiments include, while other embodiments do not include, certain features, elements and/or states. Thus, such conditional language is not generally intended to imply that features, elements and/or states are in any way required for one or more embodiments or that one or more embodiments necessarily include logic for deciding, with or without author input or prompting, whether these features, elements and/or states are included or are to be performed in any particular embodiment.

**[0141]** While the above detailed description has shown, described, and pointed out novel features as applied to various embodiments, it will be understood that various omissions, substitutions, and changes in the form and details of the devices or algorithms illustrated can be made without departing from the spirit of the disclosure. As will be recognized, certain embodiments described herein can be embodied within a form that does not provide all of the features and benefits set forth herein, as some features can be used or practiced separately from others.

**EMBODIMENTS IN WHICH AN EXCLUSIVE PROPERTY OR PRIVILEGE IS CLAIMED ARE DEFINED AS FOLLOWS:**

1. A wireless device configured to maintain communication channels over multiple data networks with each data network configured using a different communication technology or set of frequency bands, the wireless device comprising:

a first primary antenna configured to transmit signals of a first transmit band and receive signals of a first receive band, and to transmit signals of a second transmit band and receive signals of a second receive band;

a first diversity antenna configured to receive the signals of the first receive band, and receive the signals of the second receive band;

a first radio frequency subsystem in electrical communication with the first primary antenna and the first diversity antenna, the first radio frequency subsystem configured to decode the signals of the first receive band and to decode the signals of the second receive band;

a second radio frequency subsystem in electrical communication with the first diversity antenna, the second radio frequency subsystem configured to decode the signals of the first receive band and to decode the signals of the second receive band;

a hardware processor in electrical communication with a first subscriber identity module, a second subscriber identity module, the first radio frequency subsystem, and the second radio frequency subsystem, wherein the first subscriber identity module is associated with a first wireless network that supports the first transmit band and the first receive band, and the second subscriber identity module is associated with a second wireless network that supports the second transmit band and the second receive band, and wherein the hardware processor is configured to control whether the first

subscriber identity module or the second subscriber module uses the first radio frequency subsystem to communicate at a particular time period;

a first modem connected between the first radio subsystem and the hardware processor, the first modem configured to transmit a packet using the first primary antenna to one of the first wireless network or the second wireless network;

a second modem connected to the hardware processor, the second modem configured to transmit the packet using a second primary antenna; and

a communication hub configured to connect the second modem to the hardware processor.

2. The wireless device of claim 1, wherein the first modem is configured to determine whether the packet is a voice packet or a data packet.
3. The wireless device of claim 1, wherein the second modem is integrated with a second hardware processor configured to manage communication with a third wireless network.
4. The wireless device of claim 3, wherein the hardware processor serves as a primary device and the second hardware processor serves as a secondary device in a primary/secondary communication model.
5. The wireless device of claim 3 or 4, wherein the second modem is connected to the hardware processor via an auxiliary port of the hardware processor.
6. The wireless device of claim 1, wherein the communication hub connects between an external data transfer or charging port of the wireless device and a data transfer or charging port of the hardware processor.

7. The wireless device of any one of claims 1-6, wherein the second radio frequency subsystem is configured to receive the signals of the first receive band or the signals of the second receive band, and wherein the second radio frequency subsystem does not transmit signals.
8. The wireless device of any one of claims 1-7, further comprising a tuner in electrical communication with the first radio frequency subsystem, the tuner configured to determine whether a received signal is a signal of a first channel access method or a signal of a second channel access method.
9. The wireless device of claim 8, wherein the first channel access method comprises one of code-division multiple access, wideband code-division multiple access, or time-division multiple access, and the second channel access method comprises one of code-division multiple access, wideband code-division multiple access, or time-division multiple access.
10. The wireless device of any one of claims 1-9, wherein the hardware processor is further configured to determine a first signal strength of a connection with the first wireless network and a second signal strength of a connection with the second wireless network based at least in part on the received signals of the first receive band, and the received signals of the second receive band.
11. The wireless device of claim 10, wherein the hardware processor is further configured to determine whether to communicate with the first wireless network or the second wireless network based at least in part on the first signal strength or the second signal strength.
12. The wireless device of any one of claims 1-11, wherein the first wireless network is implemented using a first communication technology and is associated with a first service provider, and the second wireless network is implemented using a second communication technology and is associated with a second service provider.

13. The wireless device of claim 1, wherein the first radio frequency subsystem is capable of receiving or transmitting first data packets at the same time, or within a threshold time period, as the second radio frequency subsystem receives or transmits second data packets.
14. The wireless device of claim 1, wherein the wireless device is configured to communicate substantially in parallel with the first wireless network using the first subscriber identity module and with the second wireless network using the second subscriber identity module.
15. The wireless device of claim 14, wherein the wireless device communicates first data packets to the first wireless network and second data packets to the second wireless network.
16. A method of communicating over multiple cellular networks, the method comprising:

by a hardware processor of a wireless device configured to communicate with a first cellular network over a first frequency band and a second cellular network over a second frequency band:

receiving, via a first primary antenna of the wireless device, a first signal of the first frequency band from the first cellular network, wherein the first cellular network is associated with a first subscriber identity module of the wireless device and the second cellular network is associated with a second subscriber identity module of the wireless device, and wherein the first subscriber identity module is designated for transmission of data packets;

receiving, via a first diversity antenna of the wireless device, a second signal of the second frequency band from the second cellular network;

determining a first signal strength associated with the first cellular network based at least in part on the first signal;

determining a second signal strength associated with the second cellular network based at least in part on the second signal;

determining that the second signal strength exceeds the first signal strength;

transmitting first data packets via the first primary antenna to a target system over the second cellular network by designating the second subscriber identity module as an active subscriber identity module for transmitting the first data packets and designating the first subscriber identity module as not for transmitting the first data packets, wherein the first signal and the second signal are received during a first time period;

receiving, at a second time period, a third signal of the first frequency band from the first cellular network;

receiving, at the second time period, a fourth signal of the second frequency band from the second cellular network;

determining a third signal strength associated with the first cellular network based at least in part on the third signal;

determining a fourth signal strength associated with the second cellular network based at least in part on the fourth signal;

determining that the third signal strength exceeds the fourth signal strength; and

transmitting second data packets via the first primary antenna to the target system over the first cellular network by designating the first subscriber identity module as the active subscriber identity module for transmitting the second data packets and designating the second subscriber identity module as not for transmitting the second data packets.

17. The method of claim 16, wherein the first data packets are associated with non-voice data, and wherein the method further comprises:

obtaining third data packets from an application;

determining that the third data packets comprise voice data associated with a call to a destination wireless device; and

transmitting the third data packets over the first cellular network associated with the first subscriber identity module while continuing to transmit data packets associated with non-voice data over the second cellular network.

18. The method of claim 16, wherein the second data packets are transmitted via the first primary antenna to the target system over the first cellular network at least partially in parallel with third data packets being transmitted by the wireless device via the second cellular network.

19. A method of communicating over multiple cellular networks, the method comprising:

by a hardware processor of a wireless device configured to communicate with a first cellular network over a first frequency band and a second cellular network over a second frequency band:

receiving, via a first primary antenna of the wireless device, a first signal of the first frequency band from the first cellular network, wherein the first cellular network is associated with a first subscriber identity module of the wireless device and the second cellular network is associated with a second subscriber identity module of the wireless device, and wherein the first subscriber identity module is designated for transmission of data packets;

receiving, via a first diversity antenna of the wireless device, a second signal of the second frequency band from the second cellular network;

determining a first signal strength associated with the first cellular network based at least in part on the first signal;

determining a second signal strength associated with the second cellular network based at least in part on the second signal;

determining that the second signal strength exceeds the first signal strength;

transmitting first data packets via the first primary antenna to a target system over the second cellular network by designating the second subscriber identity module as an active subscriber identity module for transmitting the first data packets and designating the first subscriber identity module as not for transmitting the first data packets;

receiving via a second primary antenna of the wireless device, a third signal of a third frequency band associated with a third cellular network;

determining a third signal strength associated with the third cellular network based at least in part on the third signal;

determining that the third signal strength exceeds the second signal strength;

transmitting second data packets associated with a first priority over the third cellular network; and

transmitting the first data packets over the second cellular network, wherein the first data packets are associated with a second priority that is lower than the first priority.

20. The method of claim 19, wherein at least some of the first data packets and at least some of the second data packets are communicated at least partially in parallel.

21. A wireless device configured to simultaneously maintain communication channels over a plurality of data networks, the wireless device comprising:

a first radio frequency subsystem comprising a first front-end module configured to process signals of a first receive band associated with a first data network and signals of a second receive band of a second data network;

a second radio frequency subsystem comprising a second front-end module configured to process the signals of the first receive band associated with the first data network and the signals of the second receive band associated with the second data network;

a hardware processor in communication with the first radio frequency subsystem and the second radio frequency subsystem, wherein the hardware processor is configured to control whether the first radio frequency subsystem communicates with the first data network associated with a first subscriber identity module of the wireless device or communicates with the second data network associated with a second subscriber identity module of the wireless device during a particular time period;

a first modem connected to a first port of the hardware processor, the first modem configured to transmit packets using the first radio frequency subsystem via a first antenna to one of the first data network or the second data network;

a second modem configured to transmit packets using the second radio frequency subsystem via a second antenna to one of the first data network or the second data network; and

a communication hub connected to a second port of the hardware processor, the communication hub configured to connect the second modem to the hardware processor.

22. The wireless device of claim 21, wherein the second modem is integrated with the second radio frequency subsystem.
23. The wireless device of claim 22, wherein the first modem is separate from and in communication with the first radio frequency subsystem.
24. The wireless device of claim 21, wherein the communication hub is inserted between an external port of the wireless device and a port of the hardware processor that connects to the external port of the wireless device.
25. The wireless device of claim 24, wherein the external port comprises one or more of a charge port or a data transfer port.
26. The wireless device of claim 24, wherein the external port comprises a universal serial bus port.
27. The wireless device of claim 21, wherein the second modem comprises an embedded processor that communicates with the hardware processor.
28. The wireless device of claim 27, wherein the embedded processor is a control host for the second modem, and wherein the embedded processor is at least partially controlled by the hardware processor.
29. The wireless device of claim 21, further comprising a tuner configured to determine whether a receive signal is of the first receive band or the second receive band.

30. The wireless device of claim 21, wherein the hardware processor selects one of the first data network or the second data network to transmit a packet based on a comparison of a signal strength of the first data network and a signal strength of the second data network.
31. The wireless device of claim 21, wherein the first antenna comprises a primary antenna configured to transmit and receive signals of the first receive band and signals of the second receive band.
32. The wireless device of claim 21, further comprising a diversity antenna configured to receive signals of the first receive band or the second receive band.
33. The wireless device of claim 32, wherein the hardware processor is further configured to determine a signal strength of a connection to one of the first data network or the second data network based on a receive signal received by the diversity antenna.
34. The wireless device of claim 32, wherein the hardware processor is further configured to process data packets received at the diversity antenna from the first data network and to transmit data packets over the first data network via the first antenna.
35. The wireless device of claim 21, wherein the first subscriber identity module is in communication with the hardware processor and the second subscriber identity module is in communication with the second radio frequency subsystem.
36. The wireless device of claim 21, further comprising a third subscriber identity module associated with a third data network.
37. The wireless device of claim 36, wherein the first subscriber identity module and the third subscriber identity module are in communication with the hardware processor and the second subscriber identity module is in communication with the second radio frequency subsystem.

38. The wireless device of claim 21, wherein the first antenna comprises a first primary antenna in communication with the first radio frequency subsystem and the second antenna comprises a second primary antenna in communication with the second radio frequency subsystem.
39. The wireless device of claim 38, further comprising a first diversity antenna in communication with the first radio frequency subsystem and a second diversity antenna in communication with the second radio frequency subsystem, wherein the hardware processor is further configured to determine a signal strength of a connection to one of the first data network or the second data network based on a first receive signal received by the first diversity antenna or a second receive signal received by the second diversity antenna.
40. The wireless device of claim 21, wherein the first data network is implemented using a first communication technology and is associated with a first service provider, and the second data network is implemented using a second communication technology and is associated with a second service provider.
41. The wireless device of claim 21, wherein the hardware processor is further configured to cause a first signal strength of a first connection to the first data network and a second signal strength of a second connection to the second data network to be transmitted to a dynamic routing system, wherein the dynamic routing system is configured to compare the first signal strength and the second signal strength.
42. The wireless device of claim 21, wherein the hardware processor receives a selection of one of the first data network or the second data network from a dynamic routing system.
43. The wireless device of claim 42, wherein the dynamic routing system is configured to select one of the first data network or the second data network based at least in part on a first signal strength of a first connection to the first data network and a second signal strength of a second connection to the second data network.

44. The wireless device of claim 43, wherein the first signal strength and the second signal strength is determined by one or more of the hardware processor or the dynamic routing system.

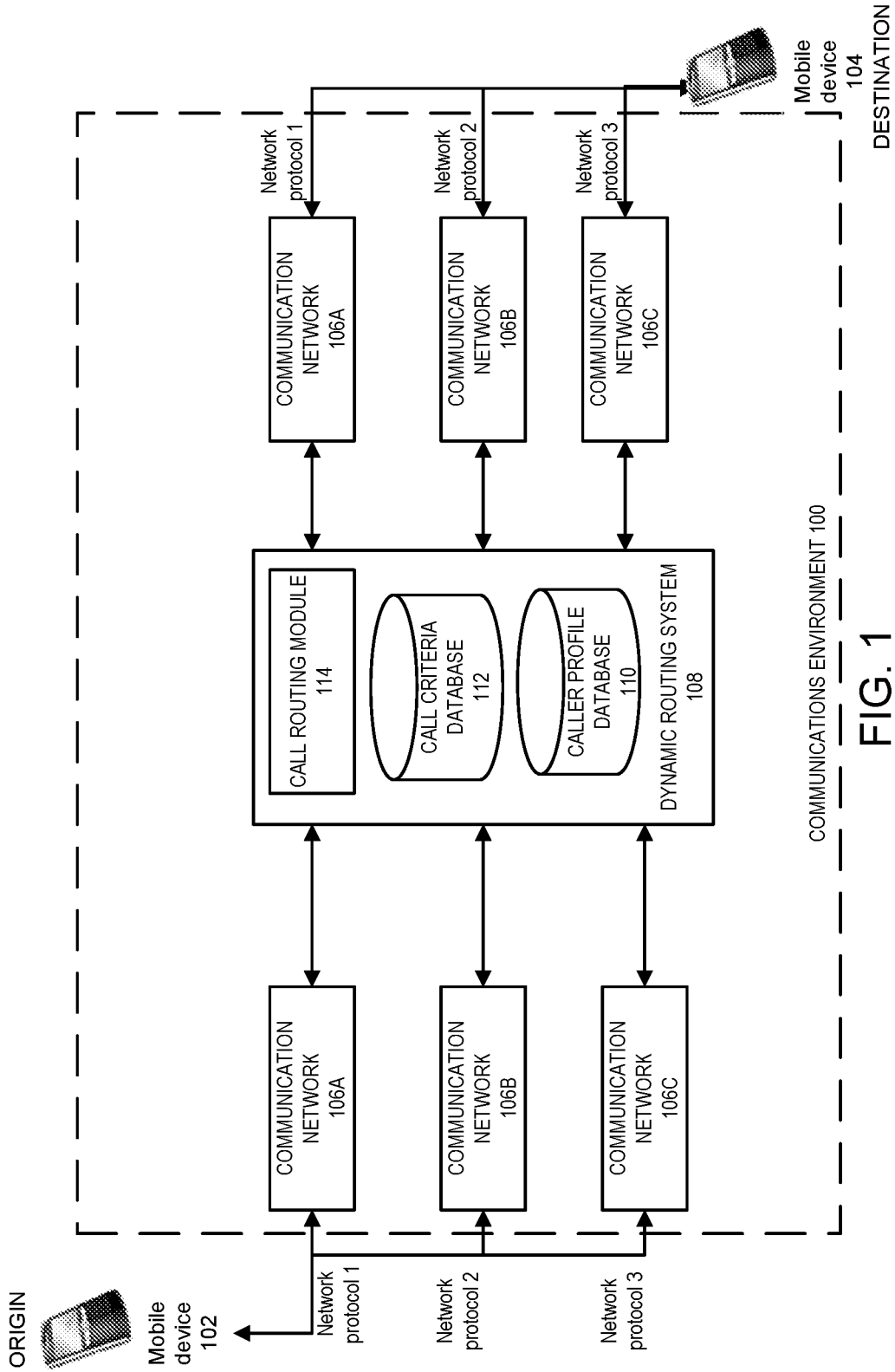
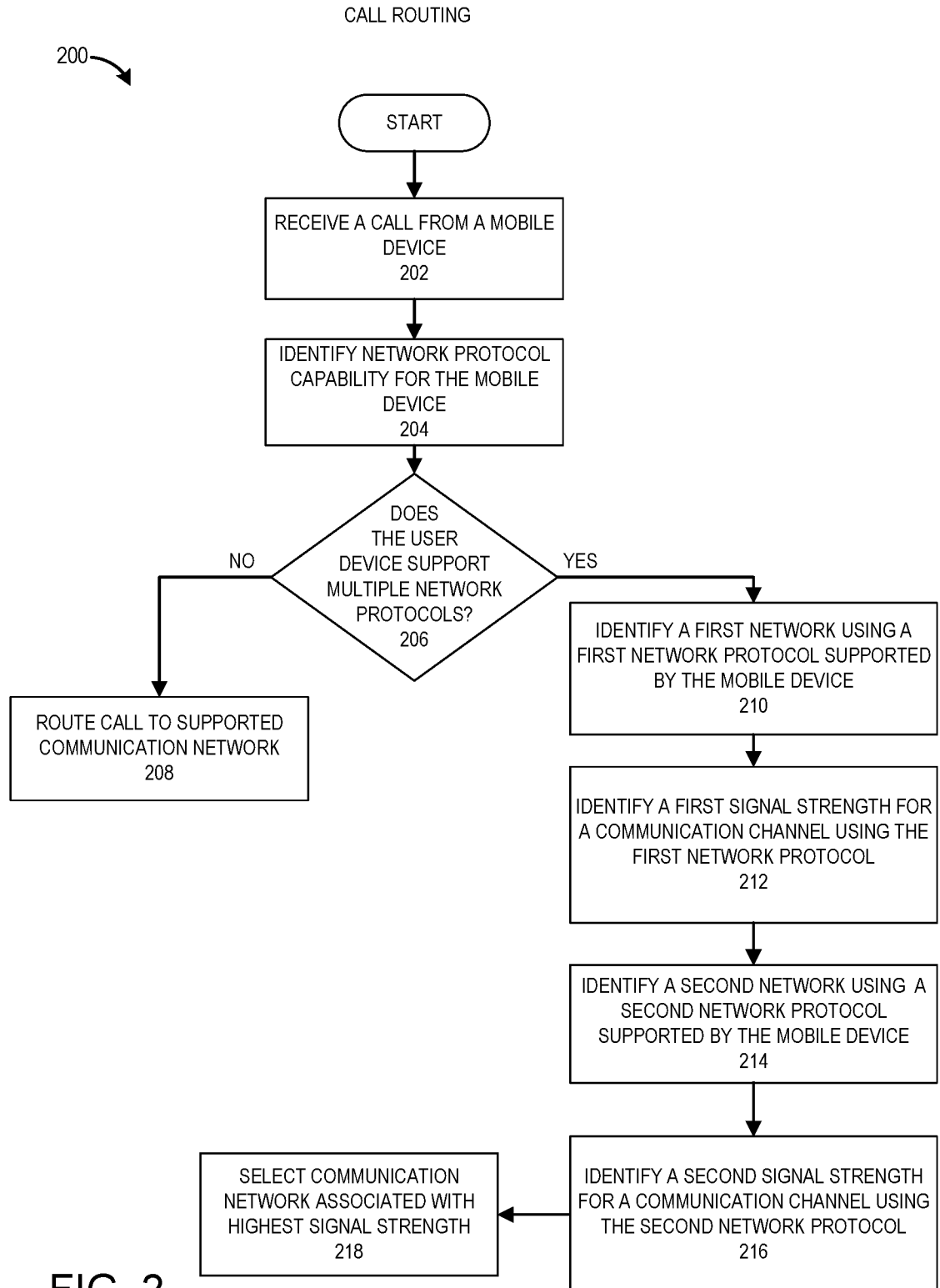


FIG. 1

2/14



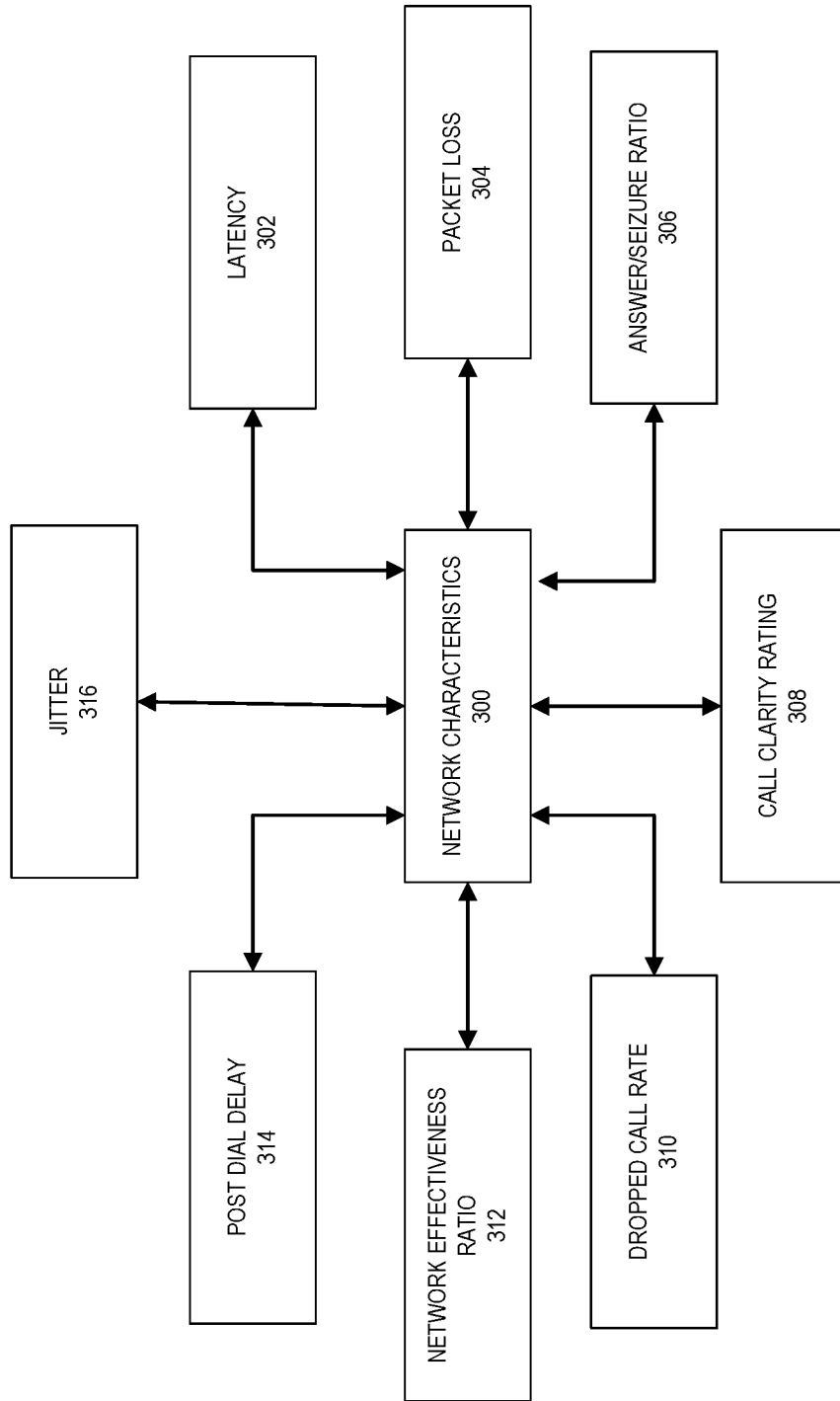


FIG. 3

4/14

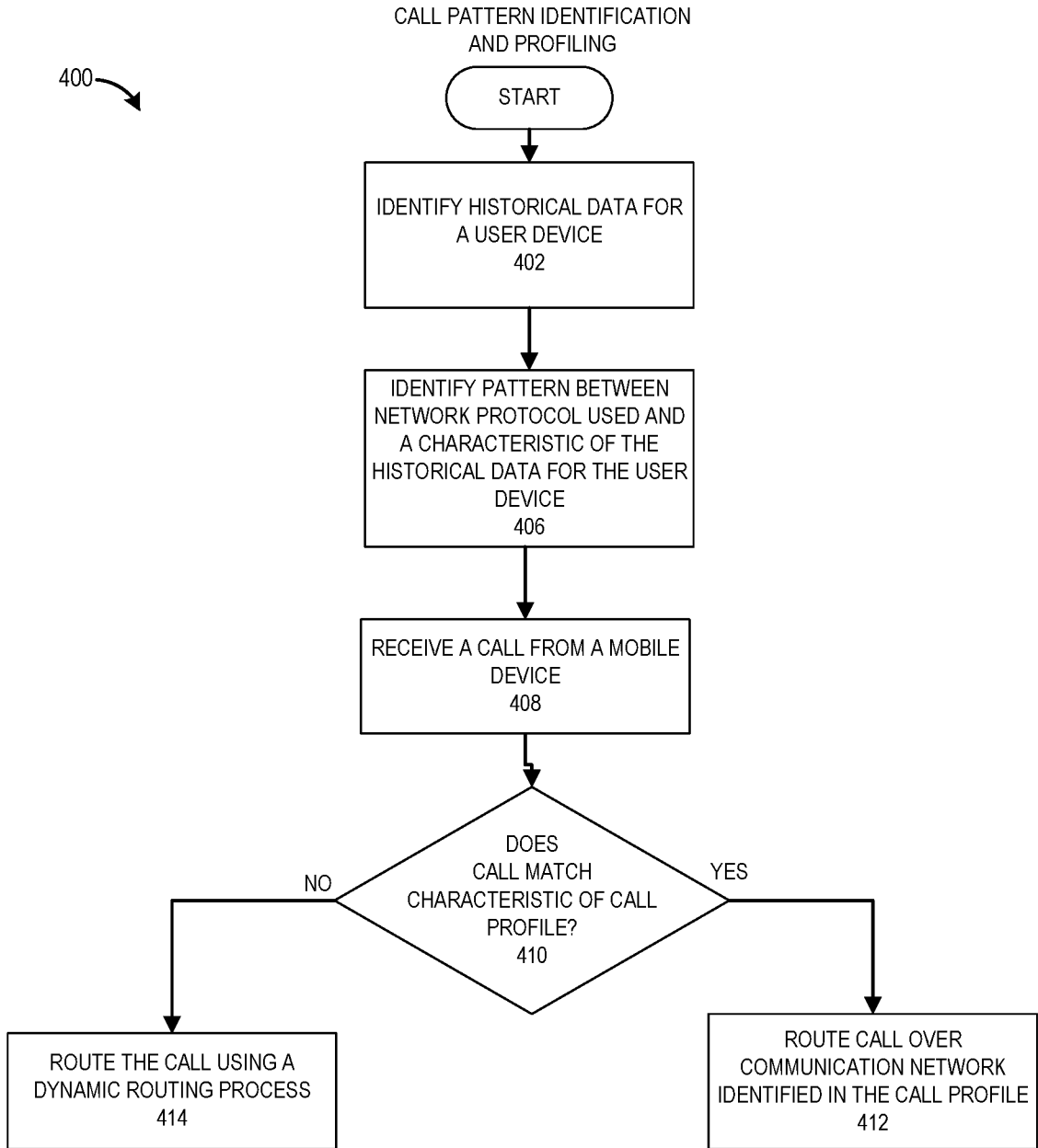


FIG. 4



FIG. 5

6/14

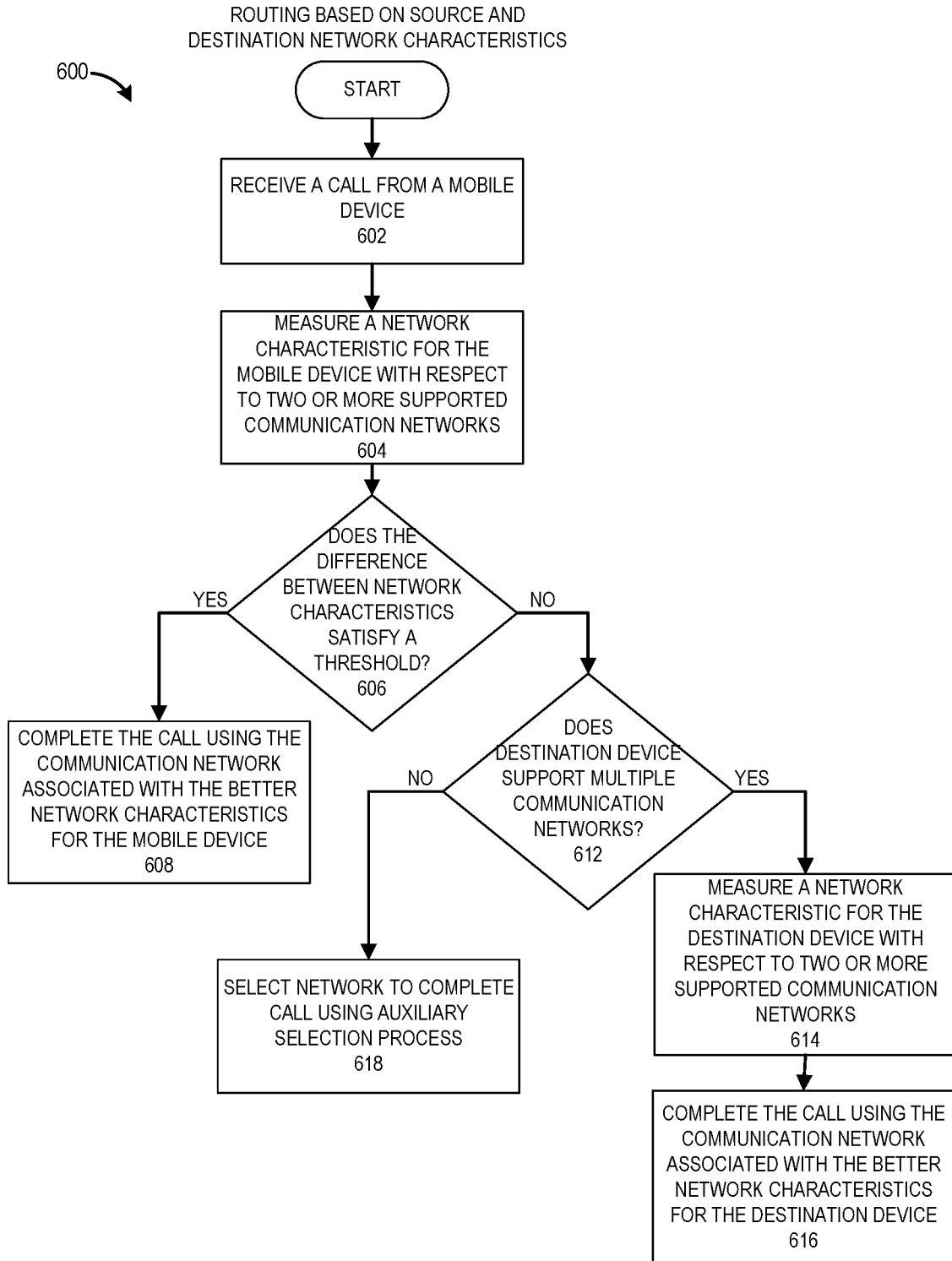


FIG. 6

7/14

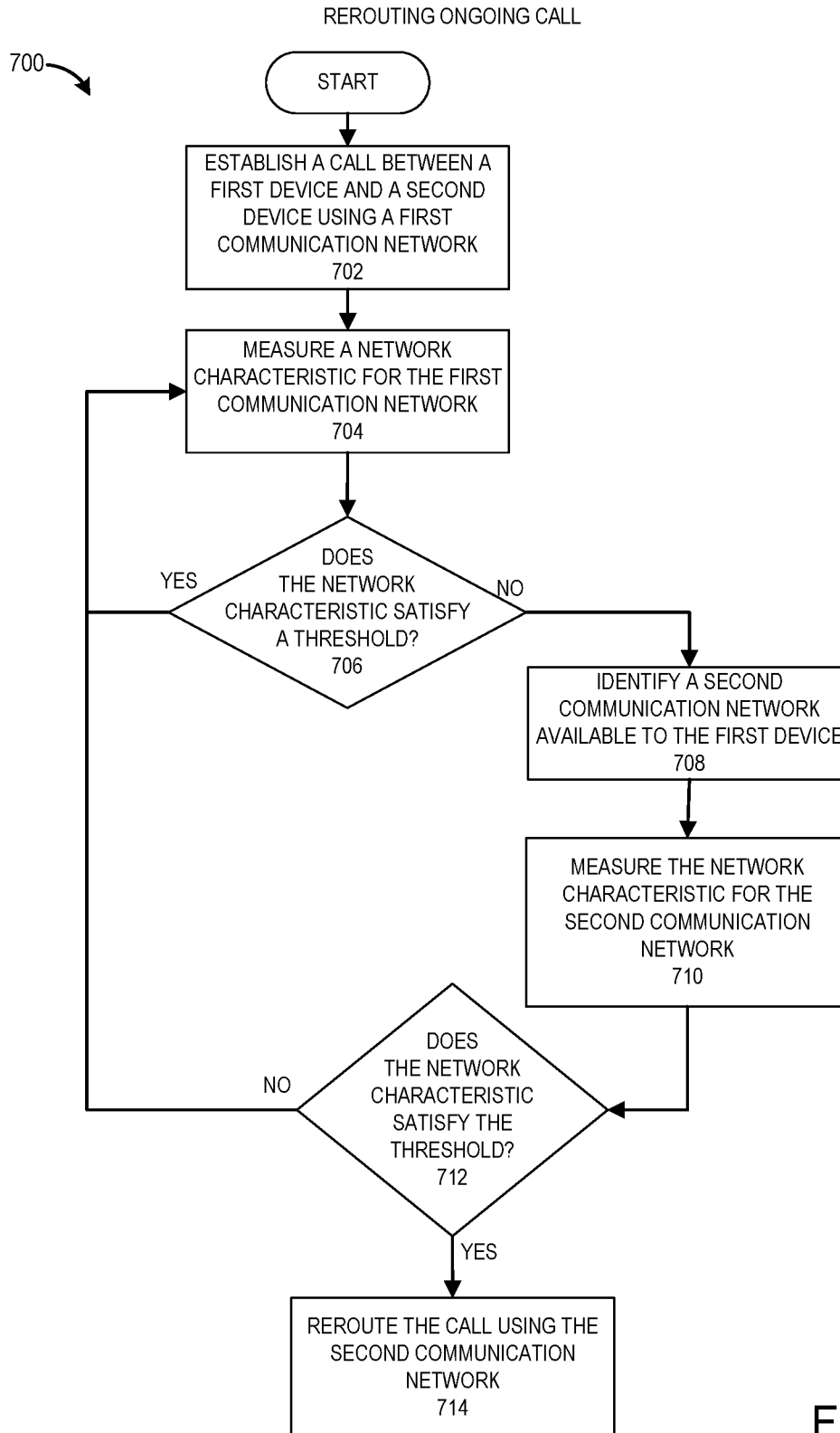


FIG. 7

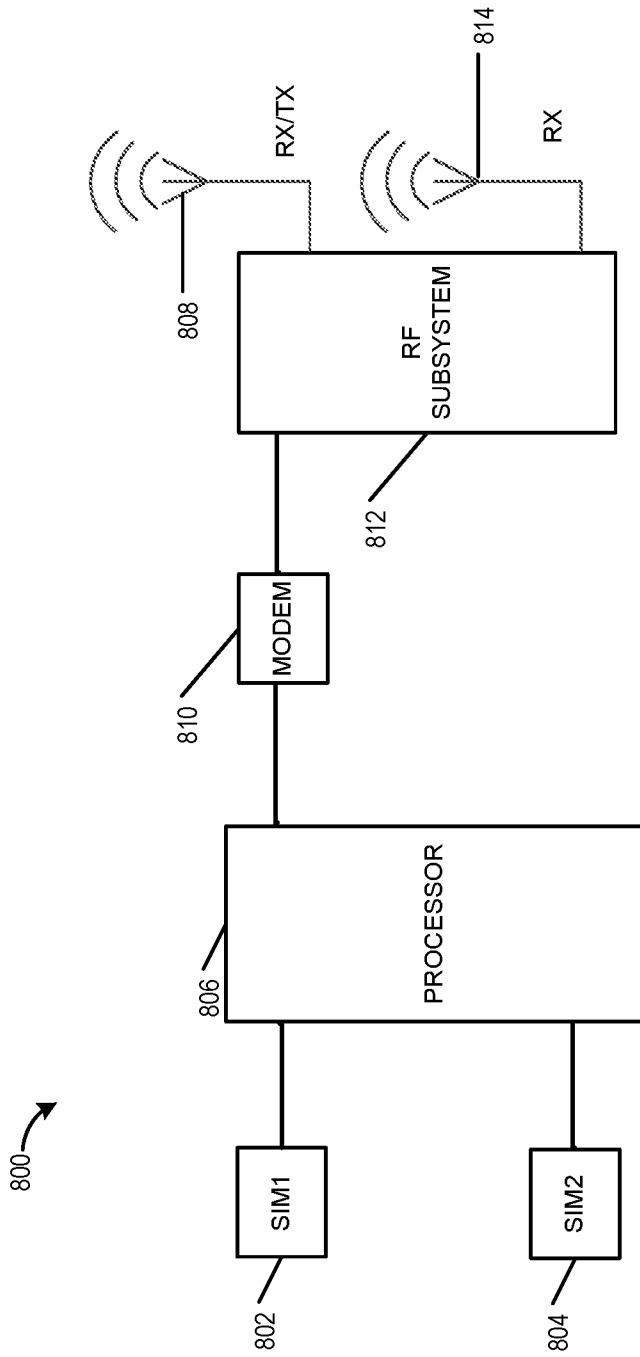


FIG. 8

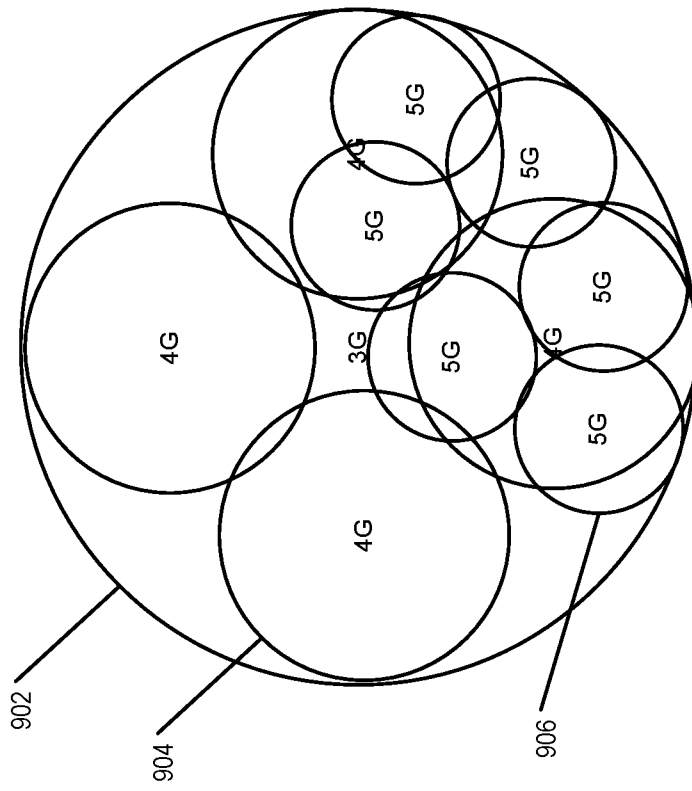


FIG. 9

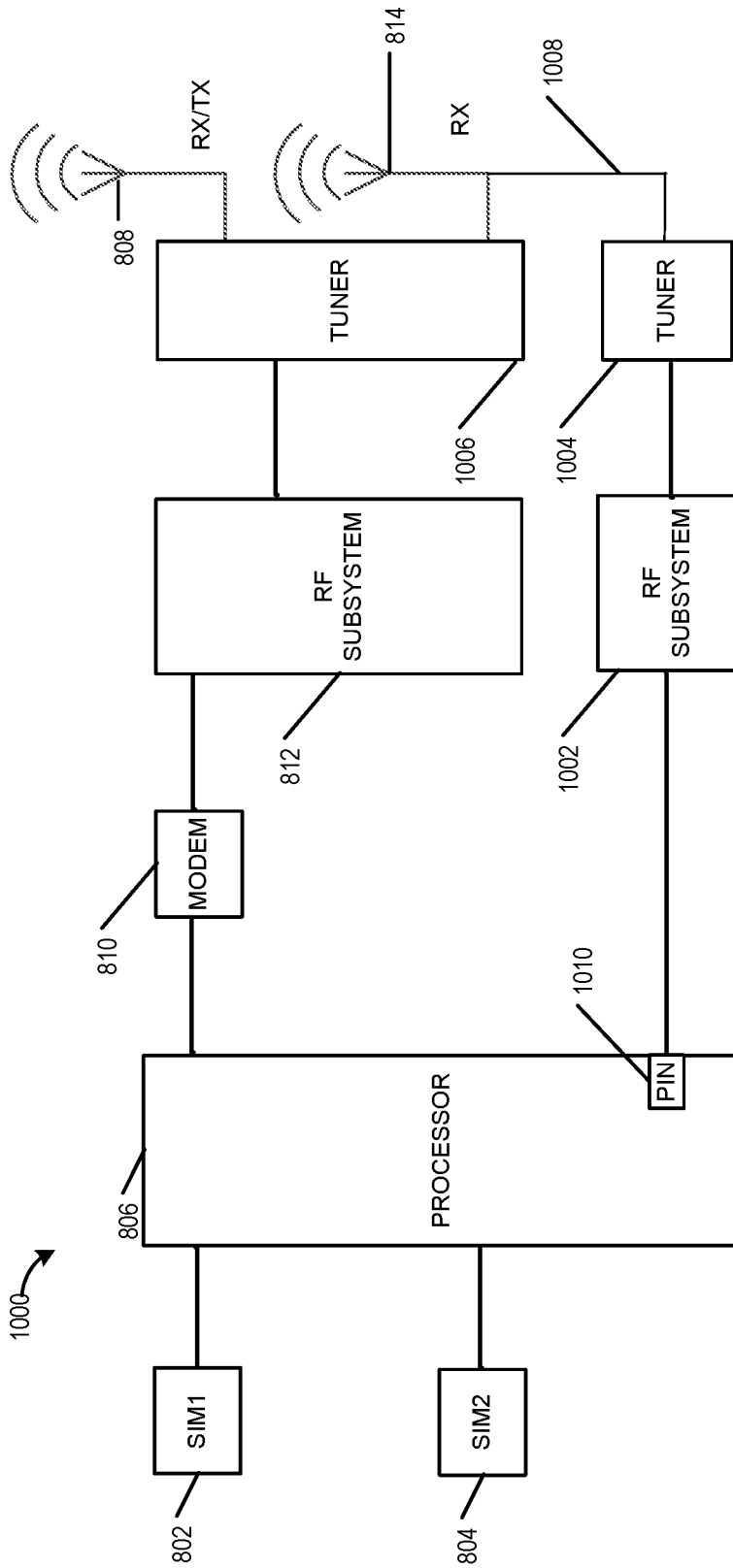


FIG. 10

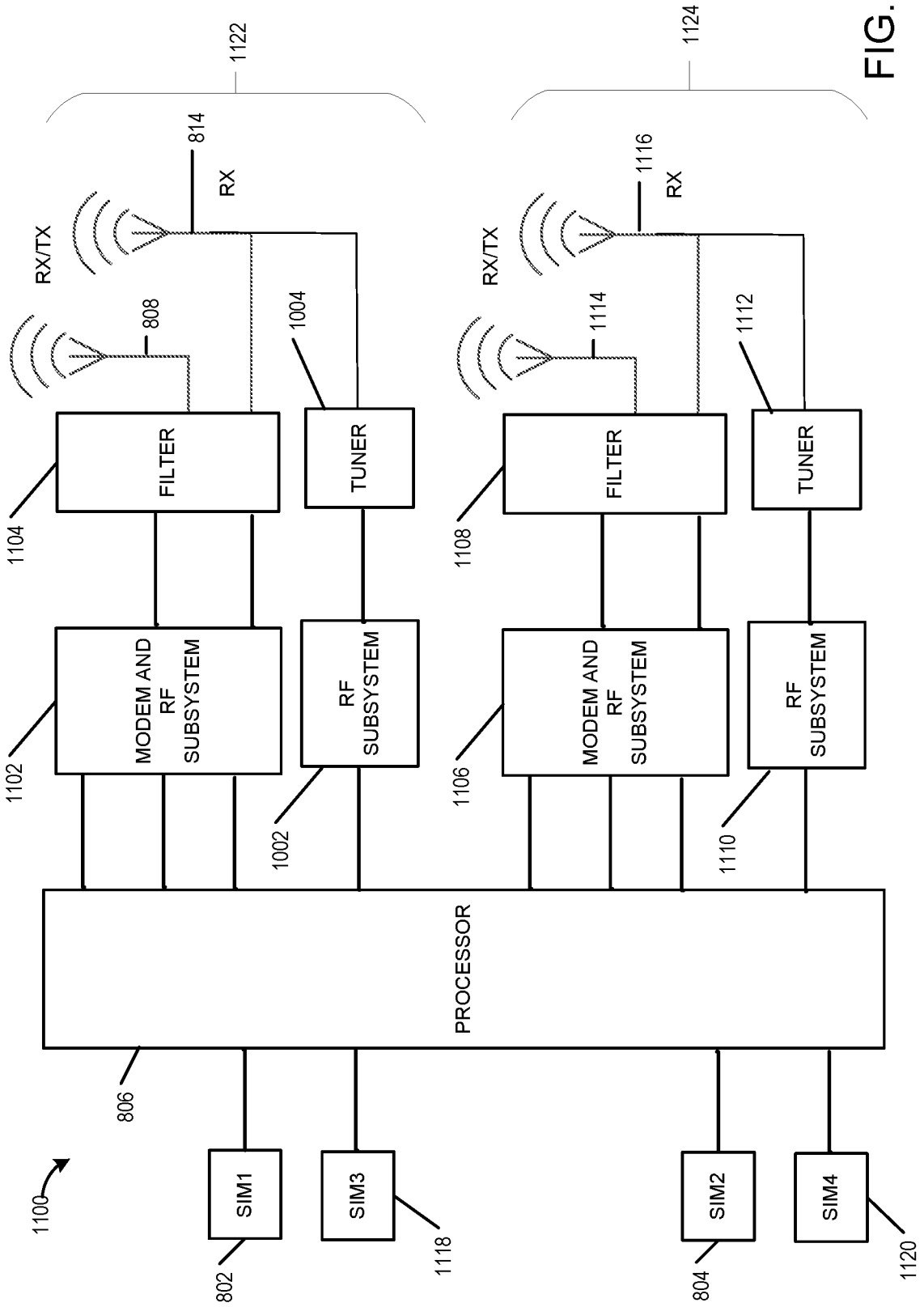


FIG. 11

12/14

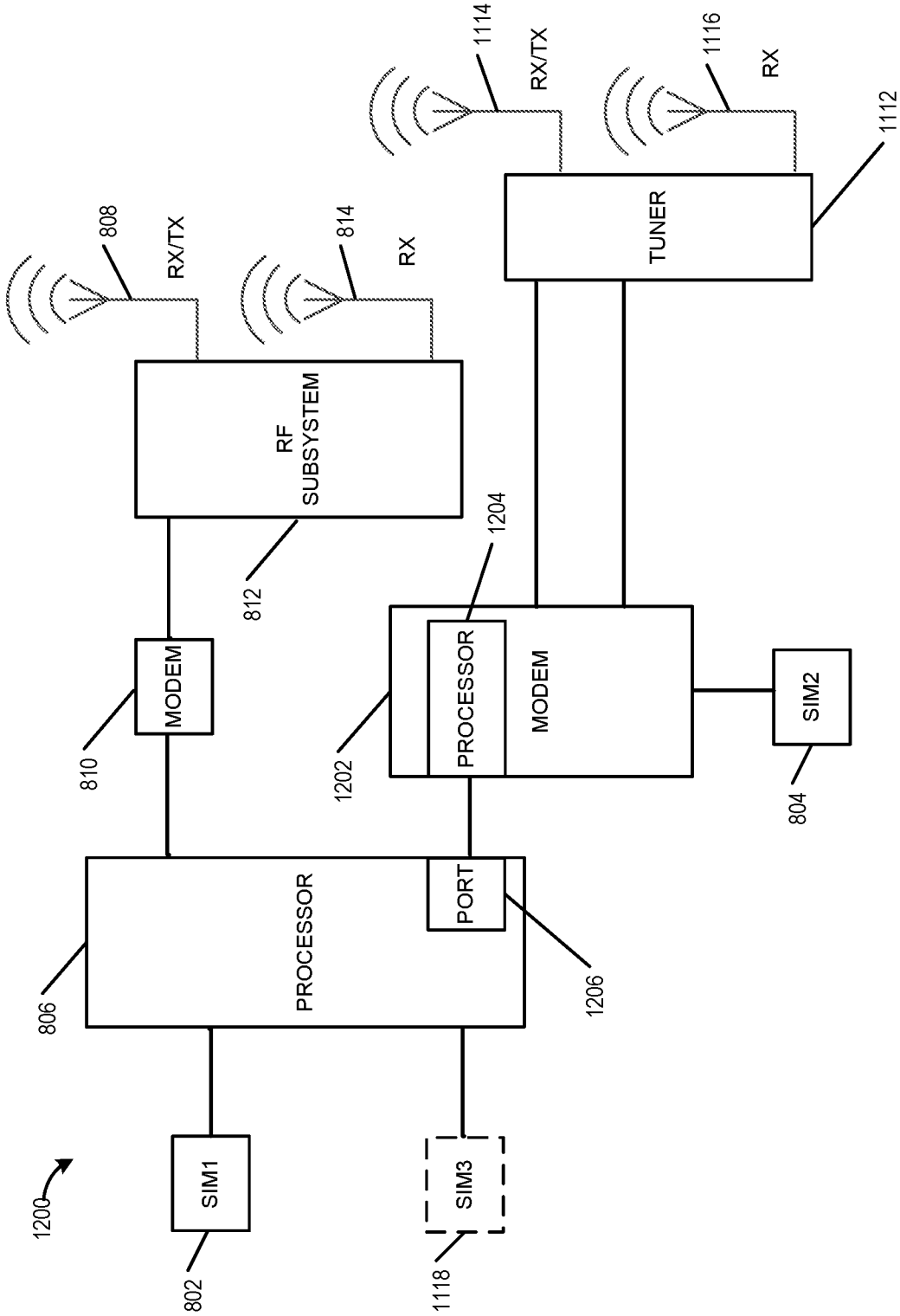


FIG. 12

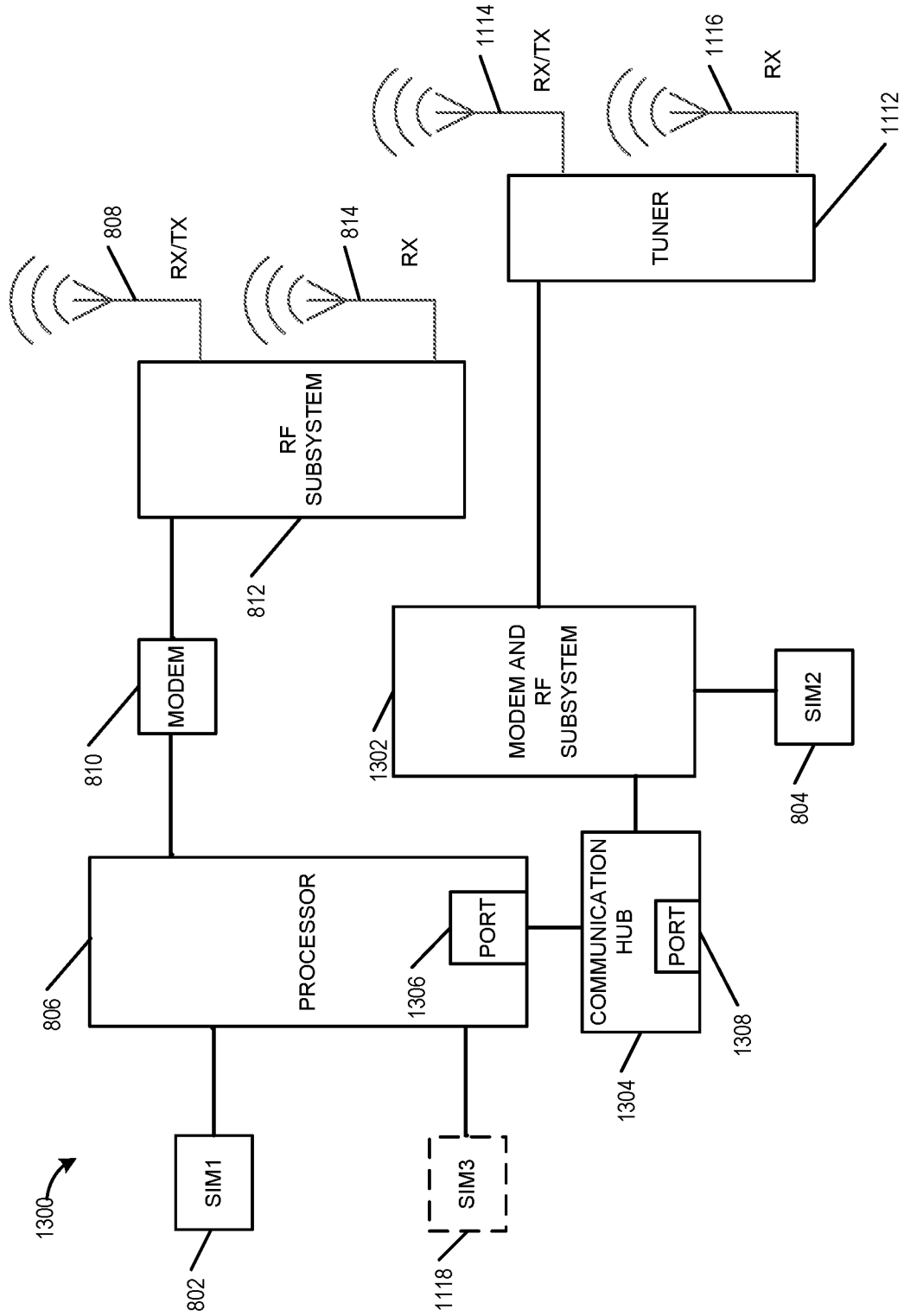


FIG. 13

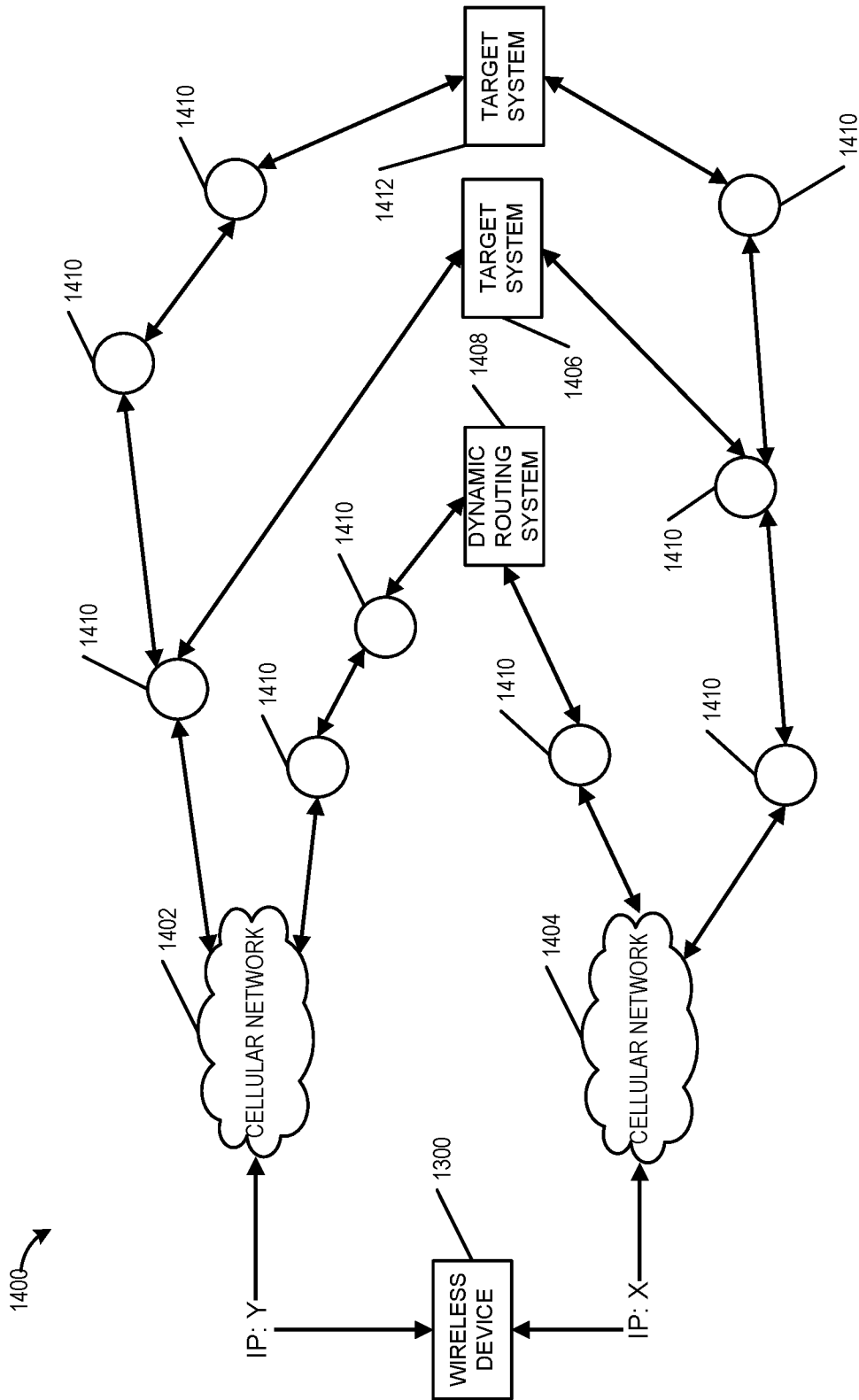


FIG. 14

ORIGIN



Mobile device 102

Network protocol 1

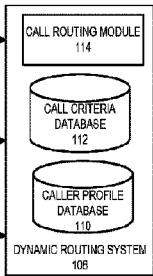
Network protocol 2

Network protocol 3

COMMUNICATION NETWORK 106A

COMMUNICATION NETWORK 106B

COMMUNICATION NETWORK 106C



COMMUNICATION NETWORK 106A

COMMUNICATION NETWORK 106B

COMMUNICATION NETWORK 106C

Network protocol 1

Network protocol 2

Network protocol 3

Mobile device 104

DESTINATION

COMMUNICATIONS ENVIRONMENT 100

