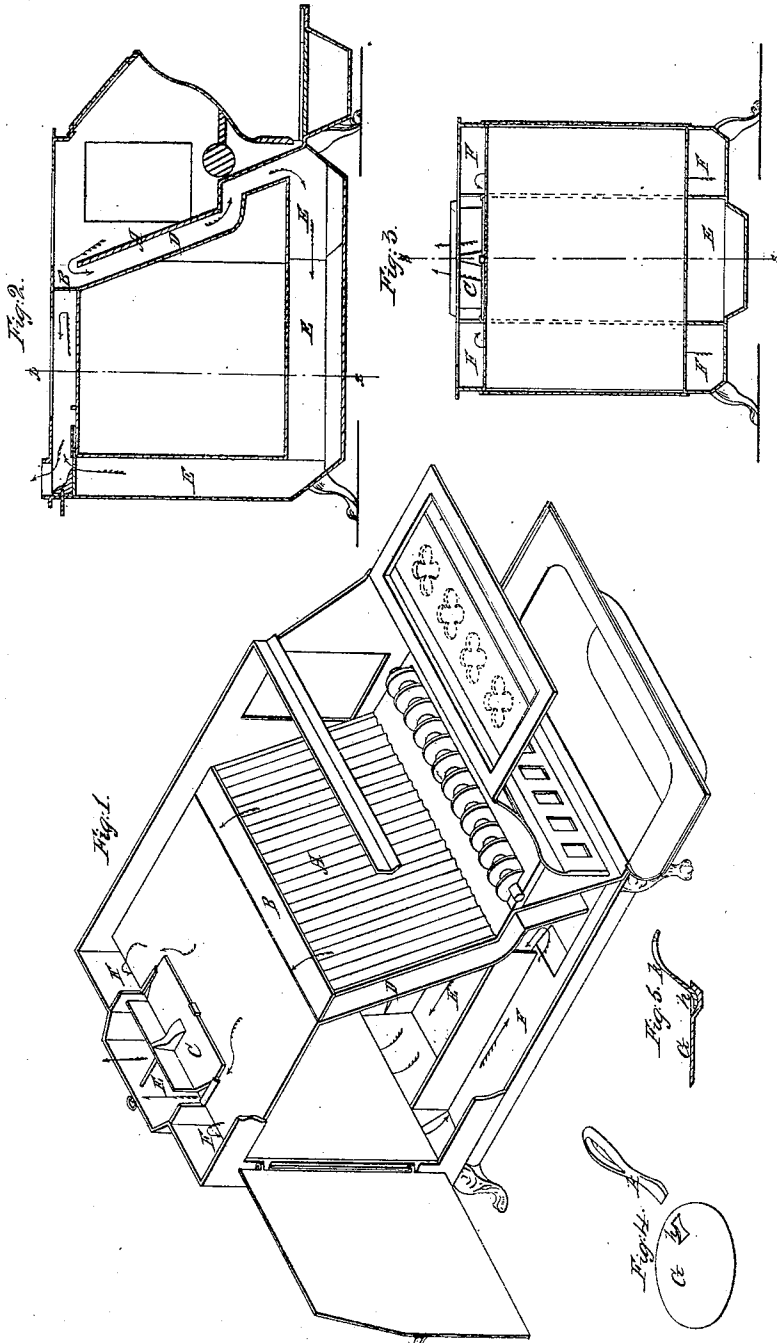


R. Wilson,

Cook Stove.

No. 6547.

Patented June. 19. 1849.



# UNITED STATES PATENT OFFICE.

ROSWELL WILSON, OF ALBANY, NEW YORK.

## COOKING-STOVE.

Specification of Letters Patent No. 6,547, dated June 19, 1849.

*To all whom it may concern:*

Be it known that I, ROSEWELL WILSON, of the city and county of Albany and State of New York, have invented a new and Improved Summer and Winter Cooking-Stove; and I do hereby declare the following to be full and exact description thereof, reference being had to the accompanying drawings, making a part of this specification, in which—

Figure 1, is a perspective view, with the top of the stove, one of the side plates, and the bottom oven plate removed; Fig. 2, a vertical longitudinal section through the center of Fig. 1; and Fig. 3, a vertical transverse section in the line *x x* of Fig. 2.

Similar letters indicate like parts in all the figures.

The nature of my invention consists in the arrangement of the plates, flues, and dampers, of a cooking stove in such a manner that the gaseous products of combustion may be conducted from the fire chamber to the smoke pipe by the various channels hereinafter set forth. First, by closing the damper B, as represented in Fig. 1, and putting the damper C, into the position represented in the same figure, the gaseous products of combustion will pass over the top of the oven and enter the side flues F, F, in which they will pass down the back and under the bottom of the oven to the front; where they will enter the central returning flue E, which will conduct them to the rear, under the oven and up its back to the discharging smoke pipe: Second by opening the damper B, as shown in Fig. 2, and closing the damper C, as shown in the same figure, the gaseous products of combustion will be conducted into the flue space D, in front of the oven, between the fire plate A, and the front plate of the oven, in which they will descend and pass into the side flues F, F, and be conducted by them under the oven and up its back to the space over the rear end of the oven, where they will be discharged into the smoke pipe: Third by opening the damper B, as shown in Fig. 2, and putting the damper C, into the position shown in Fig. 1, the gaseous products

of combustion will pass from the bottom of the flue D, into the central flue E, which will conduct them directly to the smoke pipe: Fourth by opening the damper B, as shown in Fig. 2, and partially closing the top of the flue E, by the damper C the gaseous products of combustion can be made to pass from the flue D, into the central flue E, and the two side flues F, F, in equal proportions to the smoke pipe.

When it is necessary to use all the boilers in the stove, (or all the boiler holes,) and to raise the temperature of the oven to the highest point; or when it is necessary that the stove should radiate the largest possible amount of heat into the room, the dampers are arranged in the manner first specified above: When it is only necessary to use a portion of the boiler holes, and a lower temperature of the oven is required, the dampers are arranged in the second manner above specified: When the smallest amount of cooking is to be performed, and it is desirable that the smallest possible amount of heat should be radiated from the stove into the room, the dampers are arranged in the third manner above specified. The fourth manner of arranging the dampers, or still different arrangements, may be made use of for the purpose of modifying and governing the temperature of the oven, or the temperature of the room.

Having this fully described my improved summer and winter cooking stove, what I claim as my invention and desire to secure by Letters Patent, is—

The surrounding the oven with flue spaces, when the said flue spaces are arranged and combined with each other and with the fire chamber and smoke pipe by means of dampers, (B. C.) in the manner and for the purpose substantially as herein represented and described.

The above specification signed and witnessed this 2nd day of Feb. 1849—

ROSWELL WILSON.

Witnesses:

Z. C. ROBBINS,  
L. S. SMITH.