



(51) International Patent Classification:

B65D 81/38 (2006.01) A47G 23/02 (2006.01)  
B65D 1/26 (2006.01)

(21) International Application Number:

PCT/US2019/027119

(22) International Filing Date:

12 April 2019 (12.04.2019)

(25) Filing Language:

English

(26) Publication Language:

English

(30) Priority Data:

62/657,246 13 April 2018 (13.04.2018) US  
62/674,834 22 May 2018 (22.05.2018) US  
62/794,131 18 January 2019 (18.01.2019) US

(71) Applicant: **GRAPHIC PACKAGING INTERNATIONAL, LLC** [US/US]; Law Department - 9th Floor, 1500 Riveredge Parkway, Suite 100, Atlanta, GA 30328 (US).

(72) Inventors: **VOGT, James**; 512 Lenora Drive, West Bend, WI 53090 (US). **BAIRD, Kyle**; 102 N. Water Street, #504, Milwaukee, WI 53202 (US). **MILEWSKI, Jozef**; 4049 Wexford Circle S., Richfield, WI 53076 (US). **MOHAN, Kosaraju**; W158 N9278 NOR-X-WAY Avenue, Menomonee Falls, WI 43051 (US).

(74) Agent: **CLAERBOUT, Andrew, N.**; Womble Bond Dickinson (US) LLP, P.O. Box 7037, Atlanta, GA 30357-0037 (US).

(81) Designated States (unless otherwise indicated, for every kind of national protection available): AE, AG, AL, AM, AO, AT, AU, AZ, BA, BB, BG, BH, BN, BR, BW, BY, BZ, CA, CH, CL, CN, CO, CR, CU, CZ, DE, DJ, DK, DM, DO, DZ, EC, EE, EG, ES, FI, GB, GD, GE, GH, GM, GT, HN, HR, HU, ID, IL, IN, IR, IS, JO, JP, KE, KG, KH, KN, KP, KR, KW, KZ, LA, LC, LK, LR, LS, LU, LY, MA, MD, ME, MG, MK, MN, MW, MX, MY, MZ, NA, NG, NI, NO, NZ, OM, PA, PE, PG, PH, PL, PT, QA, RO, RS, RU, RW, SA, SC, SD, SE, SG, SK, SL, SM, ST, SV, SY, TH, TJ, TM, TN, TR, TT, TZ, UA, UG, US, UZ, VC, VN, ZA, ZM, ZW.

(84) Designated States (unless otherwise indicated, for every kind of regional protection available): ARIPO (BW, GH, GM, KE, LR, LS, MW, MZ, NA, RW, SD, SL, ST, SZ, TZ, UG, ZM, ZW), Eurasian (AM, AZ, BY, KG, KZ, RU, TJ, TM), European (AL, AT, BE, BG, CH, CY, CZ, DE, DK, EE, ES, FI, FR, GB, GR, HR, HU, IE, IS, IT, LT, LU, LV, MC, MK, MT, NL, NO, PL, PT, RO, RS, SE, SI, SK, SM, TR), OAPI (BF, BJ, CF, CG, CI, CM, GA, GN, GQ, GW, KM, ML, MR, NE, SN, TD, TG).

(54) Title: CONTAINER WITH INSULATING FEATURES

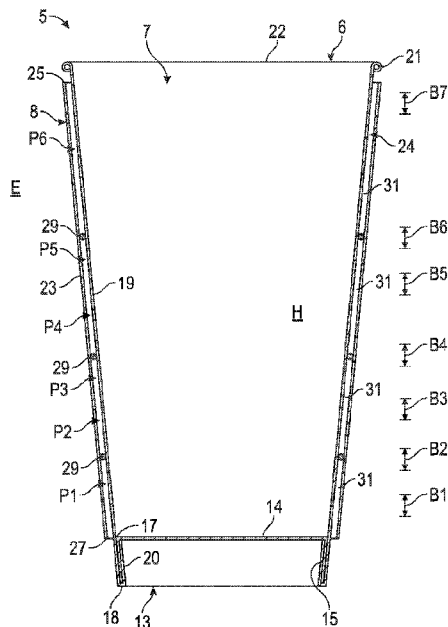


FIG. 2

(57) Abstract: A container for containing a fluid. The container includes a sidewall construct that includes an inner sidewall extending at least partially around an interior of the container, an outer sleeve attached to the inner sidewall, and a cavity defined between the inner sidewall and the outer sleeve. The container also includes a closed bottom defining a bottom of the interior of the container, and insulating features that include the cavity and a plurality of annular bands. Each annular band of the plurality of annular bands includes a plurality of spacers and a plurality of gaps separating respective adjacent spacers in a respective annular band, each spacer extends in the cavity from the inner sidewall to the outer sleeve.

WO 2019/200188 A1

**Declarations under Rule 4.17:**

- *as to applicant's entitlement to apply for and be granted a patent (Rule 4.17(ii))*
- *as to the applicant's entitlement to claim the priority of the earlier application (Rule 4.17(iii))*

**Published:**

- *with international search report (Art. 21(3))*

## CONTAINER WITH INSULATING FEATURES

### CROSS-REFERENCE TO RELATED APPLICATIONS

[0001] This application claims the benefit of each of U.S. Provisional Patent Application No. 62/657,246, filed on April 13, 2018, U.S. Provisional Patent Application No. 62/674,834, filed on May 22, 2018, and U.S. Provisional Patent Application No. 62/794,131, filed on January 18, 2019.

### INCORPORATION BY REFERENCE

[0002] The disclosures of each of U.S. Provisional Patent Application No. 62/657,246, filed on April 13, 2018, U.S. Provisional Patent Application No. 62/674,834, filed on May 22, 2018, and U.S. Provisional Patent Application No. 62/794,131, filed on January 18, 2019, are hereby incorporated by reference for all purposes as if presented herein in their entirety.

### BACKGROUND OF THE DISCLOSURE

[0003] The present disclosure generally relates to containers for containing fluids, for example, beverage containers. In one embodiment, the present disclosure relates to a container for heated fluids that includes insulating features.

### SUMMARY OF THE DISCLOSURE

[0004] According to one aspect of the disclosure, a container for containing a fluid comprises a sidewall construct, a closed bottom, and insulating features. The sidewall construct comprises an inner sidewall extending at least partially around an interior of the container, an outer sleeve attached to the inner sidewall, and a cavity defined between the inner sidewall and the outer sleeve. The closed bottom defines a bottom of the interior of the container. The insulating features comprise the cavity and a plurality of annular bands, each annular band of the plurality of annular bands comprises a plurality of spacers and a plurality of gaps separating respective adjacent spacers in a respective annular band, each spacer extends in the cavity from the inner sidewall to the outer sleeve.

[0005] According to another aspect of the disclosure, a sidewall construct for forming a fluid container comprises an inner sidewall for extending at least partially around an interior of a fluid container formed from the sidewall construct, an outer sleeve attached to the inner sidewall, and a cavity defined between the inner sidewall and the outer sleeve. The sidewall construct further comprises insulating features comprising the cavity and a plurality of annular bands, each annular band of the plurality of annular bands comprises a plurality of spacers and a plurality of gaps separating respective adjacent spacers in a respective annular band, each spacer extends in the cavity from the inner sidewall to the outer sleeve.

[0006] According to another aspect of the disclosure, a method of forming a container for containing a fluid comprises obtaining an inner sidewall and an outer sleeve and attaching the outer sleeve to the inner sidewall to form a sidewall construct with a cavity defined between the inner sidewall and the outer sleeve. The attaching comprises forming insulating features in the sidewall construct, the insulating features comprise the cavity and a plurality of annular bands, each annular band of the plurality of annular bands comprises a plurality of spacers and a plurality of gaps separating respective adjacent spacers in a respective annular band, each spacer extends in the cavity from the inner sidewall to the outer sleeve. The method further comprises forming an interior of the fluid container by positioning the sidewall construct so that the inner sidewall extends at least partially around the interior. The method further comprises positioning a closed bottom relative to the sidewall construct to define a bottom of the interior.

[0007] According to common practice, the various features of the drawings discussed below are not necessarily drawn to scale. Dimensions of various features and elements in the drawings may be expanded or reduced to more clearly illustrate the embodiments of the disclosure.

#### **BRIEF DESCRIPTION OF THE DRAWINGS**

[0008] Fig. 1 is a perspective view of a container according to a first exemplary embodiment of the disclosure.

[0009] Fig. 2 is a schematic cross-sectional view of the container of Fig. 1.

[0010] Fig. 3 is a front view of the container of Fig. 1 with an outer sleeve removed.

[0011] Fig. 4 is a schematic cross-sectional view of a pair of containers, each as shown in Fig. 1, in a nested configuration.

[0012] Corresponding parts are designated by corresponding reference numbers throughout the drawings.

#### **DETAILED DESCRIPTION OF THE EXEMPLARY EMBODIMENTS**

[0013] Containers according to the present disclosure can accommodate fluids, e.g., beverages, of different sizes and compositions. For the purpose of illustration and not for the purpose of limiting the scope of the disclosure, the following detailed description describes a container for heated fluids, e.g., coffee or coffee-based products, tea, hot chocolate, cider, soup, etc. It will be understood that the containers described herein can hold cold beverages or room temperature beverages, and can hold at least partially solid food products, without departing from the disclosure.

[0014] In this specification, the terms “lower,” “bottom,” “upper,” and “top” indicate orientations determined in relation to fully erected and upright containers. As described herein, containers can be formed from blanks by overlapping multiple portions, panels, and/or end flaps. Such portions, panels, and/or end flaps may be designated herein in terms relative to one another, e.g., “first”, “second”, “third”, etc., in sequential or non-sequential reference, without departing from the disclosure.

[0015] Fig. 1 is a perspective view, and Fig. 2 is a schematic cross-sectional view, of a fluid vessel or fluid container 5 according to a first exemplary embodiment of the disclosure. In one embodiment, the container 5 is a cup having the general shape of a truncated cone, with an open top 6, a closed bottom 13, and a sidewall construct 8 extending from a bottom edge to a top edge of the container 5. The closed bottom 13 and the sidewall construct 8 define an interior space 7 of the container 5 that is for holding fluids, e.g. hot beverages such as tea, coffee, cider, hot chocolate, etc.

[0016] In the illustrated embodiment, the sidewall construct 8 comprises an annular inner sidewall 19 (broadly, “inner wall”) and an outer sleeve 23 (broadly, “outer wall”) attached to the inner sidewall 19 such that the sidewall construct 8 can be referred to as a double wall structure. As described herein, the container 5 includes insulating features in the sidewall construct 8 that include radially adjacent spacers 29 separated by respective radial gaps 31. The spacers 29 can be at least partially formed from an adhesive, such as a hot melt glue or other glue, and can extend from the inner sidewall 19 to the outer sleeve 23 to adhesively attach the outer sleeve 23 to the inner sidewall 19. In one embodiment, the spacers 29 can be formed from a different polymeric material.

[0017] As discussed further herein, the insulating features of the container 5 are arranged such that cost and materials savings can be realized, and so that an insulation profile of the container 5 can be selected so as to be enhanced, for example, so that the fluid in the container 5 can be maintained at a selected or desired temperature or temperature range, and such that a customer can be provided with a more comfortable surface about which to grasp the container 5.

[0018] As shown in Fig. 2, the bottom 13 of the container 5 includes a generally circular bottom panel 14 and an annular leg 15 foldably connected to and downwardly-depending from the bottom panel 14 at a circular line of weakening 17. The annular inner sidewall 19 extends upwardly from the bottom panel 14 to define the interior 7 of the container 5. As also shown, the inner sidewall 19 extends downwardly below the bottom panel 14 to define a lower edge margin 20 thereof, along a portion of which the annular leg 15 is adhesively attached to secure the bottom panel 14 to the inner sidewall 19 and to form the bottom 13 of the interior 7 of the container 5.

[0019] As shown, the lower edge margin 20 of the inner sidewall 19 extends along the outer surface of the annular leg 15, wraps under a bottom edge or lower edge thereof, and extends upwardly along the interior surface of the annular leg 15 toward the bottom panel 14. The lower edge margin 20 of the inner sidewall 19 can be an at least partially flexible portion of the inner sidewall 19 configured to engage the annular leg 15, and can include surface features to facilitate such engagement, for example, an adhesive treatment and/or frictionally-enhancing patterning. As described herein, the portion of the lower edge margin 20 of the inner sidewall 19 overlying the lower edge of the annular leg 15 will define a bottom edge or lower edge 18 of the inner sidewall 19. In one embodiment, the lower edge of the annular leg 15 can define the lower edge of the coupled inner sidewall 19 and the bottom 13. The bottom 13 can be secured to the sidewall construct 8 in a different configuration without departing from the disclosure.

[0020] As shown, an upper portion of the inner sidewall 19 is curved or curled to define a top or upper rim 21 of the container 5 that circumscribes an opening 22 in communication with the interior 7 of the container 5. The rim 21 and/or an upper portion of the container 5 can be flanged or otherwise configured to engage a lid or other top container closure structure.

[0021] In one embodiment, the bottom 13 of the container 5 can be integrally formed with the inner sidewall 19, e.g., such that the annular leg 15 is integrally formed with the inner sidewall 19, or the bottom 13 can be otherwise attached to a portion of the inner sidewall 19 by other attachment means, for example, crimping, heat sealing, etc.

[0022] In one embodiment, the illustrated configuration of the truncated conical shape of the container 5 can be achieved by forming the inner sidewall 19 from a flat blank that is folded around a mandrel such that an overlapping seam is provided, and which can be secured, for example, with an adhesive such as glue. The generally truncated conical shape of the sleeve 23 can be formed in a similar manner, or can be formed through a different process without departing from the disclosure.

[0023] The arrangement of the bottom panel 14 and the annular leg 15 of the closed bottom 13 of the container 5 can be formed, in one example, by providing a generally circular blank having an outer periphery that is downwardly folded to provide the annular leg 15 that intersects the bottom panel 14 at the line of weakening 17. It will be understood that the container 5 can have a different configuration and can be formed by other methods and mechanisms without departing from the disclosure.

[0024] Still referring to Figs. 1 and 2, the outer sleeve or sleeve 23, e.g., a wrap or other layer, is disposed in at least partial circumferential engagement with the inner sidewall 19 such that the sleeve 23 presents an outer surface of the container 5 for engagement by a customer, e.g., such that the

customer can wrap his or her fingers around a portion of the sleeve 23. The sleeve 23 can be formed, for example, from materials that include single layer structures, multi-layer structures (with or without inserts therebetween), corrugated materials, etc.

[0025] As shown, the sleeve 23 includes an upper edge 25 proximate the rim 21 and a lower edge 27 proximate the lower portion of the inner sidewall 19 generally adjacent the bottom 13. As described herein, at least the interface between the sleeve 23 and the inner sidewall 19 provide insulating features of the container 5 that include a cavity 24 defined between the inner sidewall 19 and the outer sleeve 23. The insulating features of the container 5 can also include one or more portions of the inner sidewall 19 and/or the sleeve 23.

[0026] Referring additionally to Fig. 3, a front view of the container 5 with the sleeve 23 removed is illustrated. As shown, a plurality of annular bands B1, B2, B3, B4, B5, B6, and B7 of adhesive are applied around the circumference of the inner sidewall 19 and are positioned between the inner sidewall 19 and the outer sleeve 23 to attach the outer sleeve 23 to the inner sidewall 19 and to form the spacers 29. One or more of the annular bands B1, B2, B3, B4, B5, B6, and B7 can be a discontinuous pattern of adhesive such that the bands comprise adhesive that form the spacers 29 that each extend from the inner sidewall 19 to the outer sleeve 23, and the gaps 31 are radially spaced between adjacent spacers 29 along the circumferential length of each of the respective bands around the inner sidewall 19. In one embodiment, the gaps 31 are sections of each respective band that can be voids, interruptions, or discontinuities of the material that forms the spacers 29 along the bands B1, B2, B3, B4, B5, B6, and B7. It will be understood that a different numbers of bands of spacers 29 can be provided without departing from the disclosure.

[0027] The spacers 29, as shown, can be elongate members, for example, beads, dots, dashes, tracks, trails, and/or other arrangements of material. The spacers 29 can be formed of a composite material or polymeric material, such as a hot melt adhesive or other type of adhesive or glue, though the spacers 29 could be material other than adhesive and the outer sleeve 23 could be attached to the inner wall 19 by means other than the annular bands without departing from the disclosure.

[0028] In the illustrated embodiment, the spacers 29 can provide and/or maintain spacing between the inner sidewall 19 and the sleeve 23, and can additionally provide an attachment, e.g., adhesion, between the inner sidewall 19 and the sleeve 23. As shown, the spacers 29 have a length L1 corresponding to the length of an arc around the circumference of the portion of the inner sidewall 19 covered by the spacer 29, with the length L1 extending between respective first and second ends 29a, 29b of a spacer 29. Similarly, the gaps 31 have a length L2 corresponding to the length of an arc around the circumference of the portion of the inner sidewall 19 corresponding to the location of the gap that is a portion of the corresponding band that is void of the material that forms the spacers 29,

with the length L2 extending from a second end 29b to a first end 29a of adjacent spacers 29. In one embodiment, the length L1 can be greater than the length L2. In another embodiment, the length L2 can be greater than the length L1.

[0029] The sum of the lengths L2 of respective gaps 31 of a respective annular band of spacers 29 can correspond to a materials savings of the respective annular band, and by extension, the container 5. Such material savings can be represented as a percentage of the material of a comparative annular band having a continuous spacer (i.e., with substantially no gaps therealong), for example, between about 20% and about 80% of such material, such as 20%, 25%, 30%, 35%, 40%, 45%, 50%, 55%, 60%, 65%, 70%, 75%, 80%, or other integer or non-integer numbers therebetween. Accordingly, the materials savings of the entire container 5 can be determined by the summation of the material corresponding to the respective lengths L2 of all gaps 31 in the annular bands B1, B2, B3, B4, B5, B6, B7, and can be represented as a percentage of material of a summed comparative set of annular bands having respective continuous spacers as described above.

[0030] While the spacers 29 and the gaps 31 have been shown as having a generally uniform configuration along the container 5, it will be understood that one or more spacers 29 and/or gaps 31 can have a different configuration without departing from the disclosure.

[0031] Still referring to Figs. 1-3, the spacers 29 and the gaps 31 of the bands B1, B2, B3, B4, B5, B6, B7 are arranged along the inner sidewall 19 such that a plurality of fluid pathways F1, F2 are presented around the spacers 29 and through respective gaps 31 between the upper edge 25 of the sleeve 23 and the lower edge 27 of the sleeve 23 (shown with broken lines in Fig. 3 for reference). While two fluid pathways F1, F2 are illustrated, the configuration of the annular bands B1, B2, B3, B4, B5, B6, B7 provide much more than two possible fluid pathways. The configuration of the fluid pathways F1, F2 can be at least partially defined by the arrangement and relative offset of spacers 29 and gaps 31 in adjacent bands B1, B2, B3, B4, B5, B6, B7, which can be uniform or non-uniform, such that the fluid pathways F1, F2 can have a substantially linear (e.g., vertical or oblique) or curved configuration. As shown, vertically-adjacent gaps 31 are generally offset from one another, though vertically adjacent gaps 31 in one or more of the bands B1, B2, B3, B4, B5, B6, B7 can be aligned without departing from the disclosure. In one embodiment, the fluid pathways F1, F2 can follow a substantially torturous or serpentine path. It will be understood that the fluid pathways F1, F2 can be defined around spacers 29 through gaps 31 that are not necessarily adjacent, e.g., such that fluid pathways F1, F2 can extend at least partially around the inner sidewall 19 between one or more of bands B1, B2, B3, B4, B5, B6, B7 before traveling through a vertically-adjacent gap 31 without departing from the disclosure.

[0032] In one embodiment, the configuration of the bands B1, B2, B3, B4, B5, B6, B7 that create the tortious pathways F1, F2 help create resistance to air flow from the cavity 24 between the inner sidewall 9 and the outer sleeve 23, to the environment outside the cavity 24 which helps maintain the temperature of the beverage in the container by reducing the amount of heat transfer from the cavity 24 to the atmosphere E (Fig. 2).

[0033] As shown in Fig. 2, a pocket P1 is formed in the cavity 24 between the inner sidewall 19 and the sleeve 23 between the band B1 and the band B2, a pocket P2 is formed in the cavity 24 between the inner sidewall 19 and the sleeve 23 between the band B2 and the band B3, a pocket P3 is formed in the cavity 24 between the inner sidewall 19 and the sleeve 23 between the band B3 and the band B4, a pocket P4 is formed in the cavity 24 between the inner sidewall 19 and the sleeve 23 between the band B4 and the band B5, a pocket P5 is formed in the cavity 24 between the inner sidewall 19 and the sleeve 23 between the band B5 and the band B6, and a pocket P6 is formed in the cavity 24 between the inner sidewall 19 and the sleeve 23 between the band B6 and the band B7. At least the pockets P1, P2, P3, P4, P5, P6 provide insulating gaps or spaces between the inner sidewall 19 and the sleeve 23.

[0034] In one embodiment, each pocket P1, P2, P3, P4, P5, P6 can have a width measured from the inner sidewall 19 to the sleeve 23 and at least partially determined by the size of the spacers 29, which can also have such width, for example, between about 30 mils to about 40 mils, e.g. about 30 mils, about 31 mils, about 32 mils, about 33 mils, about 34 mils, about 35 mils, about 36 mils, about 37 mils, about 38 mils, about 39 mils, or about 40 mils, or non-integer numbers therebetween.

[0035] The arrangement of the spacers 29 and the gaps 31 along the inner sidewall 19 is such that the gaps 31 provides for fluid communication/air flow between the respective pockets at various locations along the container 5. In one embodiment, the fluid pathways F1, F2 comprise one or more of the respective pockets P1, P2, P3, P4, P5, P6.

[0036] In this regard, the arrangement of the spacers 29 and the gaps 31 of the annular bands B1, B2, B3, B4, B5, B6, B7 provide the one or more fluid pathways. The disclosed arrangement of insulating features is such that heat H generated or held by a fluid in the interior 7 of the container 5 can transfer, for example, through conduction, convection, and/or radiation, through the inner sidewall 19 and/or spacers 29 into one or more of the pockets P1, P2, P3, P4, P5, P6, and can be released into the external environment E via the one or more fluid pathways, e.g., F1, F2. Such insulating features can maintain the temperature of the fluid inside the container 5 by resisting heat transfer from the cavity 24 between the inner sidewall 19 and the sleeve 23 to the atmosphere E while still maintaining a desired surface temperature of the sleeve 23 to facilitate grasping by a customer.

[0037] Further, in one embodiment, the surface temperature of the sleeve 23 can be higher at points along the sleeve 23 that are aligned with the spacers 29, for example, due to thermal conduction of heat H through the solid material of the spacers 29, i.e., such that the spacers 29 are formed of a thermally-conductive material. Accordingly, regions of the sleeve 23 aligned with the gaps 31 and/or the pockets P1, P2, P3, P4, P5, P6 present surface regions of lower temperature at which a user can grasp the sleeve 23, for example, by shifting the placement of his or her fingers along the sleeve 23 to provide for more comfortable use of the container 5. In this regard, the dimensioning and arrangement of the spacers 29 and the gaps 31 can be selected to provide a desired thermal profile along the outer surface of the sleeve 23 when the container 5 is filled with a hot fluid such as tea, coffee, cider, hot chocolate, etc. In one embodiment, the fluid in the container 5 can have a temperature up to, including, or greater than about 190°F.

[0038] The aforementioned reduction in material for forming the annular bands B1, B2, B3, B4, B5, B6, B7 of spacers 29 with gaps 31 can provide material and cost-saving benefits as compared to annular bands of continuous spacers with no gaps, e.g., by reducing the cost and materials required to form the container 5, and can also provide streamlining in product production and waste management. In addition to or in the alternative, the relative configuration of the spacers 29 and the gaps 31 can impart desired structural properties to the container 5, for example, by providing a desired pattern of rigidity such that an optimal pattern of flexion is provided to the container 5 during use. For example, upon grasping of the sidewall construct 8 by a customer, portions of the sleeve 23/inner sidewall 19 can bend or flex inwardly into one or more of the gaps 31 or pockets P1, P2, P3, P4, P5, P6 to provide a textured or irregular surface configuration to enhance the customer's grip on the container 5. In one embodiment, the rigidity of the container 5 can be between about 1.30 kgf and about 2.30 kgf, for example, 1.30 kgf, 1.40 kgf, 1.50 kgf, 1.60 kgf, 1.70 kgf, 1.80 kgf, 1.90 kgf, 2.0 kgf, 2.1 kgf, 2.2 kgf, 2.3 kgf, or other integer or non-integer values therebetween, with the rigidity being the amount of force applied to the container 5 to cause bending or flexing of the sidewall construct 8.

[0039] In addition to the insulative and materials-saving properties of the container 5 described above, the container 5 is further provided with a configuration that can realize significant space savings, for example, during storage and transport. Referring additionally to Fig. 4, the inner sidewall 19 (and the sleeve 23 disposed therearound) of the container 5, as shown, have a tapered configuration such that the inner sidewall 19 and the sleeve 23 extend at an  $\alpha$  relative to a vertical centerline CL of the container 5. The arrangement of the inner sidewall 19, the sleeve 23, and the bottom 13 can be such that, upon nesting of multiple containers 5, e.g., such that a container 5 is at least partially disposed in the interior space 7 of a respective container 5 below, the bottom edge 18 of the inner sidewall 19 of the upper container 5 contacts the bottom panel 14 of the lower container

5 before the respective sidewall constructs 8 substantially frictionally engage one another. In this regard, uncoupling of the nested containers 5 is not substantially inhibited by frictional resistance. Accordingly, such a nested arrangement of containers 5 provides significant space savings for the transport and/or storage of multiple containers 5 because the interior 7 of a respective container 5 can be utilized to at least partially receive the sidewall construct 8 and bottom 13 of a vertically-adjacent container 5. It will be understood that the container 5 can have a different configuration and can be formed by other methods and mechanisms without departing from the disclosure.

[0040] The containers and/or the blanks that form the containers according to the present disclosure can be, for example, formed from coated paperboard and similar materials. For example, the interior and/or exterior sides of the blanks can be coated with a clay coating. The clay coating may then be printed over with product, advertising, price coding, and other information or images. The blanks may then be coated with a varnish to protect any information printed on the blank. The blanks may also be coated with, for example, a moisture barrier layer, on either or both sides of the blank. In accordance with the above-described embodiments, the blanks may be constructed of paperboard of a caliper such that it is heavier and more rigid than ordinary paper. The blanks can also be constructed of other materials, such as cardboard, hard paper, or any other material having properties suitable for enabling the container to function at least generally as described herein. The blanks can also be laminated or coated with one or more sheet-like materials at selected panels or panel sections.

[0041] In accordance with the above-described embodiments of the present disclosure, a fold line can be any substantially linear, although not necessarily straight, form of weakening that facilitates folding there along. More specifically, but not for the purpose of narrowing the scope of the present disclosure, fold lines include: a score line, such as lines formed with a blunt scoring knife, or the like, which creates a crushed portion in the material along the desired line of weakness; a cut that extends partially into a material along the desired line of weakness, and/or a series of cuts that extend partially into and/or completely through the material along the desired line of weakness; and various combinations of these features.

[0042] The above embodiments may be described as having one or more portions adhered together by glue during erection of the container embodiments. The term “glue” is intended to encompass all manner of adhesives commonly used to secure containers in place.

[0043] The foregoing description of the disclosure illustrates and describes various exemplary embodiments. Various additions, modifications, changes, etc., could be made to the exemplary embodiments without departing from the spirit and scope of the disclosure. It is intended that all matter contained in the above description or shown in the accompanying drawings shall be interpreted as illustrative and not in a limiting sense. Additionally, the disclosure shows and

describes only selected embodiments of the disclosure, but the disclosure is capable of use in various other combinations, modifications, and environments and is capable of changes or modifications within the scope of the inventive concept as expressed herein, commensurate with the above teachings, and/or within the skill or knowledge of the relevant art. Furthermore, certain features and characteristics of each embodiment may be selectively interchanged and applied to other illustrated and non-illustrated embodiments of the disclosure.

What is claimed is:

1. A container for containing a fluid, comprising:  
  
a sidewall construct comprising an inner sidewall extending at least partially around an interior of the container, an outer sleeve attached to the inner sidewall, and a cavity defined between the inner sidewall and the outer sleeve; and  
  
a closed bottom defining a bottom of the interior of the container,  
  
the container comprises insulating features comprising the cavity and a plurality of annular bands, each annular band of the plurality of annular bands comprises a plurality of spacers and a plurality of gaps separating respective adjacent spacers in a respective annular band, each spacer extends in the cavity from the inner sidewall to the outer sleeve.
2. The container of claim 1, wherein the gaps of the respective annular bands define a plurality of fluid paths through the cavity.
3. The container of claim 2, wherein the respective gaps of respective adjacent annular bands are offset from one another.
4. The container of claim 3, wherein at least one fluid path of the plurality of fluid paths extends from a lower edge of the outer sleeve to an upper edge of the outer sleeve.
5. The container of claim 1, wherein a respective plurality of pockets are defined between respective adjacent annular bands.
6. The container of claim 5, wherein the plurality of pockets provide a respective plurality of insulating spaces between the inner sidewall and the outer sleeve.
7. The container of claim 1, wherein each respective annular band of the plurality of annular bands extends around the circumference of the inner sidewall and is discontinuous in that the gaps comprise sections of each annular band that is void of material that forms the spacers.
8. The container of claim 1, wherein the plurality of spacers comprise a polymeric material.
9. The container of claim 8, wherein the polymeric material is an adhesive that adheres the outer sleeve to the inner sidewall.
10. The container of claim 9, wherein the adhesive is a thermally conductive material.

11. The container of claim 1, wherein the closed bottom comprises a bottom panel and an annular leg foldably connected to the bottom panel.
12. The container of claim 11, wherein the annular leg extends downwardly from the bottom panel, the annular leg is attached to a lower edge margin of the inner sidewall.
13. The container of claim 1, wherein an upper portion of the inner sidewall defines a flanged rim, the rim is configured to interengage a container closure.
14. The container of claim 1, wherein one or more of the spacers has a width between about 30 mils and about 40 mils.
15. A sidewall construct for forming a fluid container, the sidewall construct comprising:
  - an inner sidewall for extending at least partially around an interior of a fluid container formed from the sidewall construct;
  - an outer sleeve attached to the inner sidewall;
  - a cavity defined between the inner sidewall and the outer sleeve; and
  - insulating features comprising the cavity and a plurality of annular bands, each annular band of the plurality of annular bands comprises a plurality of spacers and a plurality of gaps separating respective adjacent spacers in a respective annular band, each spacer extends in the cavity from the inner sidewall to the outer sleeve.
16. The sidewall construct of claim 15, wherein the gaps of the respective annular bands define a plurality of fluid paths through the cavity.
17. The sidewall construct of claim 16, wherein the respective gaps of respective adjacent annular bands are offset from one another.
18. The sidewall construct of claim 17, wherein at least one fluid path of the plurality of fluid paths extends from a lower edge of the outer sleeve to an upper edge of the outer sleeve.
19. The sidewall construct of claim 15, wherein a respective plurality of pockets are defined between respective adjacent annular bands.
20. The sidewall construct of claim 19, wherein the plurality of pockets provide a respective plurality of insulating spaces between the inner sidewall and the outer sleeve.

21. The sidewall construct of claim 15, wherein each respective annular band of the plurality of annular bands extends around the circumference of the inner sidewall and is discontinuous in that the gaps comprise sections of each annular band that is void of material that forms the spacers.
22. The sidewall construct of claim 15, wherein the plurality of spacers comprise a polymeric material.
23. The sidewall construct of claim 22, wherein the polymeric material is an adhesive that adheres the outer sleeve to the inner sidewall.
24. The sidewall construct of claim 23, wherein the adhesive is a thermally conductive material.
25. The sidewall construct of claim 15, wherein an upper portion of the inner sidewall defines a flanged rim, the rim is configured to interengage a container closure.
26. The sidewall construct of claim 15, wherein one or more of the spacers has a width between about 30 mils and about 40 mils.
27. A method of forming a container for containing a fluid, comprising;
- obtaining an inner sidewall and an outer sleeve;
- attaching the outer sleeve to the inner sidewall to form a sidewall construct with a cavity defined between the inner sidewall and the outer sleeve, the attaching comprises forming insulating features in the sidewall construct, the insulating features comprise the cavity and a plurality of annular bands, each annular band of the plurality of annular bands comprises a plurality of spacers and a plurality of gaps separating respective adjacent spacers in a respective annular band, each spacer extends in the cavity from the inner sidewall to the outer sleeve;
- forming an interior of the fluid container by positioning the sidewall construct so that the inner sidewall extends at least partially around the interior; and
- positioning a closed bottom relative to the sidewall construct to define a bottom of the interior.
28. The method of claim 27, wherein the gaps of the respective annular bands define a plurality of fluid paths through the cavity.
29. The method of claim 28, wherein the respective gaps of respective adjacent annular bands are offset from one another.

30. The method of claim 29, wherein at least one fluid path of the plurality of fluid paths extends from a lower edge of the outer sleeve to an upper edge of the outer sleeve.
31. The method of claim 27, wherein a respective plurality of pockets are defined between respective adjacent annular bands.
32. The method of claim 31, wherein the plurality of pockets provide a respective plurality of insulating spaces between the inner sidewall and the outer sleeve.
33. The method of claim 27, wherein each respective annular band of the plurality of annular bands extends around the circumference of the inner sidewall and is discontinuous in that the gaps comprise sections of each annular band that is void of material that forms the spacers.
34. The method of claim 27, wherein the plurality of spacers comprise a polymeric material.
35. The method of claim 34, wherein the polymeric material is an adhesive that adheres the outer sleeve to the inner sidewall.
36. The method of claim 35, wherein the adhesive is a thermally conductive material.
37. The method of claim 27, wherein the closed bottom comprises a bottom panel and an annular leg foldably connected to the bottom panel.
38. The method of claim 37, wherein the annular leg extends downwardly from the bottom panel, the annular leg is attached to a lower edge margin of the inner sidewall.
39. The method of claim 27, wherein an upper portion of the inner sidewall defines a flanged rim, the rim is configured to interengage a container closure.
40. The method of claim 27, wherein one or more of the spacers has a width between about 30 mils and about 40 mils.

1/4

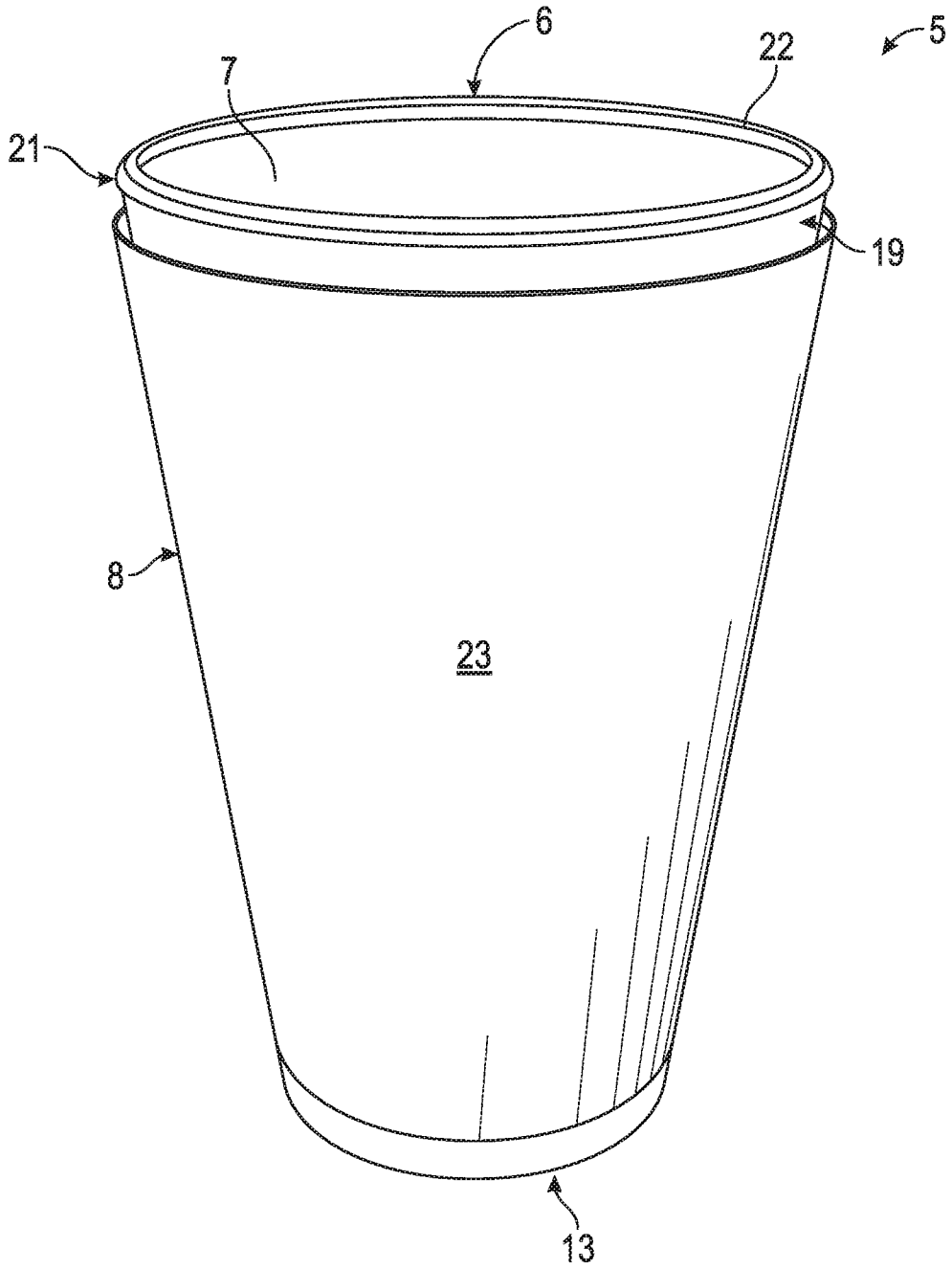


FIG. 1



3/4

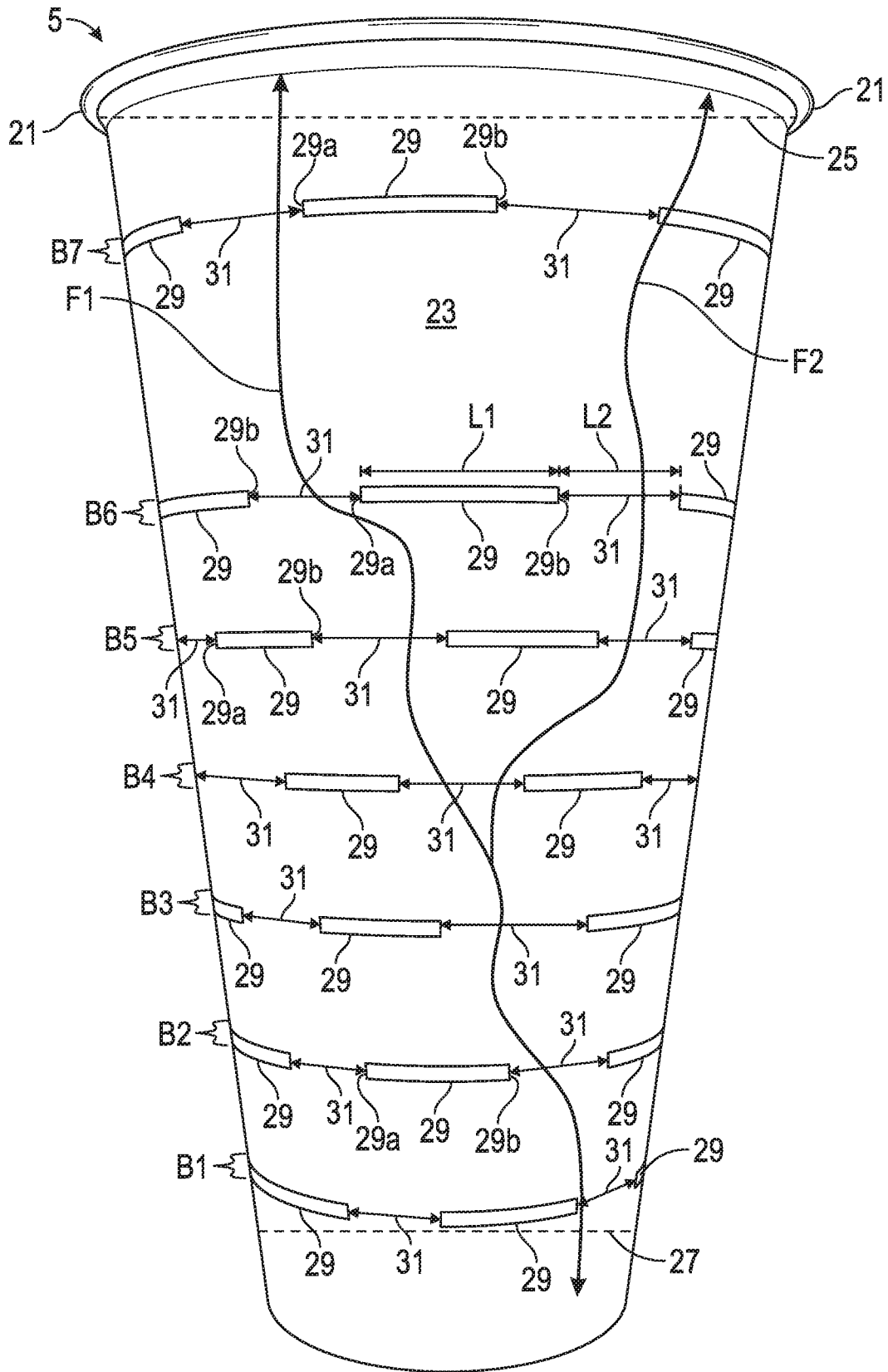


FIG. 3

4/4

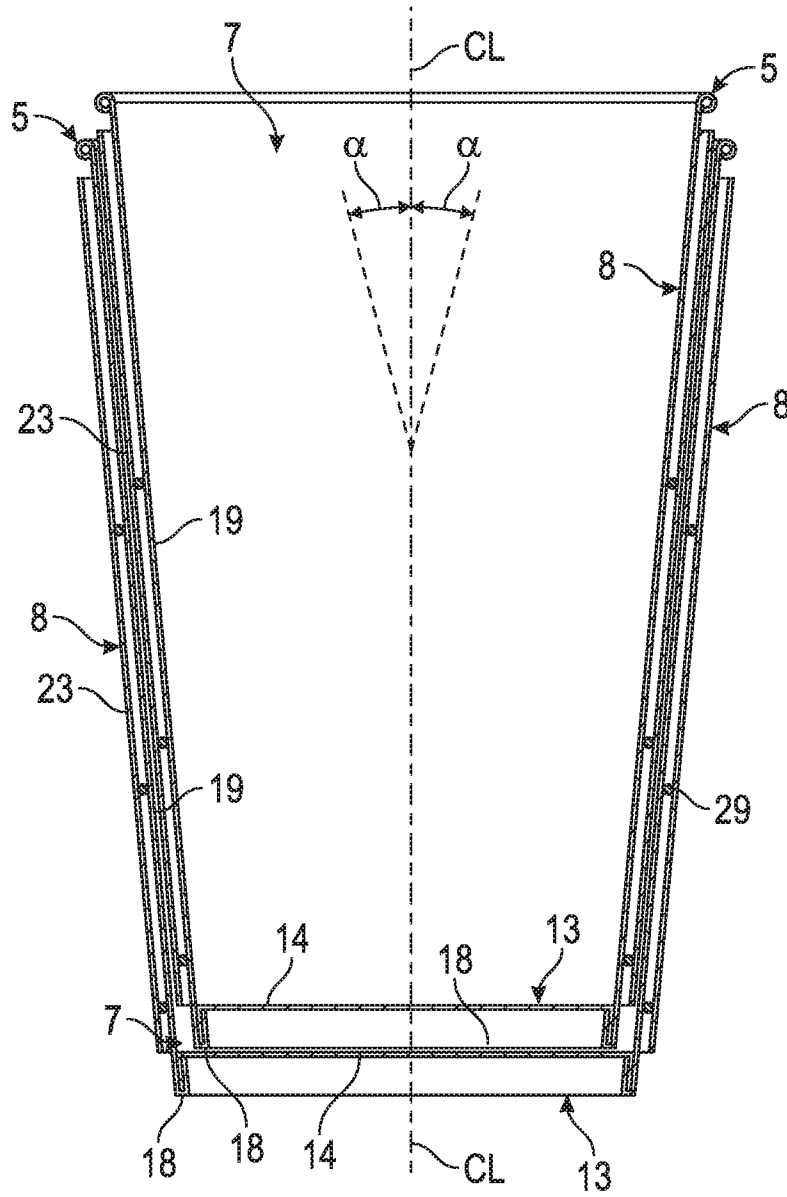


FIG. 4

## INTERNATIONAL SEARCH REPORT

International application No.  
**PCT/US2019/027119****A. CLASSIFICATION OF SUBJECT MATTER****B65D 81/38(2006.01)i, B65D 1/26(2006.01)i, A47G 23/02(2006.01)i**

According to International Patent Classification (IPC) or to both national classification and IPC

**B. FIELDS SEARCHED**Minimum documentation searched (classification system followed by classification symbols)  
B65D 81/38; B31B 1/00; B31B 49/00; B65D 1/40; B65D 3/00; B65D 3/28; B65D 1/26; A47G 23/02Documentation searched other than minimum documentation to the extent that such documents are included in the fields searched  
Korean utility models and applications for utility models  
Japanese utility models and applications for utility modelsElectronic data base consulted during the international search (name of data base and, where practicable, search terms used)  
eKOMPASS(KIPO internal) & Keywords: container, inner side wall, outer sleeve, spacer, gap, fluid channel, edge, rim, bottom**C. DOCUMENTS CONSIDERED TO BE RELEVANT**

Category*	Citation of document, with indication, where appropriate, of the relevant passages	Relevant to claim No.
Y	US 2015-0048086 A1 (DART CONTAINER CORPORATION) 19 February 2015 See paragraphs [0033]-[0050]; claim 1; and figures 1-2, 5.	1-40
Y	US 2008-0078825 A1 (PULS et al.) 03 April 2008 See paragraphs [0001], [0011]; and figures 2-3.	1-40
A	US 2007-0117702 A1 (OKUSHITA et al.) 24 May 2007 See paragraphs [0182]-[0187], [0225]-[0228]; and figures 1A-1D, 6.	1-40
A	US 2009-0321508 A1 (FU et al.) 31 December 2009 See claims 1-9; and figures 1-3.	1-40
A	US 2012-0199641 A1 (HSIEH, ALBERT) 09 August 2012 See paragraphs [0042]-[0043]; and figures 8-10.	1-40

 Further documents are listed in the continuation of Box C. See patent family annex.

\* Special categories of cited documents:

"A" document defining the general state of the art which is not considered to be of particular relevance

"E" earlier application or patent but published on or after the international filing date

"L" document which may throw doubts on priority claim(s) or which is cited to establish the publication date of another citation or other special reason (as specified)

"O" document referring to an oral disclosure, use, exhibition or other means

"P" document published prior to the international filing date but later than the priority date claimed

"T" later document published after the international filing date or priority date and not in conflict with the application but cited to understand the principle or theory underlying the invention

"X" document of particular relevance; the claimed invention cannot be considered novel or cannot be considered to involve an inventive step when the document is taken alone

"Y" document of particular relevance; the claimed invention cannot be considered to involve an inventive step when the document is combined with one or more other such documents, such combination being obvious to a person skilled in the art

"&amp;" document member of the same patent family

Date of the actual completion of the international search

29 July 2019 (29.07.2019)

Date of mailing of the international search report

**29 July 2019 (29.07.2019)**

Name and mailing address of the ISA/KR

International Application Division  
Korean Intellectual Property Office  
189 Cheongsa-ro, Seo-gu, Daejeon, 35208, Republic of Korea

Facsimile No. +82-42-481-8578

Authorized officer

HWANG, Chan Yoon

Telephone No. +82-42-481-3347



**INTERNATIONAL SEARCH REPORT**

Information on patent family members

International application No.

**PCT/US2019/027119**

Patent document cited in search report	Publication date	Patent family member(s)	Publication date		
US 2015-0048086 A1	19/02/2015	AR 097320 A1	09/03/2016		
		AR 109165 A2	07/11/2018		
		AR 109166 A2	07/11/2018		
		AU 2014-203682 A1	05/03/2015		
		AU 2014-203682 B2	08/03/2018		
		BR 102014019978 A2	10/11/2015		
		CA 2856939 A1	14/02/2015		
		DK 2848554 T3	17/07/2017		
		EP 2848554 A2	18/03/2015		
		EP 2848554 A3	17/06/2015		
		EP 2848554 B1	05/04/2017		
		EP 3153431 A1	12/04/2017		
		EP 3153431 B1	25/04/2018		
		ES 2625753 T3	20/07/2017		
		ES 2670041 T3	29/05/2018		
		MX 2014009304 A	28/05/2015		
		MX 352289 B	16/11/2017		
		PL 2848554 T3	29/09/2017		
		PT 2848554 T	07/06/2017		
		TR 201807147 T4	21/06/2018		
		US 9290312 B2	22/03/2016		
		US 2008-0078825 A1	03/04/2008	CA 2664625 A1	10/04/2008
				CA 2664625 C	11/09/2012
US 2010-0187296 A1	29/07/2010				
US 7717325 B2	18/05/2010				
WO 2008-042378 A1	10/04/2008				
US 2007-0117702 A1	24/05/2007	BR 9806126 A	31/08/1999		
		CA 2267361 A1	11/03/1999		
		CA 2267361 C	07/10/2008		
		CA 2632546 A1	11/03/1999		
		CA 2632546 C	15/06/2010		
		CA 2672552 A1	11/03/1999		
		CA 2672552 C	31/01/2012		
		CA 2672667 A1	11/03/1999		
		CA 2672667 C	21/02/2012		
		CN 1237133 A	01/12/1999		
		CN 1412085 A	23/04/2003		
		CN 1623768 A	08/06/2005		
		CN 1623768 C	25/06/2008		
		CN 1915660 A	21/02/2007		
		CN 1915660 B	15/12/2010		
		CN 1915753 A	21/02/2007		
		DE 69823157 T2	21/04/2005		
		EP 0934202 A1	11/08/1999		
		EP 0934202 B1	14/04/2004		
		EP 1479512 A2	24/11/2004		
		EP 1479512 A3	22/02/2006		

**INTERNATIONAL SEARCH REPORT**

Information on patent family members

International application No.

**PCT/US2019/027119**

Patent document cited in search report	Publication date	Patent family member(s)	Publication date
		ES 2219898 T3	01/12/2004
		FI 990654 A0	24/03/1999
		HK 1103286 A1	29/07/2011
		HK 1103289 A1	26/02/2010
		ID 21043 A	08/04/1999
		JP 11-130157 A	18/05/1999
		JP 11-300858 A	02/11/1999
		JP 11-314286 A	16/11/1999
		JP 11-320717 A	24/11/1999
		JP 11-320718 A	24/11/1999
		JP 3274412 B2	15/04/2002
		JP 3274413 B2	15/04/2002
		JP 3274414 B2	15/04/2002
		KR 10-0306359 B1	24/09/2001
		KR 10-0576190 B1	03/05/2006
		KR 10-0729684 B1	18/06/2007
		KR 10-0842145 B1	27/06/2008
		KR 10-2000-0053701 A	05/09/2000
		KR 10-2001-0025118 A	26/03/2001
		KR 10-2001-0034897 A	25/04/2001
		KR 10-2007-0032829 A	22/03/2007
		NO 20081505 A	25/06/1999
		NO 325712 B1	07/07/2008
		NO 991934 A	25/06/1999
		NO 991934 L	25/06/1999
		PT 934202 E	31/08/2004
		PT 934202 T	31/08/2004
		TW 382000 A	11/02/2000
		TW 382000 B	11/02/2000
		US 2004-0226948 A1	18/11/2004
		US 6663926 B1	16/12/2003
		US 7175585 B2	13/02/2007
		US 7618359 B2	17/11/2009
		WO 99-11526 A1	11/03/1999
US 2009-0321508 A1	31/12/2009	AR 091843 A1	04/03/2015
		AT 478813 T	15/09/2010
		AU 2007-245165 A1	08/11/2007
		AU 2007-245165 B2	12/01/2012
		AU 2010-263128 A1	02/02/2012
		AU 2010-263128 B2	10/03/2016
		AU 2012-200444 A1	16/02/2012
		AU 2012-200444 B2	25/07/2013
		AU 2016-203296 A1	09/06/2016
		AU 2016-203296 B2	17/08/2017
		AU 2016-203296 B9	31/08/2017
		AU 2017-261623 A1	08/02/2018
		BR PI0709741 A2	26/07/2011
		BR PI1011459 A2	22/03/2016
		CA 2647912 A1	08/11/2007

## INTERNATIONAL SEARCH REPORT

Information on patent family members

International application No.

**PCT/US2019/027119**

Patent document cited in search report	Publication date	Patent family member(s)	Publication date
		CA 2647912 C	04/10/2011
		CA 2766553 A1	29/12/2010
		CA 2766553 C	17/03/2015
		CA 2877768 A1	03/01/2014
		CA 2879732 A1	23/01/2014
		CN 101448719 A	03/06/2009
		CN 102275691 A	14/12/2011
		CN 102275691 B	26/03/2014
		CN 102802808 A	28/11/2012
		CN 102802808 B	01/06/2016
		CN 104583084 A	29/04/2015
		CN 104590757 A	06/05/2015
		CN 104590757 B	30/03/2018
		CN 104903063 A	09/09/2015
		CN 106081372 A	09/11/2016
		CN 106081372 B	02/10/2018
		CY 1111142 T1	11/06/2015
		CY 1114029 T1	27/07/2016
		DK 2001767 T3	29/11/2010
		DK 2243719 T3	05/11/2012
		EP 2001767 A1	17/12/2008
		EP 2001767 B1	25/08/2010
		EP 2243719 A1	27/10/2010
		EP 2243719 B1	03/10/2012
		EP 2445651 A1	02/05/2012
		EP 2445651 B1	05/10/2016
		EP 2864212 A1	29/04/2015
		EP 2874792 A2	27/05/2015
		ES 2349343 T3	30/12/2010
		ES 2396303 T3	20/02/2013
		HK 1160826 A1	25/07/2014
		HK 1173414 A1	17/02/2017
		HK 1209714 A1	08/04/2016
		HK 1210123 A1	15/04/2016
		HK 1213844 A1	15/07/2016
		JP 2009-532173 A	10/09/2009
		JP 2012-531363 A	10/12/2012
		JP 2015-521572 A	30/07/2015
		JP 2015-528763 A	01/10/2015
		JP 2016-210513 A	15/12/2016
		JP 5325094 B2	23/10/2013
		JP 6416836 B2	31/10/2018
		KR 10-1882294 B1	27/07/2018
		KR 10-2008-0109896 A	17/12/2008
		KR 10-2013-0023188 A	07/03/2013
		KR 10-2015-0030247 A	19/03/2015
		KR 10-2015-0065665 A	15/06/2015
		KR 10-2018-0085832 A	27/07/2018
		MX 2008012710 A	27/11/2008
		MX 2011013802 A	01/02/2012

## INTERNATIONAL SEARCH REPORT

Information on patent family members

International application No.

PCT/US2019/027119

Patent document cited in search report	Publication date	Patent family member(s)	Publication date
		MX 345735 B	14/02/2017
		MY 146818 A	28/09/2012
		NZ 571637 A	30/09/2010
		NZ 586380 A	25/11/2011
		NZ 593231 A	25/11/2011
		PL 2445651 T3	28/02/2017
		PT 2001767 E	25/10/2010
		PT 2243719 E	07/01/2013
		RU 2008141055 A	10/05/2010
		RU 2011152262 A	27/07/2013
		RU 2403196 C2	10/11/2010
		SG 158871 A1	26/02/2010
		SG 177291 A1	28/02/2012
		SI 2001767 T1	31/01/2011
		SI 2243719 T1	30/04/2013
		SI EP2001767 T1	31/01/2011
		SI EP2243719 T1	30/04/2013
		TR 200809185 T1	21/07/2009
		TR 201112683 T1	21/09/2012
		TW 200811007 A	01/03/2008
		TW 201103833 A	01/02/2011
		TW 201404678 A	01/02/2014
		TW 201410569 A	16/03/2014
		TW I335295 A	01/01/2011
		TW I335295 B	01/01/2011
		TW I511906 B	11/12/2015
		US 10144573 B2	04/12/2018
		US 10183458 B2	22/01/2019
		US 2007-0228134 A1	04/10/2007
		US 2012-0285972 A1	15/11/2012
		US 2013-0303351 A1	14/11/2013
		US 2014-0103103 A1	17/04/2014
		US 2015-0353264 A1	10/12/2015
		US 2016-0264339 A1	15/09/2016
		US 2017-0326830 A1	16/11/2017
		US 2019-0106263 A1	11/04/2019
		US 9056712 B2	16/06/2015
		US 9522772 B2	20/12/2016
		US 9580228 B2	28/02/2017
		US 9591937 B2	14/03/2017
		US 9648969 B2	16/05/2017
		WO 2007-126783 A1	08/11/2007
		WO 2010-151456 A1	29/12/2010
		WO 2014-004219 A1	03/01/2014
		WO 2014-015060 A2	23/01/2014
		WO 2014-015060 A3	30/07/2015
US 2012-0199641 A1	09/08/2012	US 2011-0174872 A1	21/07/2011