



US00D992274S

(12) **United States Design Patent**  
**Zhang**

(10) **Patent No.:** **US D992,274 S**

(45) **Date of Patent:** **\*\* Jul. 18, 2023**

- (54) **GOLF BAG LANDING PAD**
- (71) Applicant: **Shenzhen Falcon E-Commerce Co., Ltd.**, Shenzhen (CN)
- (72) Inventor: **Shengwen Zhang**, Ganzhou (CN)
- (73) Assignee: **Shenzhen Falcon E-Commerce Co., Ltd.**, Shenzhen (CN)
- (\*\*) Term: **15 Years**
- (21) Appl. No.: **29/856,564**
- (22) Filed: **Oct. 14, 2022**

D347,042 S *	5/1994	Garcia	.....	D21/721
D394,549 S *	5/1998	Frazier	.....	D3/221
D405,257 S *	2/1999	Frisby, Jr.	.....	D3/221
D409,379 S *	5/1999	Ellis	.....	D3/221
5,934,530 A *	8/1999	Antczak	.....	A63B 55/408 224/678
D416,134 S *	11/1999	Cloutier	.....	D3/221
D443,329 S *	6/2001	Helmreich	.....	D21/796
D453,294 S *	2/2002	Bitzer	.....	D8/395
6,634,528 B2 *	10/2003	Hurtgam	.....	A63B 57/50 224/251
6,688,505 B1 *	2/2004	Bradley	.....	A45F 5/06 224/932
6,705,497 B1 *	3/2004	Schuett	.....	A45F 5/021 224/269
D495,767 S *	9/2004	Dawson	.....	D21/789

(Continued)

(30) **Foreign Application Priority Data**

Jul. 22, 2022 (CN) ..... 202230470287.X

- (51) **LOC (14) Cl.** ..... **03-01**
- (52) **U.S. Cl.**  
USPC ..... **D3/221; D3/318; D21/796**
- (58) **Field of Classification Search**  
USPC ..... **D3/255, 318, 320, 221, 254, 328; D21/789, 796**  
CPC ..... **A63B 55/00; A63B 55/20; A63B 55/50; A63B 55/408; A63B 57/20-357**  
See application file for complete search history.

(56) **References Cited**

**U.S. PATENT DOCUMENTS**

3,298,579 A *	1/1967	Smith	.....	A45F 5/021 224/183
D249,570 S *	9/1978	Studt	.....	D3/221
D252,422 S *	7/1979	Gillenwater	.....	D3/221
D274,830 S *	7/1984	Lynch	.....	D3/224
4,699,303 A *	10/1987	Kline	.....	A63B 55/408 224/667
D296,156 S *	6/1988	Deany	.....	D3/226
D301,286 S *	5/1989	Hird	.....	D3/215
D338,254 S *	8/1993	Ribbeck	.....	D3/229

**OTHER PUBLICATIONS**

Golf bag landing pad google search; google.com; May 11, 2023.\*  
(Continued)

*Primary Examiner* — Mitchell I. Siegel  
(74) *Attorney, Agent, or Firm* — Georgi Korobanov

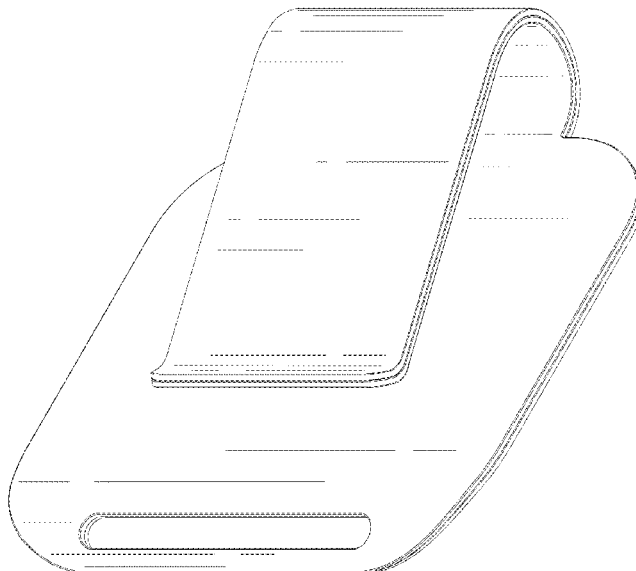
(57) **CLAIM**

The ornamental design for a golf bag landing pad, as shown and described.

**DESCRIPTION**

FIG. 1 is a front, right and top perspective view of a golf bag landing pad, showing my new design;  
FIG. 2 is a rear, left and bottom perspective view thereof;  
FIG. 3 is a front view thereof;  
FIG. 4 is a rear view thereof;  
FIG. 5 is a left side view thereof;  
FIG. 6 is a right side view thereof;  
FIG. 7 is a top plan view thereof; and,  
FIG. 8 is a bottom plan view thereof.

**1 Claim, 8 Drawing Sheets**



(56)

**References Cited**

U.S. PATENT DOCUMENTS

6,808,095	B2 *	10/2004	Hurtgam .....	A63B 55/408 473/405
D499,252	S *	12/2004	Lord .....	D3/221
D504,769	S *	5/2005	Bozik .....	D3/221
D517,313	S *	3/2006	Ogawa .....	D3/221
D674,594	S *	1/2013	Amorello .....	D3/221
D716,395	S *	10/2014	Ross .....	D21/796
D721,498	S *	1/2015	Holt .....	D3/318
D893,172	S *	8/2020	Kennard .....	D3/221
D958,919	S *	7/2022	Wu .....	D21/796
D974,041	S *	1/2023	McGuire .....	D3/322

OTHER PUBLICATIONS

Magnetic golf bag landing pad google search; google.com; May 11, 2023.\*

Golf bag metal landing pads; amazon.com; May 11, 2023.\*

\* cited by examiner

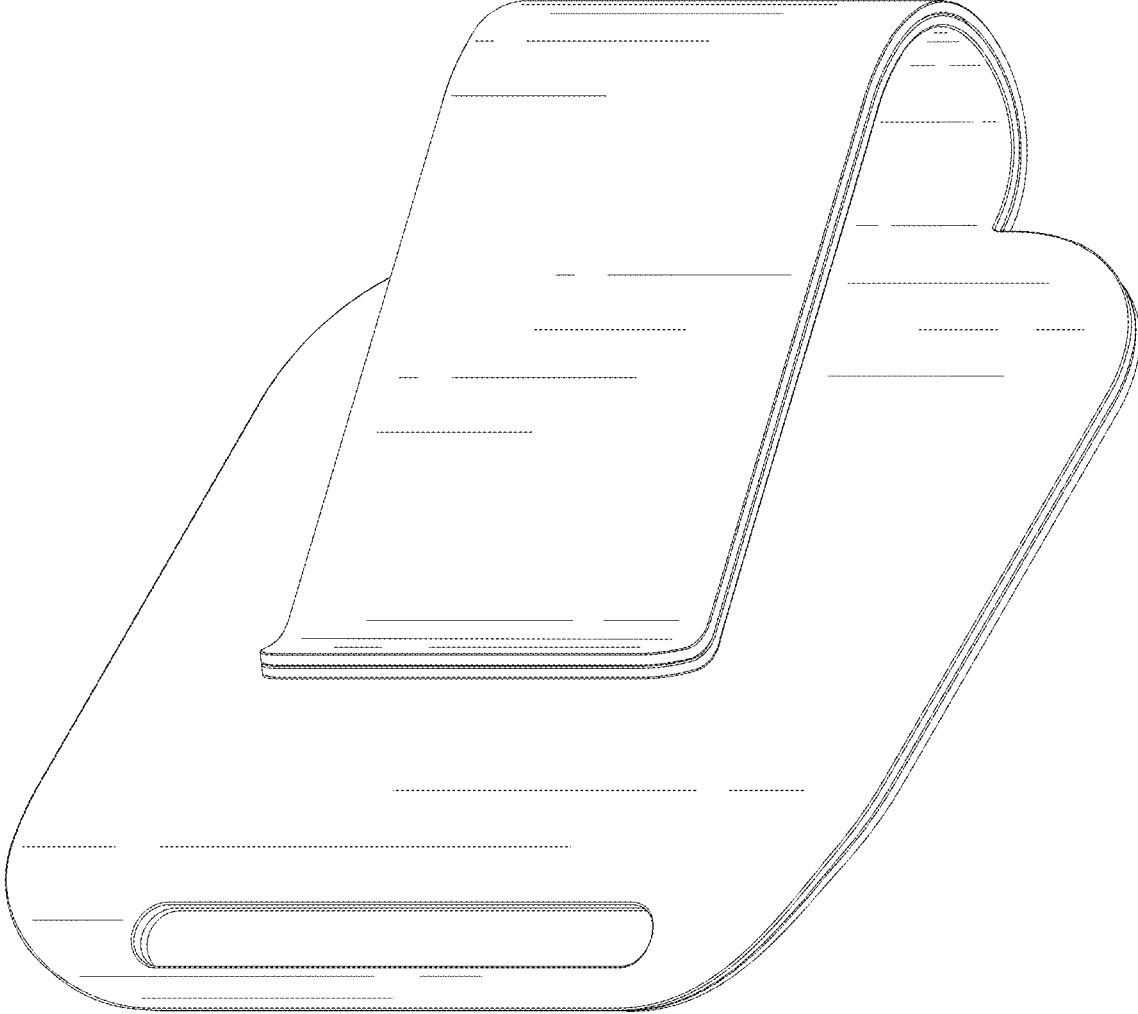


FIG. 1

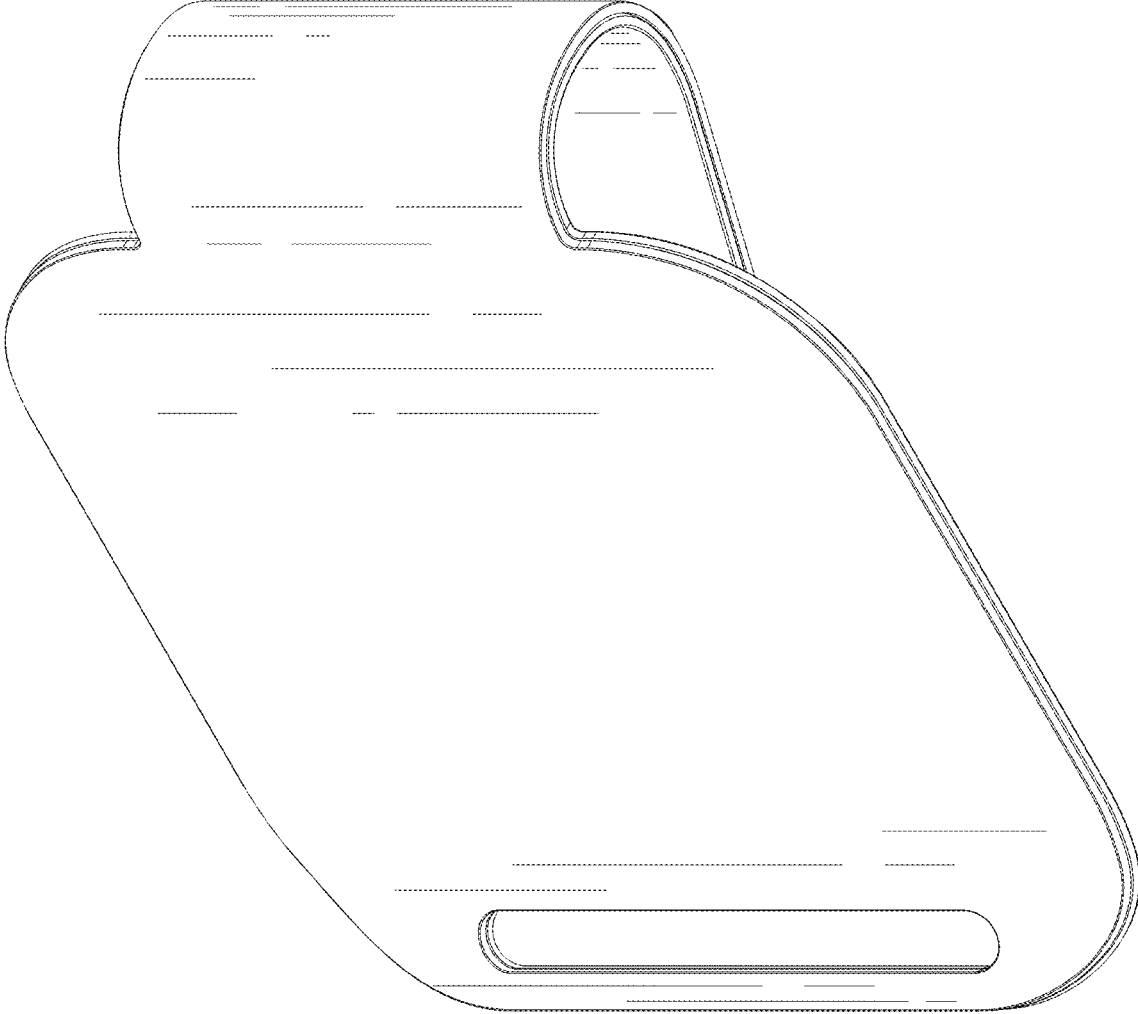


FIG. 2

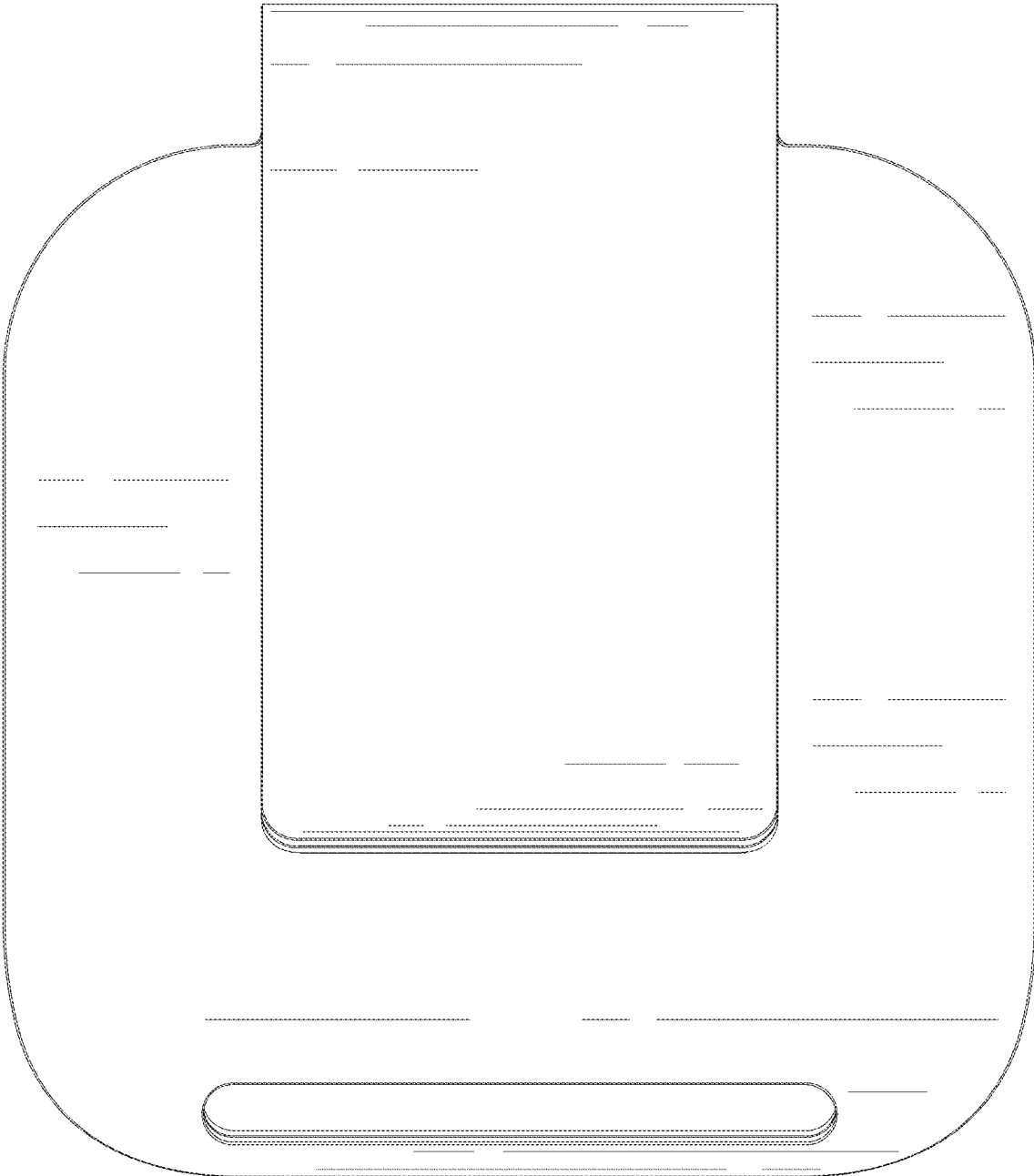


FIG. 3



FIG. 4

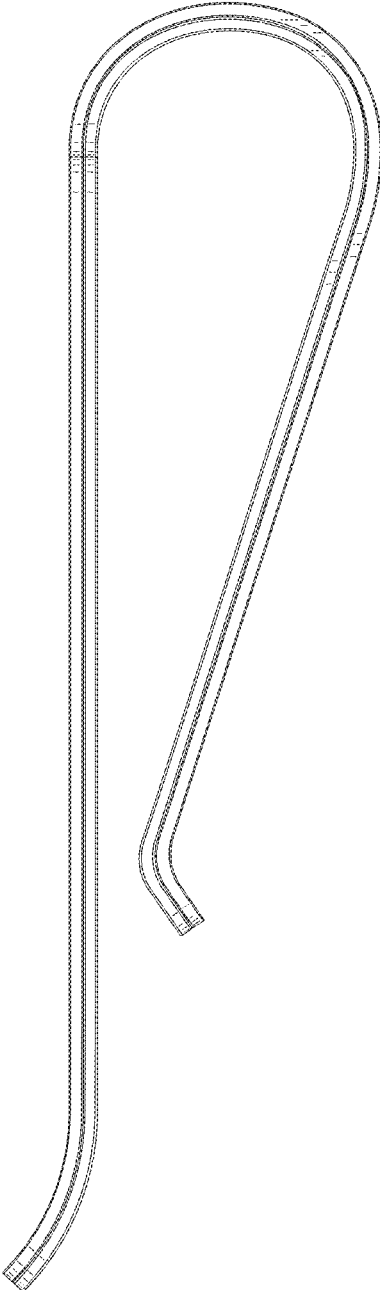


FIG. 5

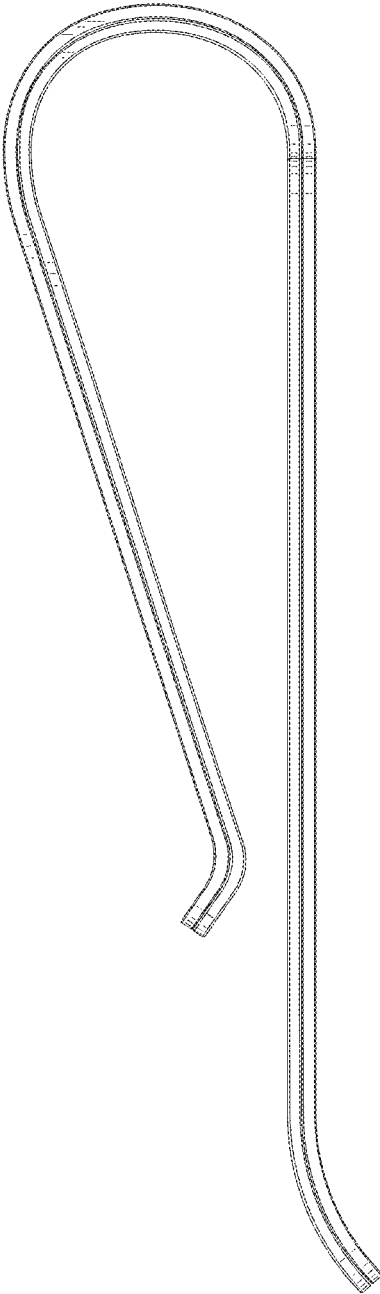


FIG. 6

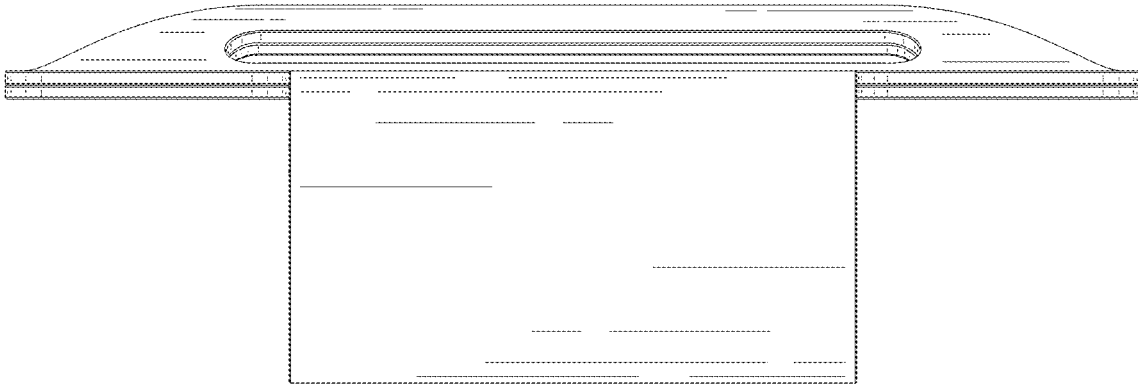


FIG. 7

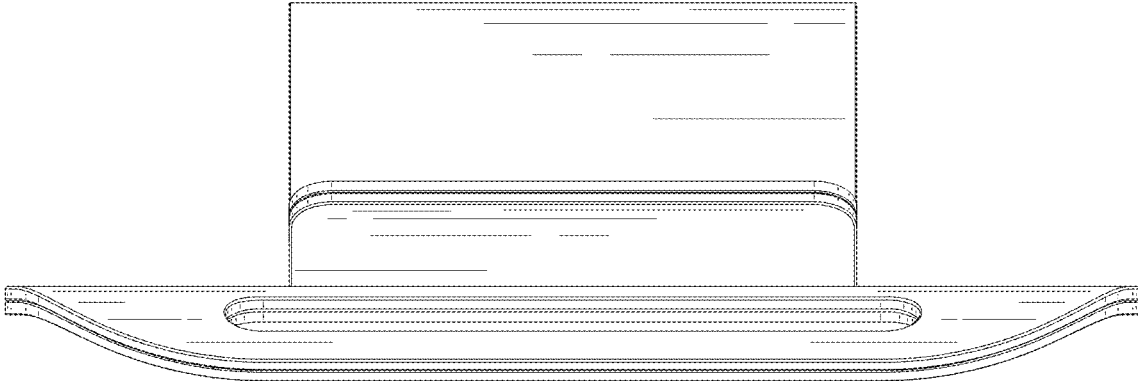


FIG. 8