



US00D494438S1

(12) **United States Design Patent**
Falkenstein et al.

(10) **Patent No.:** **US D494,438 S**

(45) **Date of Patent:** **** Aug. 17, 2004**

(54) **MULTI-TOOL**

(75) Inventors: **Merrick Falkenstein**, Markham (CA);
Kenneth Liu, Tsuen Wan (HK)

(73) Assignee: **2932105 Canada, Inc.** (CA)

(**) Term: **14 Years**

(21) Appl. No.: **29/190,185**

(22) Filed: **Sep. 17, 2003**

(51) **LOC (7) Cl.** **08-03**

(52) **U.S. Cl.** **D8/105; D8/98; D10/2**

(58) **Field of Search** D10/2, 15; D8/102-104,
D8/105-107, 98, 99; 7/110, 113, 118, 121,
148, 152-156, 162, 165, 167, 168, 170;
81/3.35, 3.45; 30/142, 146, 408, 155, 153

(56) **References Cited**

U.S. PATENT DOCUMENTS

1,115,780	A	*	11/1914	Champlin	7/119
1,200,079	A	*	10/1916	Christensen et al.	81/3.35
D61,220	S	*	7/1922	Ochse	D8/99
D308,462	S	*	6/1990	Komatsu	D8/105
5,857,268	A	*	1/1999	Park	30/146

D413,504	S	*	9/1999	Kung	D8/105
D448,267	S	*	9/2001	Jean et al.	D8/105
D462,002	S	*	8/2002	Jean et al.	D8/105
D463,494	S	*	9/2002	Mori	D19/65
D469,677	S	*	2/2003	Hung	D8/105
D477,524	S	*	7/2003	Chen	D8/105

* cited by examiner

Primary Examiner—Martie K. Holtje

(74) *Attorney, Agent, or Firm*—Merek, Blackmon & Voorhees, LLC

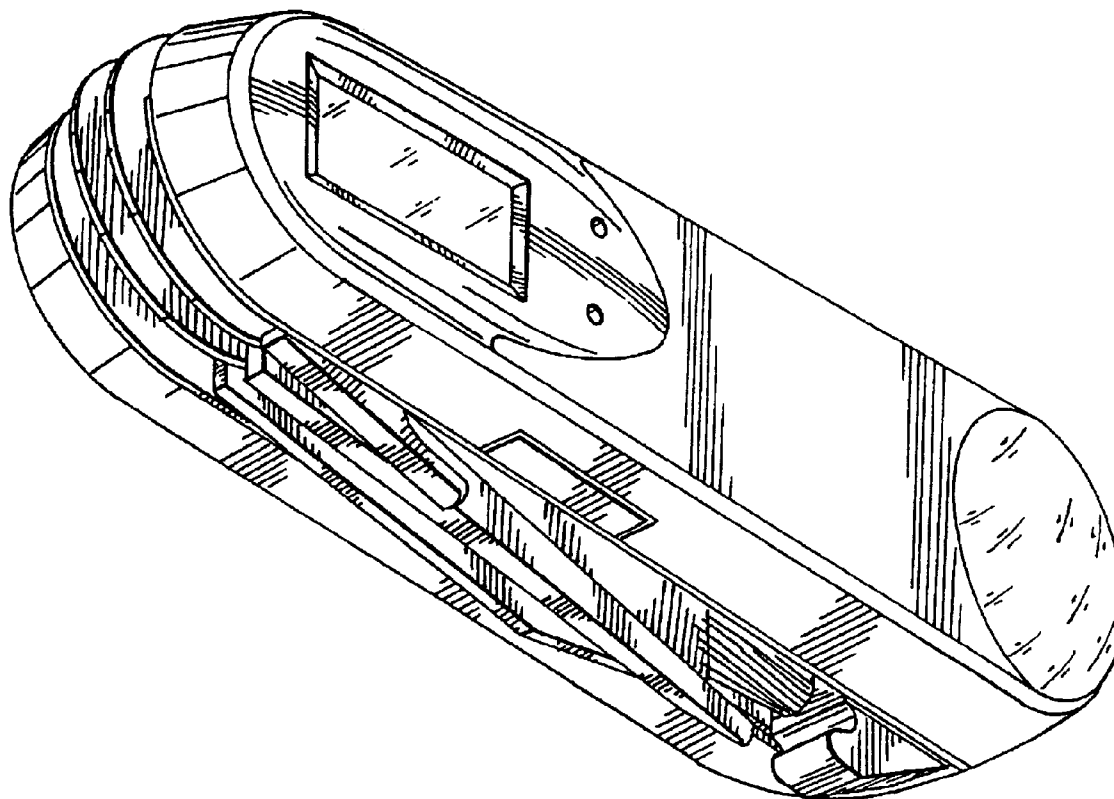
(57) **CLAIM**

The ornamental design for a multi-tool, as shown and described.

DESCRIPTION

FIG. 1 is a lower front perspective view of the multi-tool; FIG. 2 is a front elevational view thereof; FIG. 3 is a bottom view thereof; FIG. 4 is a top plan view thereof; FIG. 5 is a rear elevational view thereof; FIG. 6 is a left hand end view thereof; and, FIG. 7 is a right hand end view thereof.

1 Claim, 3 Drawing Sheets



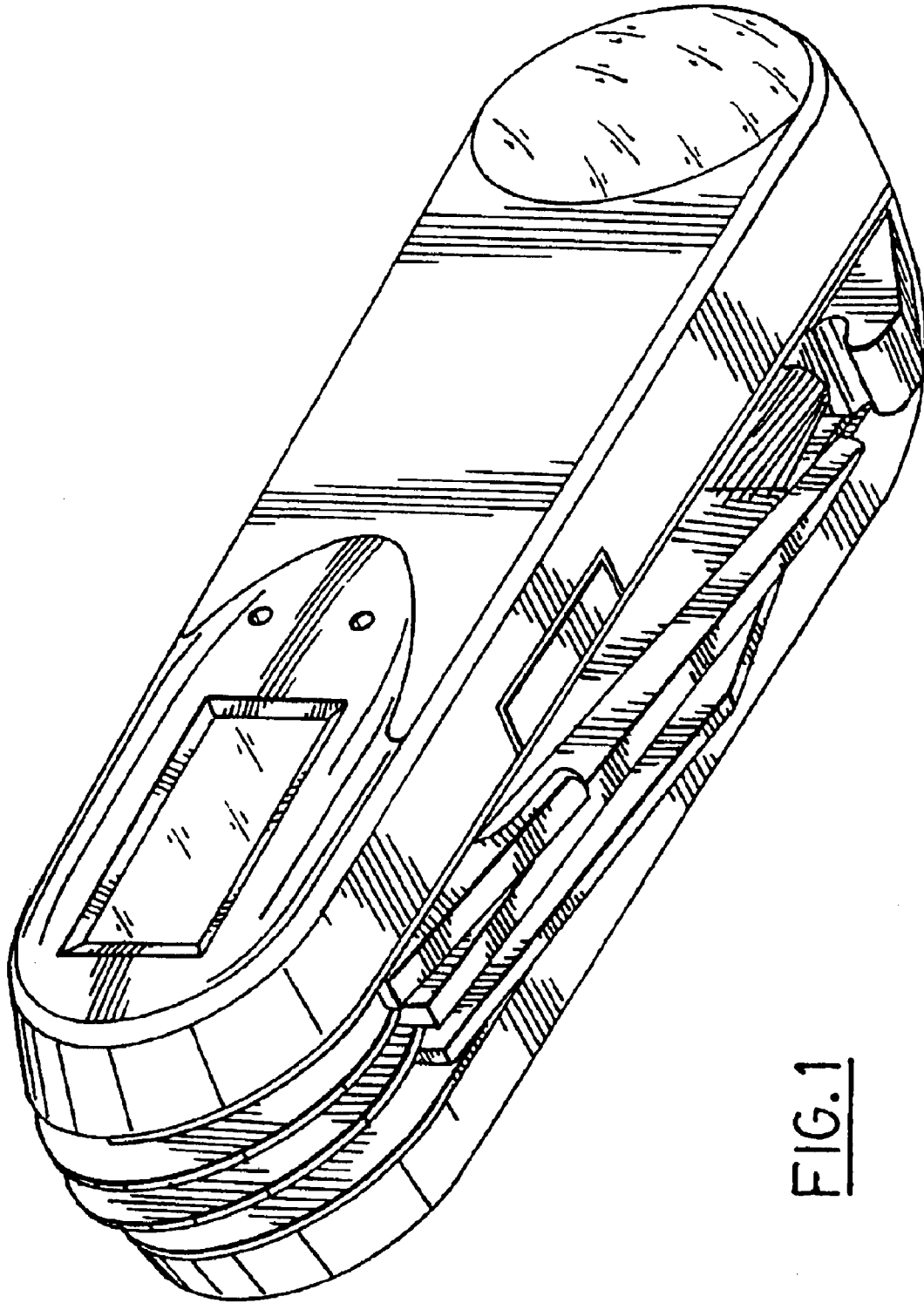


FIG. 1

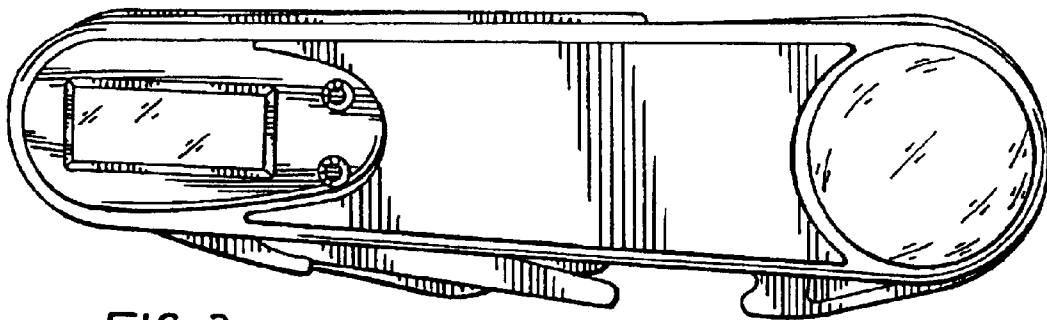


FIG. 2

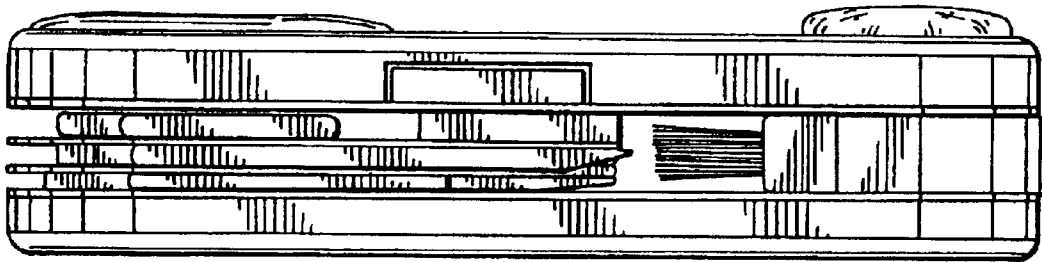


FIG. 3

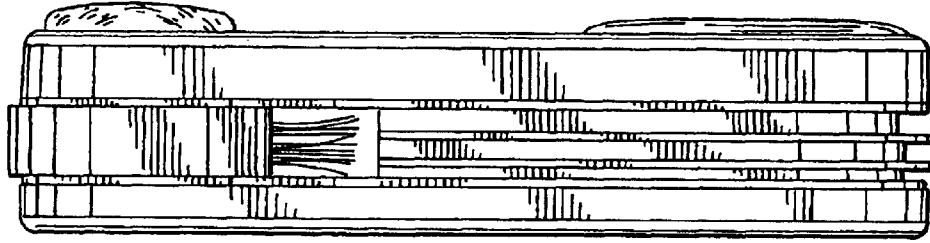


FIG. 4

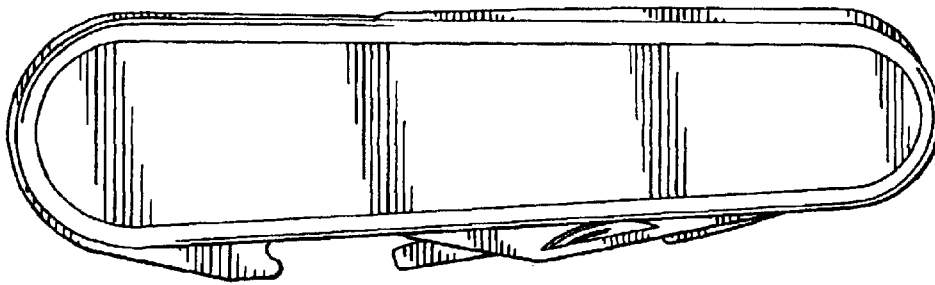


FIG. 5

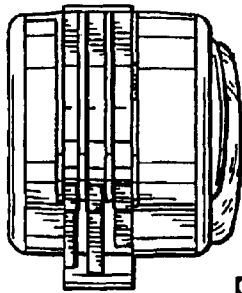


FIG. 6

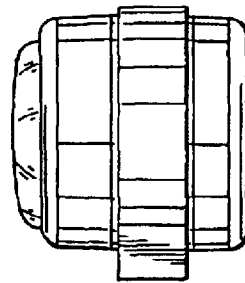


FIG. 7