



US00D998535S

(12) **United States Design Patent**
Bernal

(10) **Patent No.:** **US D998,535 S**

(45) **Date of Patent:** **** Sep. 12, 2023**

- (54) **OVERHEAD CONSOLE**
- (71) Applicant: **VOLVO CAR CORPORATION**,
Gothenburg (SE)
- (72) Inventor: **Juan Pablo Bernal**, Gothenburg (SE)
- (73) Assignee: **VOLVO CAR CORPORATION**,
Gothenburg (SE)
- (**) Term: **15 Years**
- (21) Appl. No.: **29/818,531**
- (22) Filed: **Dec. 9, 2021**

D916,646 S * 4/2021 Hodge D12/415
 D953,239 S * 5/2022 Ackeret B60R 16/02
 D12/416
 2005/0134072 A1* 6/2005 Sturt B60R 7/04
 296/37.8
 2012/0230047 A1* 9/2012 Smith B60R 11/0217
 362/543
 2022/0048390 A1* 2/2022 Seidl B60R 16/02
 2023/0078512 A1* 3/2023 Peterson B60Q 3/51

OTHER PUBLICATIONS

Ars Technica, If this is the electric Volvo of 2026, published Jul. 1, 2021 [retrieved Apr. 13, 2023]. Retrieved from the internet<<https://arstechnica.com/cars/2021/07/more-batteries-fewer-ecus-and-cars-with-names-this-is-volvos-future/>> (Year: 2021).*

* cited by examiner

Primary Examiner — Joseph Kukella
Assistant Examiner — Lavon M. Amerson
 (74) *Attorney, Agent, or Firm* — CALDERON SAFRAN & COLE PC

(30) **Foreign Application Priority Data**

Jun. 23, 2021 (EM) 008587794-0008

(51) **LOC (14) Cl.** **12-16**

(52) **U.S. Cl.**
USPC **D12/415**

(58) **Field of Classification Search**
USPC D12/410, 415-421, 424, 425, 426;
D3/273

CPC B60R 7/04; B60R 7/08; B60R 7/06; B60N
3/102; B60Q 3/225; B62J 9/00

See application file for complete search history.

(57) **CLAIM**

The ornamental design for an overhead console, as shown.

DESCRIPTION

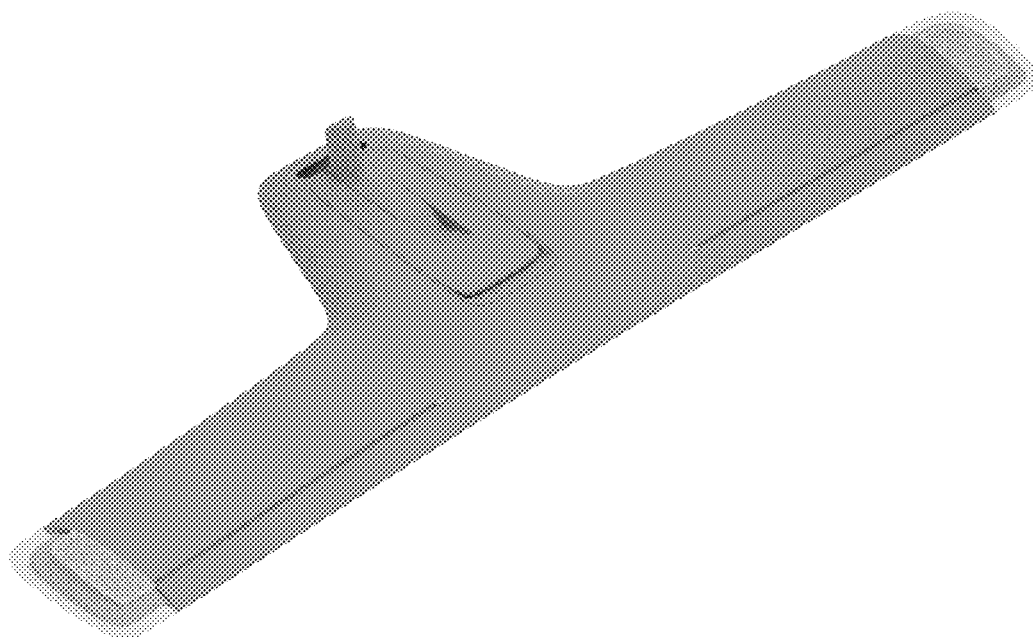
FIG. 1 is a front view of an overhead console showing my new design;
 FIG. 2 is a front and right side perspective view thereof;
 FIG. 3 is a rear and left side perspective view thereof;
 FIG. 4 is a rear view thereof;
 FIG. 5 is a left side view thereof;
 FIG. 6 is a right side view thereof;
 FIG. 7 is a top view thereof; and,
 FIG. 8 is a bottom view thereof.

(56) **References Cited**

U.S. PATENT DOCUMENTS

D282,251 S * 1/1986 Isham D12/195
 D282,733 S * 2/1986 Giavazzi D12/418
 4,867,498 A * 9/1989 Delphia B60Q 3/56
 248/104
 D860,116 S * 9/2019 Hodge D12/415
 D909,284 S * 2/2021 Hodge D12/415
 D915,999 S * 4/2021 Hodge D12/415

1 Claim, 8 Drawing Sheets



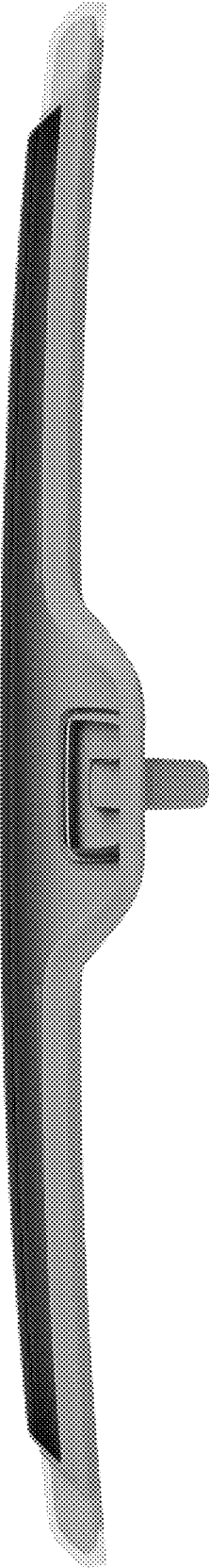


FIG. 1



FIG. 2

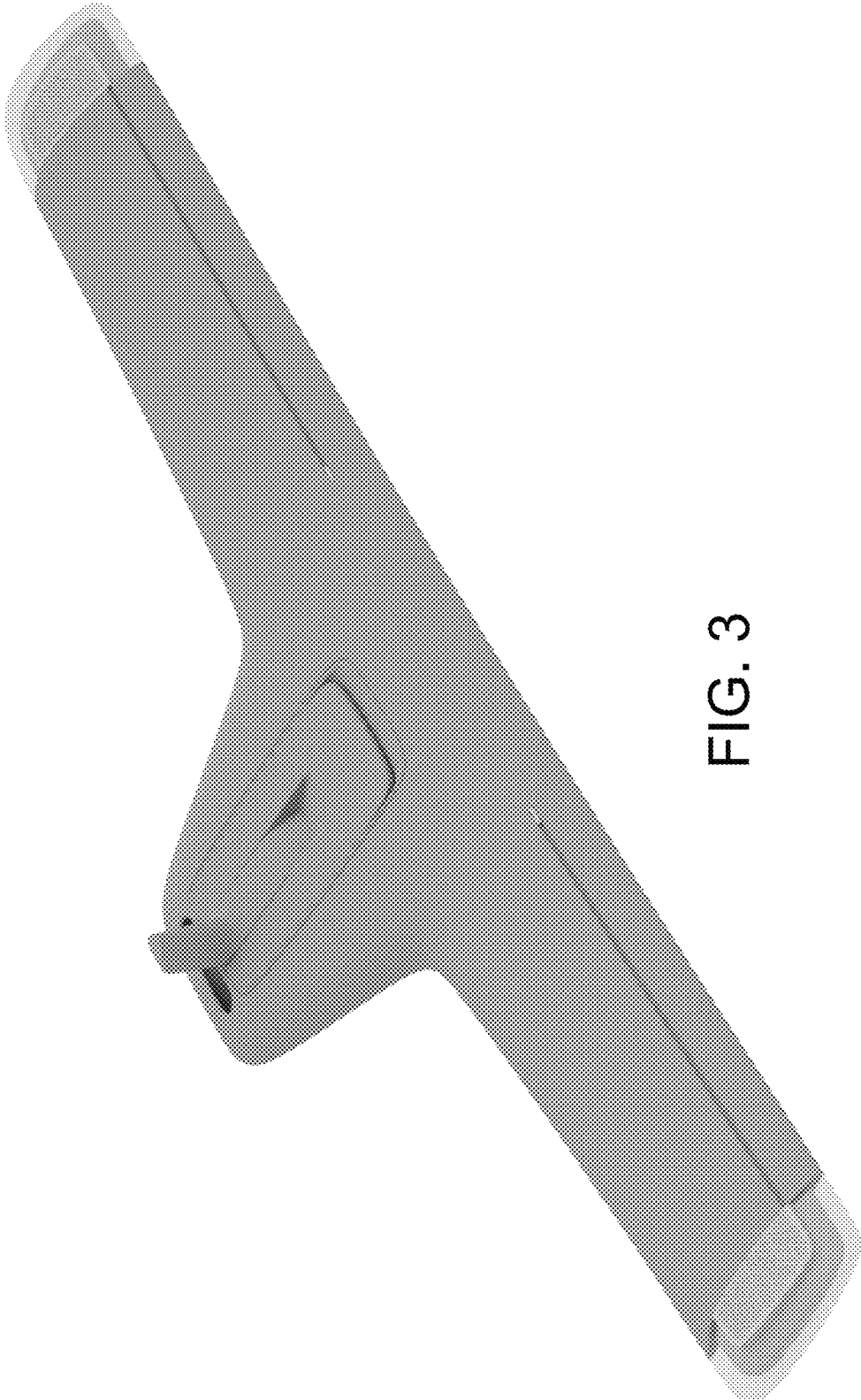


FIG. 3

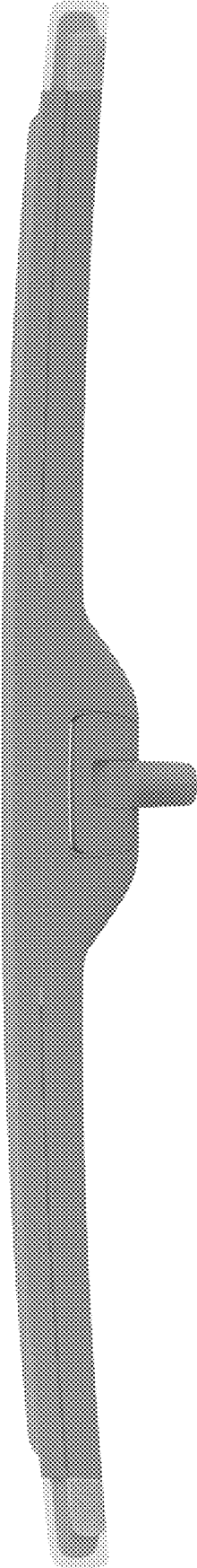


FIG. 4

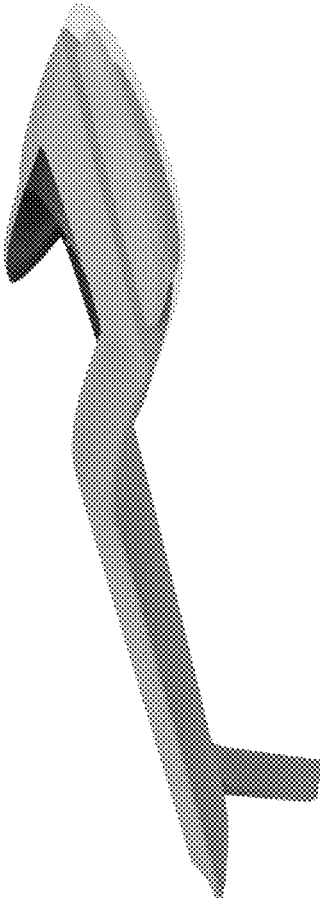


FIG. 5

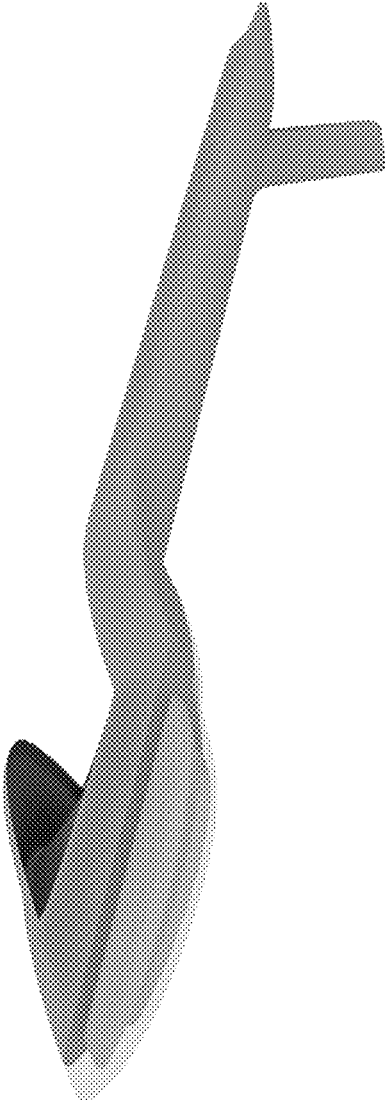


FIG. 6

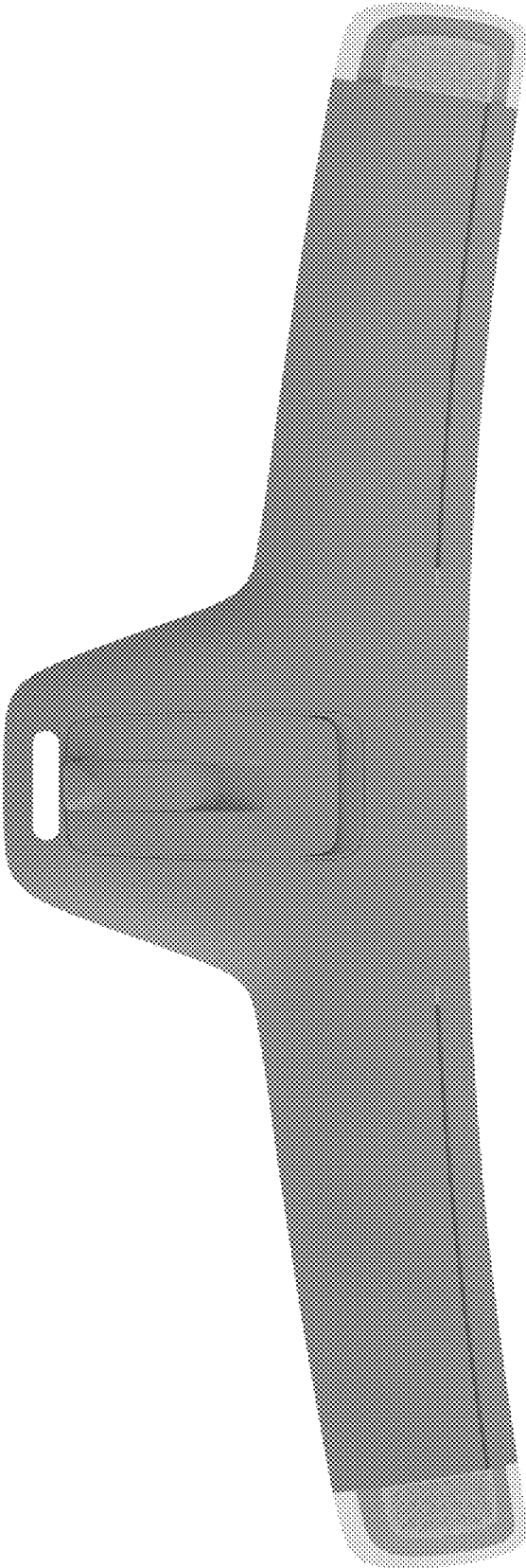


FIG. 7

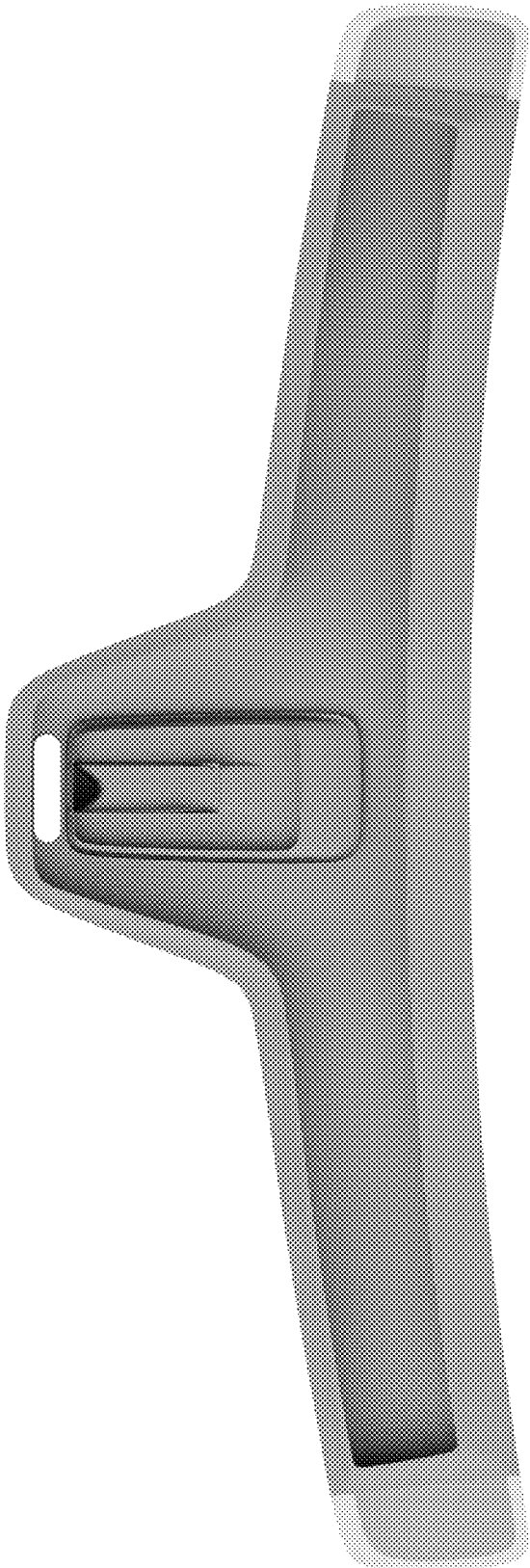


FIG. 8