



- (51) International Patent Classification:  
*A61B 10/02* (2006.01)
- (21) International Application Number:  
PCT/US2013/033544
- (22) International Filing Date:  
22 March 2013 (22.03.2013)
- (25) Filing Language: English
- (26) Publication Language: English
- (30) Priority Data:  
13/427,811 22 March 2012 (22.03.2012) US  
13/644,503 4 October 2012 (04.10.2012) US
- (72) Inventor; and
- (71) Applicant : SALEH, Rafic [US/US]; 291 Circle D, Aquadilla, PR (US).
- (74) Agent: HARMS, Donn, K.; 12702 Via Cortina, Suite 100, Del Mar, CA 92014 (US).
- (81) Designated States (unless otherwise indicated, for every kind of national protection available): AE, AG, AL, AM, AO, AT, AU, AZ, BA, BB, BG, BH, BN, BR, BW, BY, BZ, CA, CH, CL, CN, CO, CR, CU, CZ, DE, DK, DM,

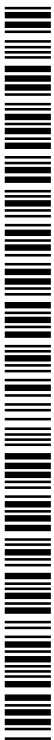
DO, DZ, EC, EE, EG, ES, FI, GB, GD, GE, GH, GM, GT, HN, HR, HU, ID, IL, IN, IS, JP, KE, KG, KM, KN, KP, KR, KZ, LA, LC, LK, LR, LS, LT, LU, LY, MA, MD, ME, MG, MK, MN, MW, MX, MY, MZ, NA, NG, NI, NO, NZ, OM, PA, PE, PG, PH, PL, PT, QA, RO, RS, RU, RW, SC, SD, SE, SG, SK, SL, SM, ST, SV, SY, TH, TJ, TM, TN, TR, TT, TZ, UA, UG, US, UZ, VC, VN, ZA, ZM, ZW.

- (84) Designated States (unless otherwise indicated, for every kind of regional protection available): ARIPO (BW, GH, GM, KE, LR, LS, MW, MZ, NA, RW, SD, SL, SZ, TZ, UG, ZM, ZW), Eurasian (AM, AZ, BY, KG, KZ, RU, TJ, TM), European (AL, AT, BE, BG, CH, CY, CZ, DE, DK, EE, ES, FI, FR, GB, GR, HR, HU, IE, IS, IT, LT, LU, LV, MC, MK, MT, NL, NO, PL, PT, RO, RS, SE, SI, SK, SM, TR), OAPI (BF, BJ, CF, CG, CI, CM, GA, GN, GQ, GW, ML, MR, NE, SN, TD, TG).

**Published:**

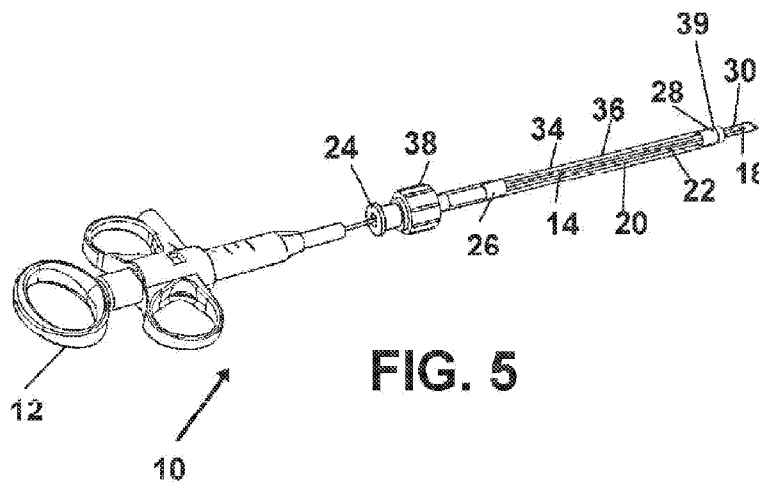
— with international search report (Art. 21(3))

- (88) Date of publication of the international search report:  
14 November 2013



WO 2013/142810 A3

(54) Title: SURGICAL INSTRUMENT FOR DEEP TISSUE AND/OR CELL SAMPLING



(57) Abstract: A tissue and/or cell sampling device for biopsies having a catheter sized for translation through a lumen on an instrument such as a bronchoscope. An aspiration needle engaged to a control member is employable by translation to remove a core of tissue from a sampling location. The translation can be limited to maintain the needle retracted into an axial passage. Forceps or a brush are translatablely engaged within the axial core of the needle and are translatable from the tip of the needle to take tissue and/or cell samples. The device is employable to allow for use of either sampling device independently, or sequentially, to allow deep tissue and/or cell samples to be retrieved from the distal end of the core tissue sample retrieved by the needle.

## INTERNATIONAL SEARCH REPORT

International application No.

PCT/US 2013/033544

A. CLASSIFICATION OF SUBJECT MATTER		
<i>A61B 10/02 (2006.01)</i>		
According to International Patent Classification (IPC) or to both national classification and IPC		
B. FIELDS SEARCHED		
Minimum documentation searched (classification system followed by classification symbols)		
A61B 10/00, 10/02, 17/34, 17/94		
Documentation searched other than minimum documentation to the extent that such documents are included in the fields searched		
Electronic data base consulted during the international search (name of data base and, where practicable, search terms used)		
PatSearch (RUPTO internal), USPTO, PAJ, Esp@cenet, Information Retrieval System of FIPS ( <a href="http://www.fips.ru">http://www.fips.ru</a> ), VINITI.RU, SCIENCEDIRECT		
C. DOCUMENTS CONSIDERED TO BE RELEVANT		
Category*	Citation of document, with indication, where appropriate, of the relevant passages	Relevant to claim No.
X	US 2006/0189891 A1 (IRVING WAXMAN et al.) 24.08.2006, [0029], [0031], [0044], [0055], [0059], [0070]-[0074], fig. 1, 5, 6, 7A-7E, claims 17, 20-26	1-6, 11-14, 17-20, 24
Y		7-10, 15-16, 21-23
Y	US 5971940 A (SCIMED LIFE SYSTEMS, INC.) 26.10.1999, col. 4, lines 22-28, fig. 3	7, 9
Y	RU 84690 U1 (LUNEV ANDREY VLADIMIROVICH) 20.07.2009, fig. 1, 2	8, 10, 15-16, 21-23
<input type="checkbox"/> Further documents are listed in the continuation of Box C. <input type="checkbox"/> See patent family annex.		
* Special categories of cited documents:		
"A" document defining the general state of the art which is not considered to be of particular relevance "E" earlier document but published on or after the international filing date "L" document which may throw doubts on priority claim(s) or which is cited to establish the publication date of another citation or other special reason (as specified) "O" document referring to an oral disclosure, use, exhibition or other means "P" document published prior to the international filing date but later than the priority date claimed	"T" later document published after the international filing date or priority date and not in conflict with the application but cited to understand the principle or theory underlying the invention "X" document of particular relevance; the claimed invention cannot be considered novel or cannot be considered to involve an inventive step when the document is taken alone "Y" document of particular relevance; the claimed invention cannot be considered to involve an inventive step when the document is combined with one or more other such documents, such combination being obvious to a person skilled in the art "&" document member of the same patent family	
Date of the actual completion of the international search		Date of mailing of the international search report
04 June 2013 (04.06.2013)		29 August 2013 (29.08.2013)
Name and mailing address of the ISA/ FIPS Russia, 123995, Moscow, G-59, GSP-5, Berezhkovskaya nab., 30-1		Authorized officer
Facsimile No. +7 (499) 243-33-37		A. Khanyukin
		Telephone No. (499) 240-25-91