

United States Patent [19]

Farnen

[11] Patent Number: **Des. 280,925**

[45] Date of Patent: **** Oct. 8, 1985**

- [54] **FLOOR DRAIN**
- [75] Inventor: **James M. Farnen**, Kansas City, Mo.
- [73] Assignee: **Drainage Products, Inc.**, Kansas City, Mo.
- [**] Term: **14 Years**
- [21] Appl. No.: **451,967**
- [22] Filed: **Dec. 21, 1982**
- [52] U.S. Cl. **D23/46; 137/247.29; 137/247.51**
- [58] Field of Search **D23/45-47; 285/127; 137/247.29, 247.43, 247.49, 247.51**
- [56] **References Cited**
- U.S. PATENT DOCUMENTS**
- 1,136,548 4/1915 Moore 285/127 X

- 1,301,687 4/1919 Grosvold 137/247.51
2,531,721 11/1950 Brock 137/247.29 X
2,770,315 11/1956 Powell 137/247.51 X
4,031,914 6/1977 Neri D23/46 X

Primary Examiner—James R. Largen
Attorney, Agent, or Firm—Litman, Day and McMahon

[57] CLAIM

The ornamental design for a floor drain, as shown and described.

DESCRIPTION

FIG. 1 is a right side elevational view of a floor drain showing my new design, the left side being a mirror image of the right side shown;
FIG. 2 is a front elevational view thereof;
FIG. 3 is a top plan view thereof;
FIG. 4 is a rear elevational view thereof; and
FIG. 5 is a bottom plan view thereof.

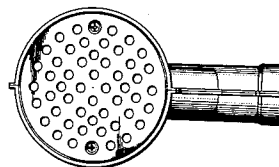
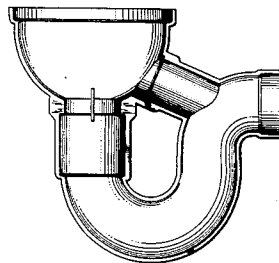


Fig. 1.

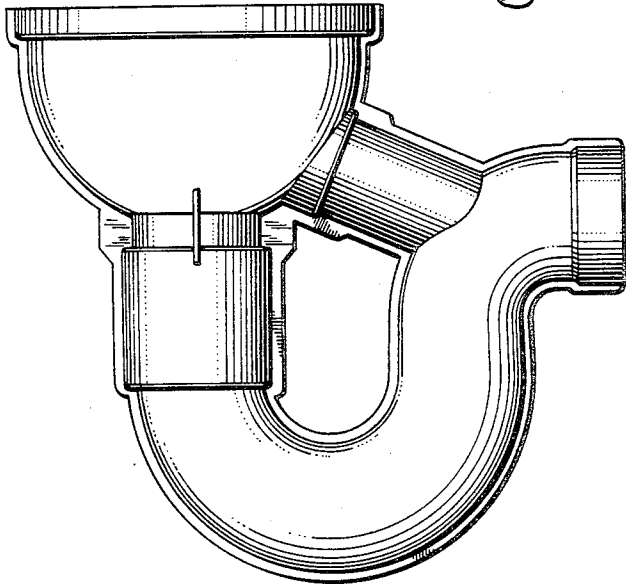


Fig. 2.

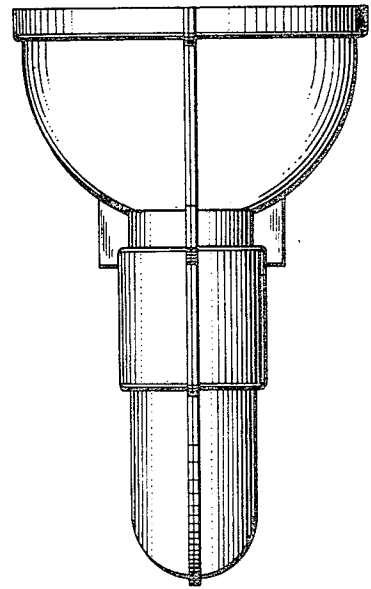


Fig. 3.

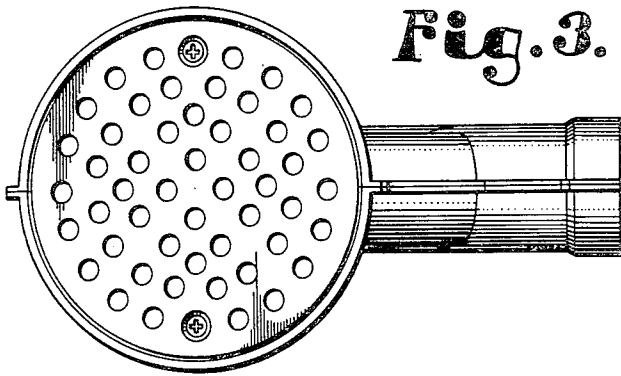


Fig. 4.

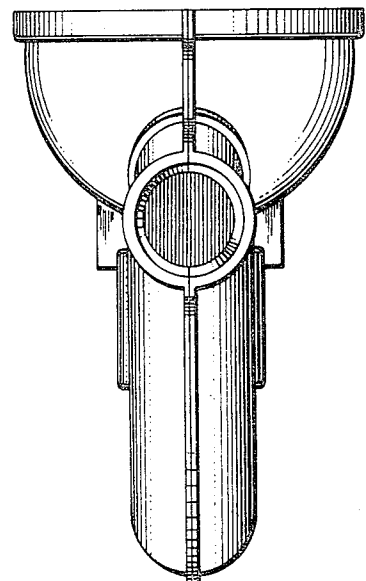


Fig. 5.

