



US00D790054S

(12) **United States Design Patent**
Prentice et al.

(10) **Patent No.:** **US D790,054 S**
(45) **Date of Patent:** **** Jun. 20, 2017**

(54) **SWIVEL CONNECTOR**

(71) Applicant: **Fisher & Paykel Healthcare Limited**,
Auckland (NZ)

(72) Inventors: **Craig Robert Prentice**, Auckland (NZ);
Bernard Tsz Lun Ip, Auckland (NZ);
Mark Arvind McLaren, Auckland
(NZ); **Kyle Gregory Brown**, Auckland
(NZ); **Chris Onin Limpin Hipolito**,
Auckland (NZ); **Mark Richard**
Tomlinson, Auckland (NZ); **Melissa**
Catherine Bornholdt, Auckland (NZ)

(73) Assignee: **Fisher & Paykel Healthcare Limited**,
Auckland (NZ)

(**) Term: **15 Years**

(21) Appl. No.: **29/540,680**

(22) Filed: **Sep. 25, 2015**

(51) **LOC (10) Cl.** **29-02**

(52) **U.S. Cl.**
USPC **D24/110; D24/110.5**

(58) **Field of Classification Search**
USPC D24/110–110.5, 127, 164
CPC A61M 16/0683; A61M 16/0605; A61M
16/0622; A61M 16/06; A61M 16/0616;
A61M 16/0661; A61M 16/0633; A61M
16/0644; A61M 16/0816; A61M 16/08;
A61M 16/0666; A61M 2210/0618

See application file for complete search history.

(56) **References Cited**

U.S. PATENT DOCUMENTS

D383,204 S 9/1997 Lomas et al.
6,631,718 B1 10/2003 Lovell et al.

(Continued)

OTHER PUBLICATIONS

Fisher & Paykel Announces Eson 2 Mask at Investor Day. Sleep
Review. Oct. 12, 2015. <http://www.sleepreviewmag.com/2015/10/
fisher-paykel-announces-eson-2-mask-investor-day/>.*

(Continued)

Primary Examiner — Barbara Fox

Assistant Examiner — Lilyana Bekic

(74) *Attorney, Agent, or Firm* — Knobbe, Martens, Olson
& Bear, LLP

(57) **CLAIM**

The ornamental design for a swivel connector, as shown and
described.

DESCRIPTION

The file of this patent contains at least one drawing/photo-
graph executed in color. Copies of this patent with color
drawing(s)/photograph(s) will be provided by the Office
upon request and payment of the necessary fee.

FIG. 1 is a top, front and side perspective view of a first
embodiment of a swivel connector embodying our new
design;

FIG. 2 is a front view thereof, the rear view being a mirror
image thereof;

FIG. 3 is a side view thereof, the opposite side being a mirror
image thereof;

FIG. 4 is a top view thereof; and

FIG. 5 is a bottom view thereof.

FIG. 6 is a top, front and side perspective view of a second
embodiment of a swivel connector embodying our new
design;

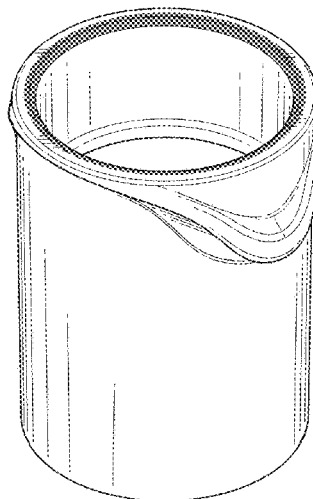
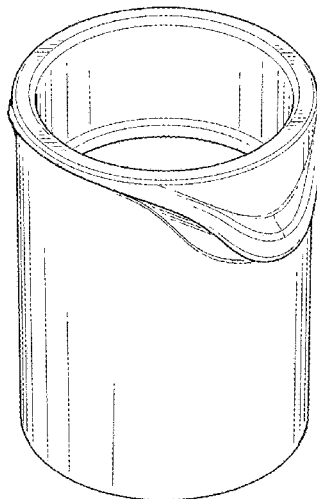
FIG. 7 is a front view thereof, the rear view being a mirror
image thereof;

FIG. 8 is a side view thereof, the opposite side being a mirror
image thereof;

FIG. 9 is a top view thereof; and,

FIG. 10 is a bottom view thereof.

1 Claim, 10 Drawing Sheets
(2 of 10 Drawing Sheet(s) Filed in Color)



(56)

References Cited

U.S. PATENT DOCUMENTS

- | | | | | | | | | |
|--------------|------|---------|-------------------|----------------------------|--------------|------|---------|--|
| 6,691,707 | B1 * | 2/2004 | Gunaratnam | A61M 16/06 128/206.21 | 2012/0305001 | A1 | 12/2012 | Tatkov et al. |
| D539,901 | S * | 4/2007 | McAuliffe | D24/110.1 | 2013/0152937 | A1 | 6/2013 | Jablonski et al. |
| 7,290,546 | B2 * | 11/2007 | Sprinkle | A61M 16/06 128/206.24 | 2013/0152938 | A1 | 6/2013 | Jablonski et al. |
| D556,899 | S * | 12/2007 | Veliss | D24/110.1 | 2013/0239972 | A1 * | 9/2013 | McAuley |
| D579,105 | S * | 10/2008 | Jones | D24/110.1 | | | | A61M 16/0683 128/205.25 |
| D597,202 | S * | 7/2009 | Reid | D24/110.1 | 2014/0090649 | A1 * | 4/2014 | Groll |
| 7,793,987 | B1 * | 9/2010 | Busch | A61M 16/0816 285/9.1 | 2014/0096774 | A1 * | 4/2014 | Olsen |
| D637,283 | S * | 5/2011 | Selvarajan | D24/110.1 | 2014/0174446 | A1 * | 6/2014 | Prentice |
| D651,304 | S * | 12/2011 | Edwards | D24/110.1 | 2014/0261427 | A1 | 9/2014 | Foote |
| D656,231 | S * | 3/2012 | Henry | D24/110.1 | 2014/0305433 | A1 * | 10/2014 | Rothermel |
| D679,376 | S | 4/2013 | Von Hollen et al. | | 2014/0326246 | A1 | 11/2014 | Chodkowski et al. |
| D679,377 | S | 4/2013 | Von Hollen et al. | | 2015/0000671 | A1 | 1/2015 | Frerichs et al. |
| D679,378 | S | 4/2013 | Von Hollen et al. | | 2015/0151069 | A1 * | 6/2015 | Zeijlstra |
| D683,447 | S | 5/2013 | Olsen et al. | | | | | A61M 16/06 128/205.25 |
| D692,554 | S * | 10/2013 | Siew | D24/110.1 | 2015/0174354 | A1 | 6/2015 | Matula, Jr. et al. |
| D693,459 | S | 11/2013 | Prentice et al. | | 2015/0174355 | A1 | 6/2015 | Willard et al. |
| D695,887 | S | 12/2013 | Ozolins et al. | | 2015/0202397 | A1 | 7/2015 | Pastoor et al. |
| D696,767 | S | 12/2013 | Scheiner et al. | | 2015/0209540 | A1 | 7/2015 | Hendriks et al. |
| D697,203 | S | 1/2014 | Clarke et al. | | 2015/0306320 | A1 * | 10/2015 | Markus |
| D706,413 | S | 6/2014 | Veliss et al. | | | | | A61M 16/06 128/203.12 |
| D717,945 | S | 11/2014 | Neff et al. | | 2015/0328422 | A1 | 11/2015 | Chodkowski et al. |
| 8,950,404 | B2 | 2/2015 | Formica et al. | | 2015/0367092 | A1 | 12/2015 | Goff et al. |
| D740,934 | S | 10/2015 | Formica et al. | | 2016/0008558 | A1 | 1/2016 | Huddart |
| D748,242 | S * | 1/2016 | Campbell | D24/110.5 | 2016/0067442 | A1 | 3/2016 | Salmon et al. |
| D751,188 | S | 3/2016 | Skipper et al. | | 2016/0082218 | A1 * | 3/2016 | Lau |
| D753,813 | S | 4/2016 | Ozolins et al. | | | | | A61M 16/0816 128/202.27 |
| D754,328 | S | 4/2016 | Bowsher et al. | | 2016/0121067 | A1 | 5/2016 | VanMiddendorp et al. |
| 2002/0023649 | A1 * | 2/2002 | Gunaratnam | A61M 16/06 128/205.25 | | | | OTHER PUBLICATIONS |
| 2002/0026934 | A1 | 3/2002 | Lithgow | | | | | New—Eson 2 Fisher & Paykel Nasal Mask. CPAP Victoria: Snoring & Sleep Apnoea Solutions. cpapvictoria.com.au. Date accessed: May 21, 2016. < http://cpapvictoria.com.au/new-eson-2-fisher-paykel-nasal-mask.html >.* |
| 2003/0196659 | A1 * | 10/2003 | Gradon | A61M 16/1095 128/201.26 | | | | Fisher & Paykel Eson 2 Nasal Mask. CPAP Direct. cpapdirect.com.au. Date accessed: May 21, 2016. < https://cpapdirect.com.au/wp-content/uploads/2015/12/Eson2-Exploded-1 image.jpg >.* |
| 2004/0083534 | A1 | 5/2004 | Ruiz | | | | | Swivel for Fisher Paykel Eson2 Nasal Mask #400FPH241. CPAP Australia. www.cpapaustralia.com.au. Date accessed: May 21, 2016. < https://www.cpapaustralia.com.au/shopping/swivel-for-fisher-paykel-eson2-nasal-mask-400fph241.html >.* |
| 2004/0112377 | A1 | 6/2004 | Amarasinghe | | | | | Office Action for U.S. Appl. No. 29/540,662 dated May 19, 2016. |
| 2007/0175480 | A1 | 8/2007 | Gradon et al. | | | | | Office Action for U.S. Appl. No. 29/540,681 dated May 19, 2016. |
| 2008/0192459 | A1 | 8/2008 | Kwok et al. | | | | | Office Action for U.S. Appl. No. 29/540,693 dated Jun. 2, 2016. |
| 2009/0194111 | A1 * | 8/2009 | Fu | A61M 16/06 128/205.24 | | | | |
| 2010/0000538 | A1 * | 1/2010 | Edwards | A61M 16/06 128/205.25 | | | | |
| 2010/0031963 | A1 | 2/2010 | Lee et al. | | | | | |
| 2010/0059058 | A1 * | 3/2010 | Kuo | A61M 16/06 128/205.25 | | | | |
| 2011/0197341 | A1 | 8/2011 | Formica et al. | | | | | |
| 2012/0204881 | A1 | 8/2012 | Davidson et al. | | | | | |
| 2012/0234326 | A1 | 9/2012 | Mazzone et al. | | | | | |

* cited by examiner

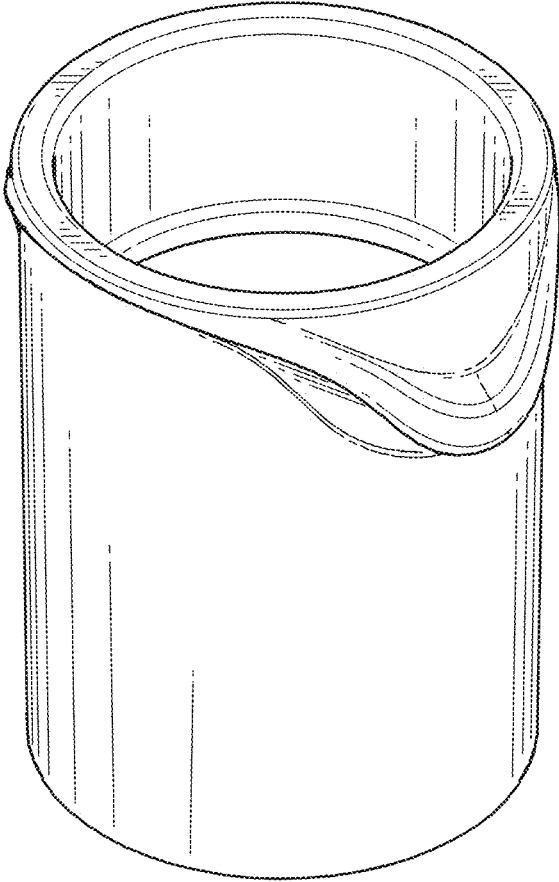


FIG. 1

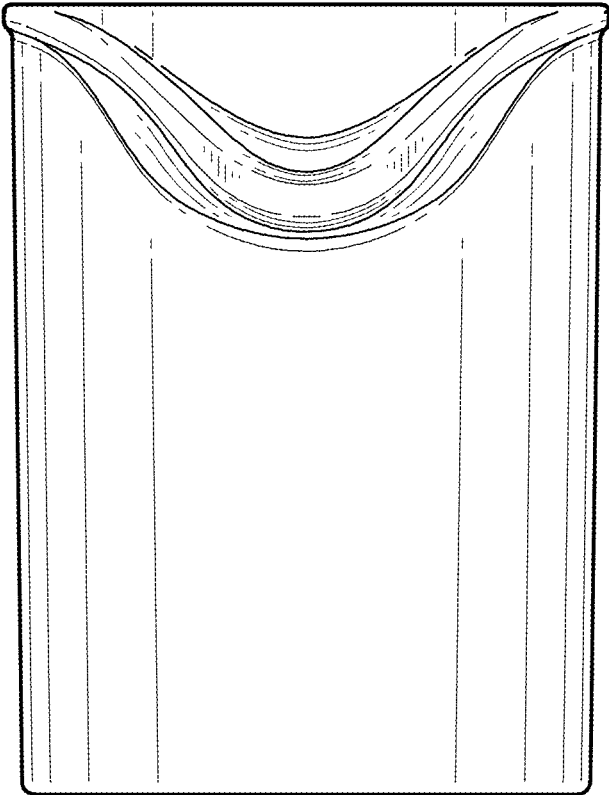


FIG. 2

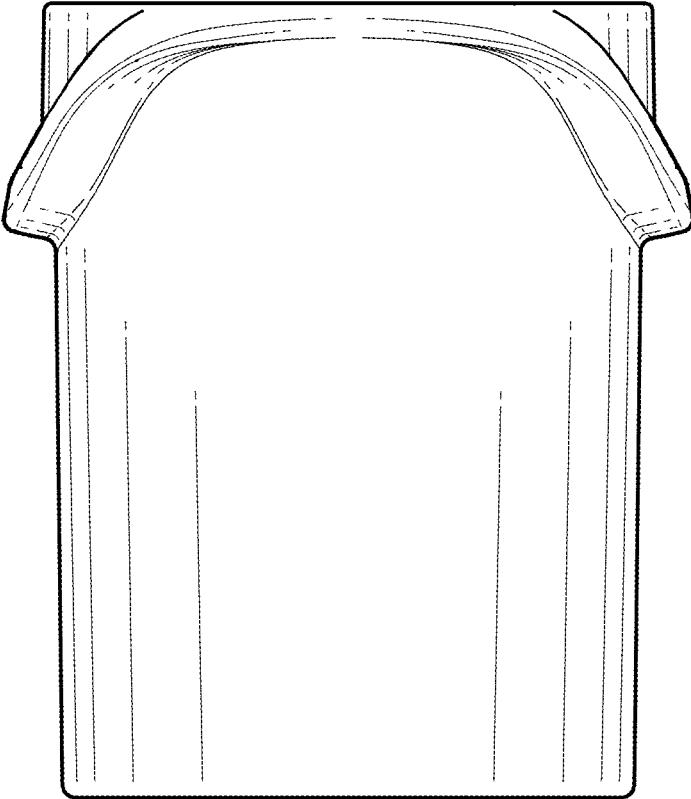


FIG. 3

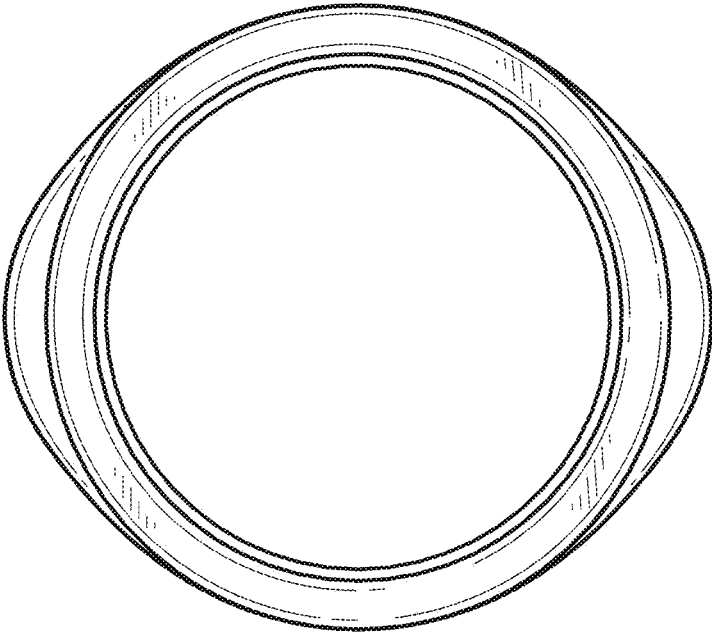


FIG. 4

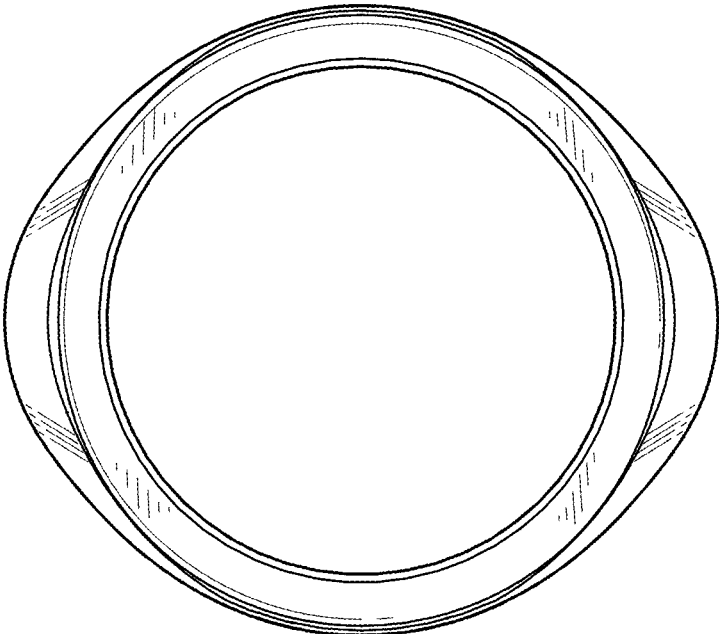


FIG. 5

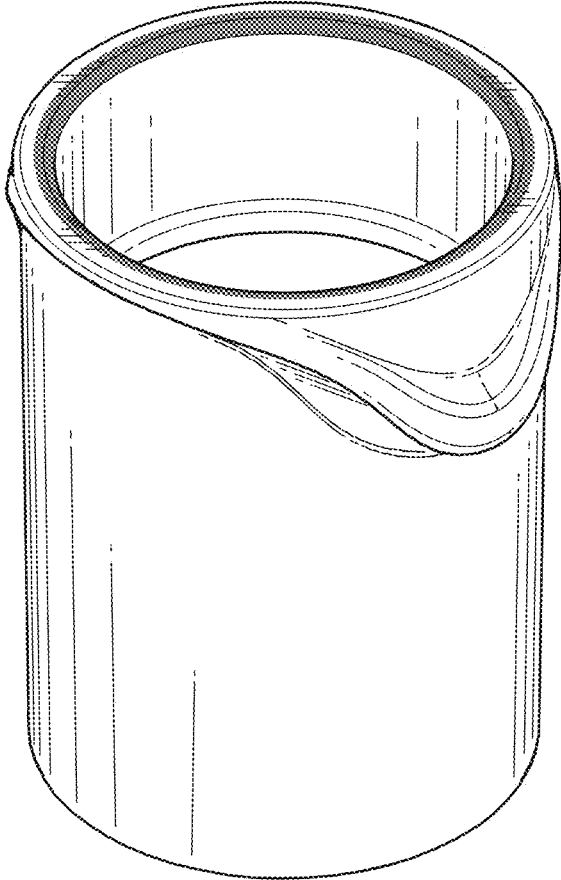


FIG. 6

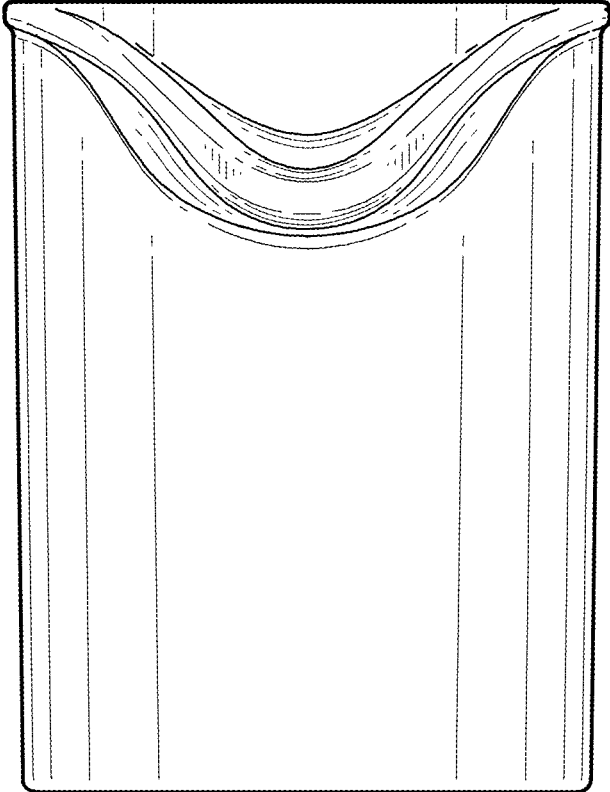


FIG. 7

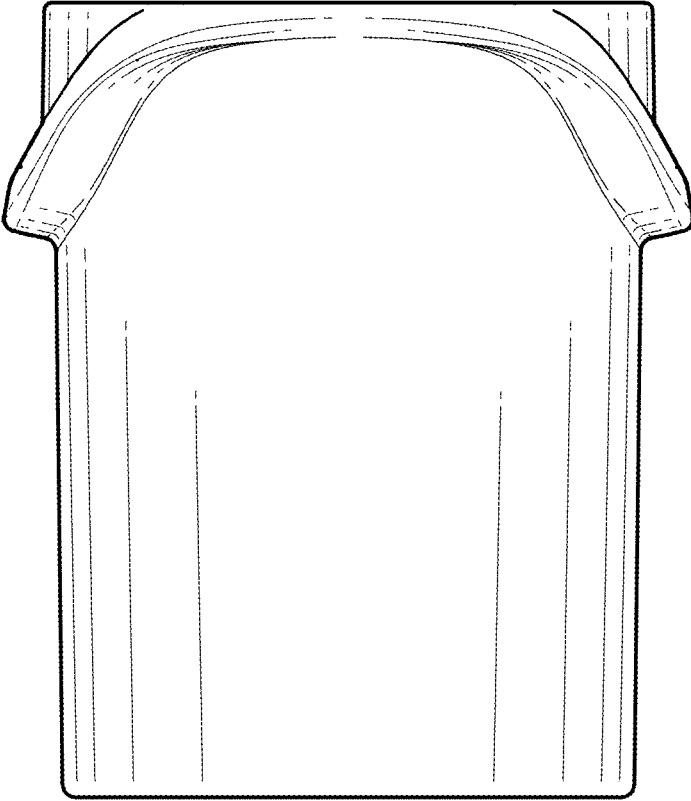


FIG. 8

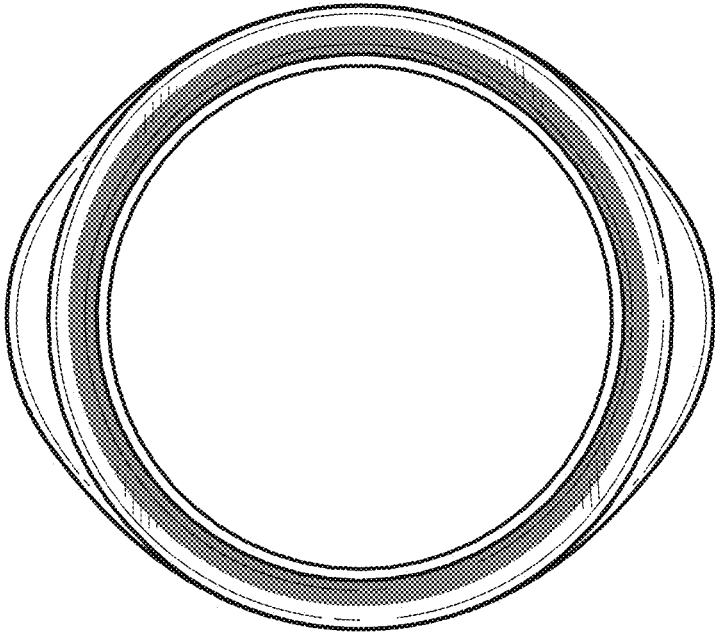


FIG. 9

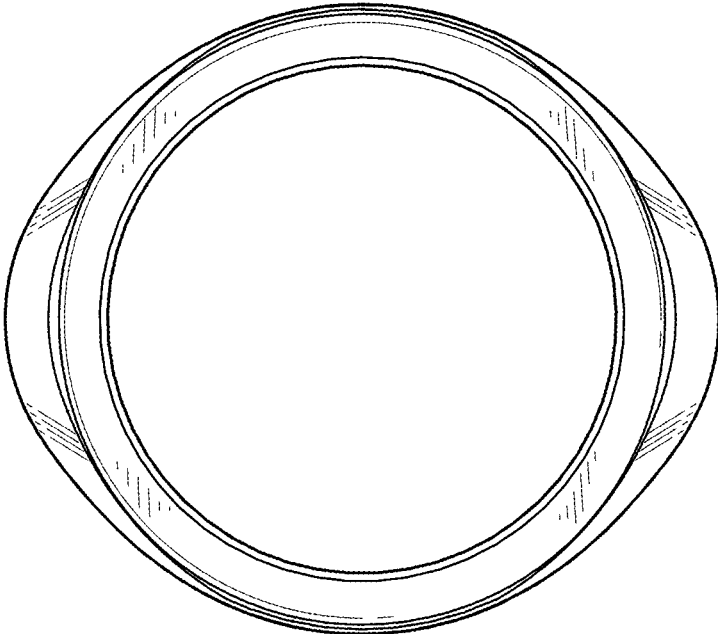


FIG. 10