



(51) International Patent Classification:
H04N 7/64 (2006.01)

Inc. IP Group, 16 Woomyeon-Dong, Seocho-Gu, Seoul 137-724 (KR).

(21) International Application Number:
PCT/KR2009/002272

(74) Agents: KIM, Yong In et al.; KBK & Associate, 7th Floor, Hyundai Building, 175-9, Jamsil-dong, Songpa-ku, Seoul 138-861 (KR).

(22) International Filing Date:
29 April 2009 (29.04.2009)

(81) Designated States (unless otherwise indicated, for every kind of national protection available): AE, AG, AL, AM, AO, AT, AU, AZ, BA, BB, BG, BH, BR, BW, BY, BZ, CA, CH, CN, CO, CR, CU, CZ, DE, DK, DM, DO, DZ, EC, EE, EG, ES, FI, GB, GD, GE, GH, GM, GT, HN, HR, HU, ID, IL, IN, IS, JP, KE, KG, KM, KN, KP, KZ, LA, LC, LK, LR, LS, LT, LU, LY, MA, MD, ME, MG, MK, MN, MW, MX, MY, MZ, NA, NG, NI, NO, NZ, OM, PG, PH, PL, PT, RO, RS, RU, SC, SD, SE, SG, SK, SL, SM, ST, SV, SY, TJ, TM, TN, TR, TT, TZ, UA, UG, US, UZ, VC, VN, ZA, ZM, ZW.

(25) Filing Language: English

(26) Publication Language: English

(30) Priority Data:
61/048,557 29 April 2008 (29.04.2008) US
61/053,017 14 May 2008 (14.05.2008) US
10-2009-0037296 28 April 2009 (28.04.2009) KR

(71) Applicant (for all designated States except US): LG ELECTRONICS INC. [KR/KR]; 20, Yeouido-dong, Yeongdeungpo-gu, Seoul 150-721 (KR).

(72) Inventors; and

(75) Inventors/Applicants (for US only): CHOI, In Hwan [KR/KR]; LG Electronics Inc. IP Group, 16 Woomyeon-Dong, Seocho-Gu, Seoul 137-724 (KR). KIM, Byoung Gill [KR/KR]; LG Electronics Inc. IP Group, 16 Woomyeon-Dong, Seocho-Gu, Seoul 137-724 (KR). SONG, Won Gyu [KR/KR]; LG Electronics Inc. IP Group, 16 Woomyeon-Dong, Seocho-Gu, Seoul 137-724 (KR). KIM, Jin Woo [KR/KR]; LG Electronics Inc. IP Group, 16 Woomyeon-Dong, Seocho-Gu, Seoul 137-724 (KR). LEE, Hyoung Gon [KR/KR]; LG Electronics Inc. IP Group, 16 Woomyeon-Dong, Seocho-Gu, Seoul 137-724 (KR). KO, Hyo Sang [KR/KR]; LG Electronics

(84) Designated States (unless otherwise indicated, for every kind of regional protection available): ARIPO (BW, GH, GM, KE, LS, MW, MZ, NA, SD, SL, SZ, TZ, UG, ZM, ZW), Eurasian (AM, AZ, BY, KG, KZ, MD, RU, TJ, TM), European (AT, BE, BG, CH, CY, CZ, DE, DK, EE, ES, FI, FR, GB, GR, HR, HU, IE, IS, IT, LT, LU, LV, MC, MK, MT, NL, NO, PL, PT, RO, SE, SI, SK, TR), OAPI (BF, BJ, CF, CG, CI, CM, GA, GN, GQ, GW, ML, MR, NE, SN, TD, TG).

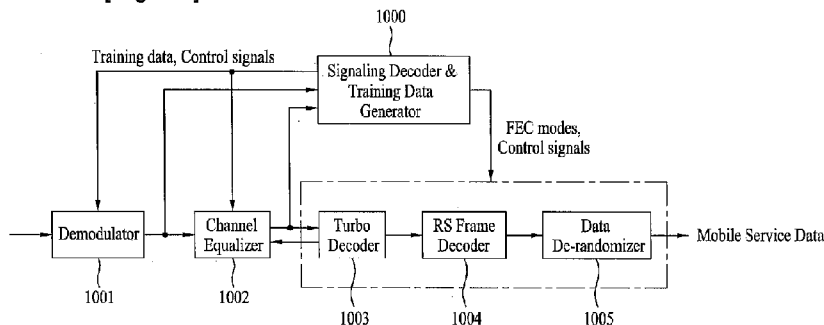
Published:

- with international search report (Art. 21(3))
- before the expiration of the time limit for amending the claims and to be republished in the event of receipt of amendments (Rule 48.2(h))

[Continued on next page]

(54) Title: RECEIVING/TRANSMITTING SYSTEM AND DATA PROCESSING METHOD IN THE RECEIVING/TRANSMITTING SYSTEM

[Fig. 28]



(57) Abstract: A receiving system and a data processing method are disclosed. The receiving system includes a receiving unit, a controller (1000), a demodulator (1001), an equalizer (1002), a turbo decoder (1003), and an error correction unit (1004). The receiving unit receives a broadcast signal including data packets, wherein an M/H service data packet includes known data and signaling data is periodically inserted for each of K number of data packets. The controller (1000) detects known data and decodes the signaling data from the received broadcast signal. The demodulator (1001) demodulates the received broadcast signal, based upon the known data. The equalizer (1002) channel-equalizes the demodulated broadcast signal, based upon the known data. The turbo decoder (1003) performs regressive turbo decoding on mobile service data, among the channel-equalized data, by applying at least one of an SCCC mode and a PCCC mode, based upon the signaling data. The error correction unit (1004) performs error correction on the mobile service data being turbo-decoded and outputted, based upon the signaling data.

WO 2009/134084 A3

(88) Date of publication of the international search report:
10 May 2012

INTERNATIONAL SEARCH REPORT

International application No.

PCT / KR 2009/002272

<p>A. CLASSIFICATION OF SUBJECT MATTER IPC: H04N 7/64 (2006.01) According to International Patent Classification (IPC) or to both national classification and IPC</p>		
<p>B. FIELDS SEARCHED Minimum documentation searched (classification system followed by classification symbols) H04N</p>		
<p>Documentation searched other than minimum documentation to the extent that such documents are included in the fields searched</p>		
<p>Electronic data base consulted during the international search (name of data base and, where practicable, search terms used) WPI, EPODOC</p>		
<p>C. DOCUMENTS CONSIDERED TO BE RELEVANT</p>		
Category*	Citation of document, with indication, where appropriate, of the relevant passages	Relevant to claim No.
A	US 2007086488 A1 (KIM et al.) 19 April 2007 (19.04.2007) Paragraph [0122]; Claims 21, 33-35	1-15
A	WO 2007145410 A1 (LG ELECTRONICS INC,) 21 December 2007 (21.12.2007) Paragraph [0088]; Claim 21	1-15
<p><input type="checkbox"/> Further documents are listed in the continuation of Box C. <input checked="" type="checkbox"/> See patent family annex.</p>		
<p>* Special categories of cited documents:</p> <p>“A” document defining the general state of the art which is not considered to be of particular relevance</p> <p>“E” earlier application or patent but published on or after the international filing date</p> <p>“L” document which may throw doubts on priority claim(s) or which is cited to establish the publication date of another citation or other special reason (as specified)</p> <p>“O” document referring to an oral disclosure, use, exhibition or other means</p> <p>“P” document published prior to the international filing date but later than the priority date claimed</p> <p>“T” later document published after the international filing date or priority date and not in conflict with the application but cited to understand the principle or theory underlying the invention.</p> <p>“X” document of particular relevance; the claimed invention cannot be considered novel or cannot be considered to involve an inventive step when the document is taken alone</p> <p>“Y” document of particular relevance; the claimed invention cannot be considered to involve an inventive step when the document is combined with one or more other such documents, such combination being obvious to a person skilled in the art</p> <p>“&” document member of the same patent family</p>		
<p>Date of the actual completion of the international search 29 February 2012 (29.02.2012)</p>		<p>Date of mailing of the international search report 15 March 2012 (15.03.2012)</p>
<p>Name and mailing address of the ISA/AT Austrian Patent Office Dresdner Straße 87, A-1200 Vienna Facsimile No. +43 / 1 / 534 24-535</p>		<p>Authorized officer FUSSY S. Telephone No. +43 / 1 / 534 24-328</p>

INTERNATIONAL SEARCH REPORT
Information on patent family members

International application No.

PCT / KR 2009/002272

Patent document cited in search report			Patent family member(s)			Publication date
US	A1	2007086488	US	A1	2007086488	2007-04-19
			AT		444544T	2009-10-15
			AT	T	444544	2009-10-15
			AT		444545T	2009-10-15
			AT	T	444545	2009-10-15
			AT		451679T	2009-12-15
			AT	T	451679	2009-12-15
			AT		451680T	2009-12-15
			AT	T	451680	2009-12-15
			AT		453908T	2010-01-15
			AT	T	453908	2010-01-15
			AT		455344T	2010-01-15
			AT	T	455344	2010-01-15
			AT		455348T	2010-01-15
			AT	T	455348	2010-01-15
			AT		459951T	2010-03-15
			AT	T	459951	2010-03-15
			AT		459952T	2010-03-15
			AT	T	459952	2010-03-15
			AT		462178T	2010-04-15
			AT	T	462178	2010-04-15
			AT		472148T	2010-07-15
			AT	T	472148	2010-07-15
			AT		473497T	2010-07-15
			AT	T	473497	2010-07-15
			AT		475164T	2010-08-15
			AT	T	475164	2010-08-15
			AT		476729T	2010-08-15
			AT	T	476729	2010-08-15
			AT		478409T	2010-09-15
			AT	T	478409	2010-09-15
			AT		478410T	2010-09-15
			AT	T	478410	2010-09-15
			AT		479175T	2010-09-15
			AT	T	479175	2010-09-15
			AT		479176T	2010-09-15
			AT	T	479176	2010-09-15
			AT		479283T	2010-09-15
			AT	T	479283	2010-09-15
			AT		479977T	2010-09-15
			AT	T	479977	2010-09-15
			AT		500690T	2011-03-15
			AT	T	500690	2011-03-15
			AT		504162T	2011-04-15
			AT	T	504162	2011-04-15
			AT		506808T	2011-05-15
			AT	T	506808	2011-05-15
			AT		509338T	2011-05-15
			AT	T	509338	2011-05-15
			AT		526659T	2011-10-15
			AT	T	526659	2011-10-15
			AT		539425T	2012-01-15
			AT	T	539425	2012-01-15
			AT		540391T	2012-01-15
			AT	T	540391	2012-01-15
			AT		545123T	2012-02-15
			AT	T	545123	2012-02-15
			AU	A1	2006266579	2007-01-11
			AU		2006266579B	2009-10-22
			AU	B2	2006266579	2009-10-22
			AU	A1	2006266655	2007-01-11
			AU		2006266655B	2009-08-20

INTERNATIONAL SEARCH REPORT
Information on patent family members

International application No.

PCT / KR 2009/002272

AU	B2	2006266655	2009-08-20
AU	A1	2006285538	2007-03-08
AU		2006285538B	2011-03-24
AU	B2	2006285538	2011-03-24
AU	A1	2006285544	2007-03-08
AU		2006285544B	2012-01-12
AU	B2	2006285544	2012-01-12
AU	A1	2006297950	2007-04-12
AU		2006297950B	2009-10-08
AU	B2	2006297950	2009-10-08
AU	A1	2006300101	2007-04-19
AU		2006300101B	2010-09-16
AU	B2	2006300101	2010-09-16
AU	A1	2006300102	2007-04-19
AU		2006300102B	2010-09-16
AU	B2	2006300102	2010-09-16
AU	A1	2006300103	2007-04-19
AU		2006300103B	2010-09-09
AU	B2	2006300103	2010-09-09
AU	A1	2006306942	2007-05-03
AU		2006306942B	2010-02-18
AU	B2	2006306942	2010-02-18
AU	A1	2007207952	2007-08-02
AU		2007207952B	2009-12-10
AU	B2	2007207952	2009-12-10
AU	A1	2007212845	2007-08-16
AU		2007212845B	2010-01-28
AU	B2	2007212845	2010-01-28
AU	A1	2007212873	2007-08-16
AU		2007212873B	2010-02-25
AU	B2	2007212873	2010-02-25
AU	A1	2007218453	2007-08-30
AU		2007218453B	2010-09-02
AU	B2	2007218453	2010-09-02
AU	A1	2007300810	2008-04-03
AU		2007300810B	2010-06-17
AU	B2	2007300810	2010-06-17
AU	A1	2007300812	2008-04-03
AU		2007300812B	2010-06-10
AU	B2	2007300812	2010-06-10
AU	A1	2007300813	2008-04-03
AU		2007300813B	2010-10-14
AU	B2	2007300813	2010-10-14
AU	A1	2007300814	2008-04-03
AU		2007300814B	2010-05-13
AU	B2	2007300814	2010-05-13
AU	A1	2007322487	2008-05-29
AU		2007322487B	2010-12-16
AU	B2	2007322487	2010-12-16
AU	A1	2007322488	2008-05-29
AU		2007322488B	2010-04-29
AU	B2	2007322488	2010-04-29
AU	A1	2008215230	2008-08-21
AU		2008215230B	2010-03-04
AU	B2	2008215230	2010-03-04
AU	A1	2008215231	2008-08-21
AU		2008215231B	2010-02-18
AU	B2	2008215231	2010-02-18
AU	A1	2008215232	2008-08-21
AU		2008215232B	2010-02-25
AU	B2	2008215232	2010-02-25
BR	A	PI0604391	2007-08-28
BR	A2	PI0606970	2009-07-28
BR	A2	PI0610712	2010-07-20
BR	A2	PI0610713	2010-07-20
BR	A2	PI0610738	2010-07-20
BR	A2	PI0610740	2011-09-27
BR	A2	PI0610741	2010-07-20

INTERNATIONAL SEARCH REPORT
Information on patent family members

International application No.

PCT / KR 2009/002272

BR	A2	PI0610743	2010-07-20
BR	A2	PI0612689	2010-11-30
BR	A2	PI0613076	2010-12-21
BR	A2	PI0613099	2010-12-21
BR	A2	PI0615114	2011-05-03
BR	A2	PI0615317	2011-05-17
BR	A2	PI0616611	2011-06-28
BR	A2	PI0616859	2011-07-05
BR	A2	PI0616941	2011-07-05
BR	A2	PI0616945	2011-07-05
BR	A2	PI0617779	2011-08-09
BR	A	PI0702851	2008-04-01
BR	A2	PI0706488	2011-03-29
BR	A2	PI0707498	2011-05-10
BR	A2	PI0708047	2011-05-17
BR	A2	PI0710923	2011-05-31
BR	A2	PI0710935	2012-02-14
BR	A2	PI0711094	2011-08-23
BR	A2	PI0711102	2011-08-23
BR	A2	PI0711104	2011-08-23
BR	A2	PI0711185	2011-08-23
BR	A2	PI0802611	2011-08-30
BR	A2	PI0802613	2011-08-30
BR	A2	PI0802614	2011-08-30
CA	A1	2559606	2007-04-05
CA	A1	2562194	2007-04-05
CA	C	2562194	2012-02-21
CA	A1	2562202	2007-04-05
CA	A1	2562206	2007-04-05
CA	A1	2562209	2007-04-05
CA	C	2562209	2011-11-22
CA	A1	2562212	2007-04-05
CA	A1	2562220	2007-04-05
CA	A1	2562225	2007-04-05
CA	A1	2562427	2007-04-05
CA	A1	2562544	2007-04-05
CA	A1	2596048	2006-11-23
CA	C	2596048	2011-02-08
CA	A1	2600304	2007-07-26
CA	C	2600304	2011-01-04
CA	A1	2608698	2006-11-23
CA	A1	2608700	2006-11-23
CA	C	2608700	2011-11-15
CA	A1	2608701	2006-11-23
CA	A1	2608703	2006-11-23
CA	A1	2608710	2006-11-23
CA	A1	2609189	2006-11-23
CA	A1	2613731	2007-01-11
CA	A1	2613885	2007-01-11
CA	A1	2620030	2007-03-08
CA	C	2620030	2011-08-23
CA	A1	2620627	2007-03-08
CA	C	2620627	2011-03-15
CA	A1	2624633	2007-04-12
CA	C	2624633	2012-01-10
CA	A1	2626132	2007-05-03
CA	A1	2636330	2007-08-30
CA	A1	2637722	2007-08-16
CA	A1	2645863	2008-05-29
CA	A1	2645908	2008-04-03
CA	A1	2645909	2008-04-03
CA	A1	2645910	2008-04-03
CA	A1	2645911	2008-05-29
CA	A1	2645912	2008-08-21
CA	A1	2645913	2008-08-21
CA	A1	2645915	2008-08-21
CA	A1	2646045	2008-04-03
CA	A1	2646278	2007-08-16

INTERNATIONAL SEARCH REPORT
Information on patent family members

International application No.

PCT / KR 2009/002272

CA	A1	2655302	2007-12-21
CA	A1	2656881	2008-01-17
CA	A1	2656976	2008-01-10
CA	A1	2661829	2008-03-20
CN	A	1946191	2007-04-11
CN		1946191B	2010-10-27
CN	B	1946191	2010-10-27
CN	A	1953358	2007-04-25
CN	A	1980138	2007-06-13
CN		1980138B	2010-09-01
CN	B	1980138	2010-09-01
CN	A	1992566	2007-07-04
CN	A	1992567	2007-07-04
CN	A	1992568	2007-07-04
CN	A	1992569	2007-07-04
CN	A	1992570	2007-07-04
CN		1992570B	2011-05-11
CN	B	1992570	2011-05-11
CN	A	1992905	2007-07-04
CN		100593340C	2010-03-03
CN	C	100593340	2010-03-03
CN	A	101228565	2008-07-23
CN		100576282C	2009-12-30
CN	C	100576282	2009-12-30
CN	A	101176132	2008-05-07
CN		100580740C	2010-01-13
CN	C	100580740	2010-01-13
CN	A	101218615	2008-07-09
CN		100589146C	2010-02-10
CN	C	100589146	2010-02-10
CN	A	101185107	2008-05-21
CN		100593801C	2010-03-10
CN	C	100593801	2010-03-10
CN	A	101009525	2007-08-01
CN		101009525B	2012-01-25
CN	B	101009525	2012-01-25
CN	A	101128858	2008-02-20
CN		101128858B	2011-04-06
CN	B	101128858	2011-04-06
CN	A	101175082	2008-05-07
CN	A	101194485	2008-06-04
CN	A	101228566	2008-07-23
CN		101228566B	2010-05-19
CN	B	101228566	2010-05-19
CN	A	101243488	2008-08-13
CN	A	101243490	2008-08-13
CN	A	101243491	2008-08-13
CN	A	101248484	2008-08-20
CN	A	101253551	2008-08-27
CN	A	101253552	2008-08-27
CN	A	101253553	2008-08-27
CN	A	101253554	2008-08-27
CN		101253554B	2011-12-07
CN	B	101253554	2011-12-07
CN	A	101253806	2008-08-27
CN	A	101253807	2008-08-27
CN	A	101253808	2008-08-27
CN	A	101253809	2008-08-27
CN		101253809B	2011-12-28
CN	B	101253809	2011-12-28
CN	A	101253810	2008-08-27
CN		101253810B	2011-12-14
CN	B	101253810	2011-12-14
CN	A	101258532	2008-09-03
CN	A	101283248	2008-10-08
CN	A	101283249	2008-10-08
CN	A	101283250	2008-10-08
CN	A	101283251	2008-10-08

INTERNATIONAL SEARCH REPORT
Information on patent family members

International application No.

PCT / KR 2009/002272

CN	A	101283252	2008-10-08
CN	A	101283253	2008-10-08
CN	A	101283254	2008-10-08
CN		101283254B	2011-07-06
CN	B	101283254	2011-07-06
CN	A	101283255	2008-10-08
CN	A	101283256	2008-10-08
CN	A	101283397	2008-10-08
CN	A	101283398	2008-10-08
CN	A	101283399	2008-10-08
CN	A	101283400	2008-10-08
CN	A	101283401	2008-10-08
CN	A	101283402	2008-10-08
CN	A	101283403	2008-10-08
CN	A	101283404	2008-10-08
CN	A	101283405	2008-10-08
CN	A	101283406	2008-10-08
CN	A	101288115	2008-10-15
CN	A	101288116	2008-10-15
CN	A	101297352	2008-10-29
CN	A	101297594	2008-10-29
CN	A	101297595	2008-10-29
CN	A	101297596	2008-10-29
CN	A	101297597	2008-10-29
CN	A	101297598	2008-10-29
CN		101297598B	2011-08-17
CN	B	101297598	2011-08-17
CN	A	101297599	2008-10-29
CN	A	101310328	2008-11-19
CN	A	101317214	2008-12-03
CN	A	101317215	2008-12-03
CN	A	101317216	2008-12-03
CN	A	101361274	2009-02-04
CN	A	101361275	2009-02-04
CN	A	101361276	2009-02-04
CN	A	101361277	2009-02-04
CN	A	101375601	2009-02-25
CN	A	101379552	2009-03-04
CN	A	101379553	2009-03-04
CN		101379553B	2012-02-29
CN	B	101379553	2012-02-29
CN	A	101379554	2009-03-04
CN	A	101379555	2009-03-04
CN	A	101385075	2009-03-11
CN	A	101385076	2009-03-11
CN	A	101385077	2009-03-11
CN	A	101385078	2009-03-11
CN	A	101401136	2009-04-01
CN		101401136B	2010-06-23
CN	B	101401136	2010-06-23
CN	A	101405782	2009-04-08
CN		101405782B	2010-08-04
CN	B	101405782	2010-08-04
CN	A	101406048	2009-04-08
CN	A	101406049	2009-04-08
CN	A	101406050	2009-04-08
CN	A	101406051	2009-04-08
CN	A	101406052	2009-04-08
CN		101406052B	2011-12-21
CN	B	101406052	2011-12-21
CN	A	101406053	2009-04-08
CN		101406053B	2011-04-20
CN	B	101406053	2011-04-20
CN	A	101406054	2009-04-08
CN	A	101479785	2009-07-08
CN	A	101479786	2009-07-08
CN	A	101479787	2009-07-08
CN	A	101484935	2009-07-15

INTERNATIONAL SEARCH REPORT
Information on patent family members

International application No.

PCT / KR 2009/002272

CN	A	101490744	2009-07-22
CN	A	101490745	2009-07-22
CN	A	101542595	2009-09-23
CN	A	101542596	2009-09-23
CN	A	101542597	2009-09-23
CN	A	101627282	2010-01-13
CN	A	101944964	2011-01-12
DE		602006009506D	2009-11-12
DE	D1	602006009506	2009-11-12
DE		602006009507D	2009-11-12
DE	D1	602006009507	2009-11-12
DE		602006010998D	2010-01-21
DE	D1	602006010998	2010-01-21
DE		602006010999D	2010-01-21
DE	D1	602006010999	2010-01-21
DE		602006011479D	2010-02-11
DE	D1	602006011479	2010-02-11
DE		602006011746D	2010-03-04
DE	D1	602006011746	2010-03-04
DE		602006011757D	2010-03-04
DE	D1	602006011757	2010-03-04
DE		602006012656D	2010-04-15
DE	D1	602006012656	2010-04-15
DE		602006012663D	2010-04-15
DE	D1	602006012663	2010-04-15
DE		602006013123D	2010-05-06
DE	D1	602006013123	2010-05-06
DE		602006015377D	2010-08-19
DE	D1	602006015377	2010-08-19
DE		602006015728D	2010-09-02
DE	D1	602006015728	2010-09-02
DE		602006016025D	2010-09-16
DE	D1	602006016025	2010-09-16
DE		602006016352D	2010-09-30
DE	D1	602006016352	2010-09-30
DE		602006016353D	2010-09-30
DE	D1	602006016353	2010-09-30
DE		602006016507D	2010-10-07
DE	D1	602006016507	2010-10-07
DE		602006016508D	2010-10-07
DE	D1	602006016508	2010-10-07
DE		602007007292D	2010-08-05
DE	D1	602007007292	2010-08-05
DE		602007008693D	2010-10-07
DE	D1	602007008693	2010-10-07
DE		602007008834D	2010-10-14
DE	D1	602007008834	2010-10-14
DE		602007012840D	2011-04-14
DE	D1	602007012840	2011-04-14
DE		602007013540D	2011-05-12
DE	D1	602007013540	2011-05-12
DE		602007014023D	2011-06-01
DE	D1	602007014023	2011-06-01
EP	A1	1882245	2008-01-30
EP	A4	1882245	2008-08-27
EP	B1	1882245	2010-03-03
EP	A1	1886292	2008-02-13
EP	A4	1886292	2008-08-27
EP	B1	1886292	2009-09-30
EP	A1	1886293	2008-02-13
EP	A4	1886293	2008-11-12
EP	B1	1886293	2009-09-30
EP	A1	1886294	2008-02-13
EP	A4	1886294	2008-10-29
EP	B1	1886294	2009-12-09
EP	A1	1886295	2008-02-13
EP	A4	1886295	2008-07-30
EP	B1	1886295	2010-03-03

INTERNATIONAL SEARCH REPORT
Information on patent family members

International application No.

PCT / KR 2009/002272

EP	A1	1886296	2008-02-13
EP	A4	1886296	2008-09-10
EP	B1	1886296	2009-12-09
EP	A1	1886466	2008-02-13
EP	A4	1886466	2008-11-05
EP	B1	1886466	2010-03-24
EP	A1	1902438	2008-03-26
EP	A4	1902438	2008-10-29
EP	B1	1902438	2010-01-13
EP	A2	1908057	2008-04-09
EP	A2	1912359	2008-04-16
EP	A3	1912359	2011-08-24
EP	A2	1913576	2008-04-23
EP	A1	1913577	2008-04-23
EP	A1	1913578	2008-04-23
EP	A1	1920635	2008-05-14
EP	B1	1920635	2010-01-13
EP	A1	1920636	2008-05-14
EP	B1	1920636	2009-12-30
EP	A1	1922721	2008-05-21
EP	A4	1922721	2011-04-13
EP	A1	1922722	2008-05-21
EP	A4	1922722	2011-03-30
EP	A1	1931958	2008-06-18
EP	A4	1931958	2009-08-19
EP	A1	1932147	2008-06-18
EP	A4	1932147	2011-03-30
EP	A1	1938311	2008-07-02
EP	A1	1938662	2008-07-02
EP	A4	1938662	2010-11-17
EP	A1	1938663	2008-07-02
EP	A4	1938663	2010-11-17
EP	A1	1941497	2008-07-09
EP	A1	1941499	2008-07-09
EP	A4	1941499	2009-08-19
EP	A1	1946062	2008-07-23
EP	A4	1946062	2009-09-09
EP	A1	1946063	2008-07-23
EP	A4	1946063	2009-08-12
EP	A2	1946294	2008-07-23
EP	A1	1946298	2008-07-23
EP	A4	1946298	2009-04-22
EP	A1	1946299	2008-07-23
EP	A4	1946299	2009-12-02
EP	A1	1946300	2008-07-23
EP	A4	1946300	2009-04-22
EP	A1	1946301	2008-07-23
EP	A4	1946301	2009-11-25
EP	A1	1946302	2008-07-23
EP	A4	1946302	2009-08-19
EP	A1	1946303	2008-07-23
EP	A4	1946303	2009-08-19
EP	A1	1946304	2008-07-23
EP	A4	1946304	2009-07-22
EP	A1	1946305	2008-07-23
EP	A4	1946305	2009-08-19
EP	A1	1946306	2008-07-23
EP	A4	1946306	2009-08-19
EP	A1	1946307	2008-07-23
EP	A4	1946307	2010-01-06
EP	A1	1946308	2008-07-23
EP	A4	1946308	2010-01-06
EP	A1	1946309	2008-07-23
EP	A4	1946309	2010-01-06
EP	A1	1946555	2008-07-23
EP	A4	1946555	2009-12-30
EP	A1	1946556	2008-07-23
EP	A4	1946556	2009-12-30

INTERNATIONAL SEARCH REPORT
Information on patent family members

International application No.

PCT / KR 2009/002272

EP	A1	1949061	2008-07-30
EP	A4	1949061	2009-11-25
EP	A1	1949062	2008-07-30
EP	A4	1949062	2009-09-23
EP	A1	1949063	2008-07-30
EP	A4	1949063	2009-09-23
EP	A1	1949366	2008-07-30
EP	A4	1949366	2010-01-13
EP	A1	1949367	2008-07-30
EP	A4	1949367	2009-08-26
EP	A1	1949368	2008-07-30
EP	A4	1949368	2009-05-27
EP	A1	1949698	2008-07-30
EP	A4	1949698	2009-12-30
EP	A1	1949759	2008-07-30
EP	A4	1949759	2010-11-17
EP	A1	1952112	2008-08-06
EP	A4	1952112	2010-01-13
EP	A1	1952113	2008-08-06
EP	A4	1952113	2009-05-27
EP	A1	1952114	2008-08-06
EP	A4	1952114	2009-08-12
EP	A1	1952670	2008-08-06
EP	A1	1952671	2008-08-06
EP	A4	1952671	2010-09-22
EP	A2	1952672	2008-08-06
EP	A4	1952672	2010-09-29
EP	A1	1952673	2008-08-06
EP	A1	1952674	2008-08-06
EP	A4	1952674	2010-09-29
EP	A1	1952675	2008-08-06
EP	A4	1952675	2010-09-29
EP	A2	1974182	2008-10-01
EP	A4	1974182	2011-11-16
EP	A1	1977601	2008-10-08
EP	A4	1977601	2010-03-10
EP	A1	1979884	2008-10-15
EP	A4	1979884	2009-11-11
EP	B1	1979884	2010-06-23
EP	A1	1979885	2008-10-15
EP	A4	1979885	2009-10-21
EP	B1	1979885	2010-09-01
EP	A1	1982326	2008-10-22
EP	A4	1982326	2010-05-19
EP	A1	1982327	2008-10-22
EP	A4	1982327	2010-05-05
EP	A1	1984912	2008-10-29
EP	A4	1984912	2010-06-09
EP	A1	1984913	2008-10-29
EP	A4	1984913	2011-01-12
EP	A1	1984914	2008-10-29
EP	A4	1984914	2010-06-23
EP	A1	1984915	2008-10-29
EP	A4	1984915	2010-06-09
EP	A1	1984916	2008-10-29
EP	A4	1984916	2010-09-29
EP	A1	1987512	2008-11-05
EP	A4	1987512	2010-05-19
EP	A1	1987594	2008-11-05
EP	A4	1987594	2010-03-31
EP	A1	1987595	2008-11-05
EP	A4	1987595	2010-03-03
EP	A1	1987596	2008-11-05
EP	A4	1987596	2010-03-10
EP	A1	1987597	2008-11-05
EP	A4	1987597	2010-03-17
EP	A1	1992163	2008-11-19
EP	A4	1992163	2009-12-09

INTERNATIONAL SEARCH REPORT
Information on patent family members

International application No.

PCT / KR 2009/002272

EP	B1	1992163	2011-03-02
EP	A1	1992164	2008-11-19
EP	A4	1992164	2009-12-16
EP	B1	1992164	2010-08-25
EP	A1	1997310	2008-12-03
EP	A4	1997310	2012-01-11
EP	A1	1997311	2008-12-03
EP	A4	1997311	2012-01-11
EP	A1	1999954	2008-12-10
EP	A4	1999954	2012-01-11
EP	A1	1999955	2008-12-10
EP	A4	1999955	2010-06-02
EP	B1	1999955	2011-04-20
EP	A1	1999956	2008-12-10
EP	A4	1999956	2009-12-16
EP	B1	1999956	2011-03-30
EP	A1	2070080	2009-06-17
EP	A4	2070080	2009-10-14
EP	A1	2070081	2009-06-17
EP	A4	2070081	2009-09-30
EP	A1	2071563	2009-06-17
EP	A4	2071563	2009-09-02
EP	A1	2071564	2009-06-17
EP	A4	2071564	2009-09-02
EP	A1	2095364	2009-09-02
EP	A4	2095364	2010-04-28
EP	A1	2095365	2009-09-02
EP	A4	2095365	2009-11-18
EP	A1	2105901	2009-09-30
EP	B1	2105901	2010-07-07
EP	A1	2107541	2009-10-07
EP	B1	2107541	2010-07-21
EP	A1	2111616	2009-10-28
EP	A4	2111616	2010-05-26
EP	B1	2111616	2011-09-28
EP	A1	2111617	2009-10-28
EP	A4	2111617	2010-01-20
EP	A1	2115739	2009-11-11
EP	A4	2115739	2010-01-20
EP	A1	2124210	2009-11-25
EP	B1	2124210	2010-08-25
EP	A1	2124211	2009-11-25
EP	B1	2124211	2010-08-18
EP	A1	2128839	2009-12-02
EP	B1	2128839	2010-08-25
EP	A1	2128840	2009-12-02
EP	A1	2131340	2009-12-09
EP	B1	2131340	2010-08-18
EP	A2	2131356	2009-12-09
EP	A3	2131356	2010-01-06
EP	A1	2133850	2009-12-16
EP	B1	2133850	2010-08-04
EP	A2	2216762	2010-08-11
EP	A3	2216762	2010-10-06
EP	B1	2216762	2011-05-11
EP	A2	2216763	2010-08-11
EP	A3	2216763	2010-10-06
EP	B1	2216763	2011-12-28
EP	A2	2219167	2010-08-18
EP	A3	2219167	2010-09-29
EP	B1	2219167	2012-01-04
EP	A2	2221792	2010-08-25
EP	A3	2221792	2010-10-06
EP	B1	2221792	2012-02-08
JP	A	2009506707	2009-02-12
JP		4568363B2	2010-10-27
JP	B2	4568363	2010-10-27
JP		4787362B2	2011-10-05

INTERNATIONAL SEARCH REPORT
Information on patent family members

International application No.

PCT / KR 2009/002272

JP	B2	4787362	2011-10-05
JP		4859925B2	2012-01-25
JP	B2	4859925	2012-01-25
JP	A	2009500656	2009-01-08
JP	A	2009500657	2009-01-08
JP	A	2009500658	2009-01-08
JP	A	2009500659	2009-01-08
JP	A	2009506371	2009-02-12
JP	A	2009506372	2009-02-12
JP	A	2009506373	2009-02-12
JP	A	2009506374	2009-02-12
JP	A	2009506375	2009-02-12
JP	A	2009506376	2009-02-12
JP	A	2009506377	2009-02-12
JP	A	2009506378	2009-02-12
JP	A	2009506706	2009-02-12
JP	A	2009511943	2009-03-19
JP	A	2009511944	2009-03-19
JP	A	2009511945	2009-03-19
JP	A	2009511946	2009-03-19
JP	A	2009511947	2009-03-19
JP	A	2009511948	2009-03-19
JP	A	2009511949	2009-03-19
JP	A	2009511950	2009-03-19
JP	A	2009511951	2009-03-19
JP	A	2009511952	2009-03-19
JP	A	2009512271	2009-03-19
JP	A	2009512899	2009-03-26
JP	A	2009512900	2009-03-26
JP	A	2009512901	2009-03-26
JP	A	2009512902	2009-03-26
JP	A	2009513084	2009-03-26
JP	A	2009513085	2009-03-26
JP	A	2009520212	2009-05-21
JP	A	2009520213	2009-05-21
JP	A	2009520382	2009-05-21
JP	A	2009520384	2009-05-21
JP	A	2009521709	2009-06-04
JP	A	2009521710	2009-06-04
JP	A	2009524076	2009-06-25
JP	A	2009524837	2009-07-02
JP	A	2009526258	2009-07-16
JP	A	2009526259	2009-07-16
JP	A	2009526260	2009-07-16
JP	A	2009526261	2009-07-16
JP	A	2009526262	2009-07-16
JP	A	2009526263	2009-07-16
JP	A	2009526264	2009-07-16
JP	A	2009526467	2009-07-16
JP	A	2009527789	2009-07-30
JP	A	2009527790	2009-07-30
JP	A	2009527791	2009-07-30
JP	A	2009527792	2009-07-30
JP	A	2010505140	2010-02-18
JP	A	2010505141	2010-02-18
JP	A	2010505142	2010-02-18
JP	A	2010505328	2010-02-18
JP	A	2010506231	2010-02-25
JP	A	2010506232	2010-02-25
JP	A	2010508545	2010-03-18
JP	A	2010511189	2010-04-08
JP	A	2010511190	2010-04-08
JP	A	2011130470	2011-06-30
JP	A	2011209741	2011-10-20
JP	A	2011209742	2011-10-20
KR	A	20060119673	2006-11-24
KR		100711866B	2007-04-25
KR	B1	100711866	2007-04-25

INTERNATIONAL SEARCH REPORT
Information on patent family members

International application No.

PCT / KR 2009/002272

KR	A	20070061280	2007-06-13
KR		100830472B	2008-05-20
KR	B1	100830472	2008-05-20
KR		100857109B	2008-09-05
KR	B1	100857109	2008-09-05
KR		100857110B	2008-09-05
KR	B1	100857110	2008-09-05
KR		100857111B	2008-09-08
KR	B1	100857111	2008-09-08
KR		100857112B	2008-09-05
KR	B1	100857112	2008-09-05
KR		100857113B	2008-09-08
KR	B1	100857113	2008-09-08
KR		100857114B	2008-09-08
KR	B1	100857114	2008-09-08
KR		100857115B	2008-09-05
KR	B1	100857115	2008-09-05
KR		100857116B	2008-09-08
KR	B1	100857116	2008-09-08
KR		100857117B	2008-09-05
KR	B1	100857117	2008-09-05
KR		100857118B	2008-09-05
KR	B1	100857118	2008-09-05
KR		100857119B	2008-09-05
KR	B1	100857119	2008-09-05
KR		100857120B	2008-09-05
KR	B1	100857120	2008-09-05
KR		100857121B	2008-09-05
KR	B1	100857121	2008-09-05
KR	A	20070080599	2007-08-10
KR		100863479B	2008-10-16
KR	B1	100863479	2008-10-16
KR	A	20070080600	2007-08-10
KR		100863480B	2008-10-16
KR	B1	100863480	2008-10-16
KR	A	20070080592	2007-08-10
KR		100878814B	2009-01-14
KR	B1	100878814	2009-01-14
KR	A	20070080597	2007-08-10
KR		100878815B	2009-01-14
KR	B1	100878815	2009-01-14
KR	A	20070080598	2007-08-10
KR		100878816B	2009-01-14
KR	B1	100878816	2009-01-14
KR		100878828B	2009-01-14
KR	B1	100878828	2009-01-14
KR		100878829B	2009-01-14
KR	B1	100878829	2009-01-14
KR		100878830B	2009-01-14
KR	B1	100878830	2009-01-14
KR		100878831B	2009-01-14
KR	B1	100878831	2009-01-14
KR		100878832B	2009-01-14
KR	B1	100878832	2009-01-14
KR		100878833B	2009-01-14
KR	B1	100878833	2009-01-14
KR		100880642B	2009-01-30
KR	B1	100880642	2009-01-30
KR		100880643B	2009-01-30
KR	B1	100880643	2009-01-30
KR		100880644B	2009-01-30
KR	B1	100880644	2009-01-30
KR		100880645B	2009-01-30
KR	B1	100880645	2009-01-30
KR		100880646B	2009-01-30
KR	B1	100880646	2009-01-30
KR		100880647B	2009-01-30
KR	B1	100880647	2009-01-30

INTERNATIONAL SEARCH REPORT
Information on patent family members

International application No.

PCT / KR 2009/002272

KR		100888971B	2009-03-17
KR	B1	100888971	2009-03-17
KR		100888972B	2009-03-17
KR	B1	100888972	2009-03-17
KR		100888973B	2009-03-17
KR	B1	100888973	2009-03-17
KR		100888974B	2009-03-17
KR	B1	100888974	2009-03-17
KR		100891685B	2009-04-03
KR	B1	100891685	2009-04-03
KR		100891686B	2009-04-03
KR	B1	100891686	2009-04-03
KR		100891687B	2009-04-03
KR	B1	100891687	2009-04-03
KR	A	20070080602	2007-08-10
KR		100897809B	2009-05-15
KR	B1	100897809	2009-05-15
KR	A	20070080595	2007-08-10
KR		100902898B	2009-06-16
KR	B1	100902898	2009-06-16
KR	A	20070080596	2007-08-10
KR		100902899B	2009-06-15
KR	B1	100902899	2009-06-15
KR		100904436B	2009-06-24
KR	B1	100904436	2009-06-24
KR		100904437B	2009-06-24
KR	B1	100904437	2009-06-24
KR		100904438B	2009-06-24
KR	B1	100904438	2009-06-24
KR		100904439B	2009-06-26
KR	B1	100904439	2009-06-26
KR	A	20070080594	2007-08-10
KR		100913091B	2009-08-19
KR	B1	100913091	2009-08-19
KR	A	20070080593	2007-08-10
KR		100921453B	2009-10-13
KR	B1	100921453	2009-10-13
KR		100972064B	2010-07-22
KR	B1	100972064	2010-07-22
KR		100983286B	2010-09-24
KR	B1	100983286	2010-09-24
KR		100987457B	2010-10-13
KR	B1	100987457	2010-10-13
KR		100991795B	2010-11-04
KR	B1	100991795	2010-11-04
KR		101014729B	2011-02-16
KR	B1	101014729	2011-02-16
KR		101041825B	2011-06-17
KR	B1	101041825	2011-06-17
KR		101065704B	2011-09-19
KR	B1	101065704	2011-09-19
KR	A	20060119674	2006-11-24
KR	A	20060119680	2006-11-24
KR	A	20060119739	2006-11-24
KR	A	20060119741	2006-11-24
KR	A	20060119742	2006-11-24
KR	A	20060119743	2006-11-24
KR	A	20060119746	2006-11-24
KR	A	20070003543	2007-01-05
KR	A	20070003544	2007-01-05
KR	A	20070003545	2007-01-05
KR	A	20070003546	2007-01-05
KR	A	20070003547	2007-01-05
KR	A	20070003574	2007-01-05
KR	A	20070003593	2007-01-05
KR	A	20070003594	2007-01-05
KR	A	20070005468	2007-01-10
KR	A	20070005469	2007-01-10

INTERNATIONAL SEARCH REPORT
Information on patent family members

International application No.

PCT / KR 2009/002272

KR	A	20070005477	2007-01-10
KR	A	20070006532	2007-01-11
KR	A	20070025903	2007-03-08
KR	A	20070025904	2007-03-08
KR	A	20070025905	2007-03-08
KR	A	20070025906	2007-03-08
KR	A	20070025907	2007-03-08
KR	A	20070037974	2007-04-09
KR	A	20070037983	2007-04-09
KR	A	20070037984	2007-04-09
KR	A	20070037985	2007-04-09
KR	A	20070037986	2007-04-09
KR	A	20070037987	2007-04-09
KR	A	20070038020	2007-04-09
KR	A	20070038383	2007-04-10
KR	A	20070038439	2007-04-10
KR	A	20070038440	2007-04-10
KR	A	20070038441	2007-04-10
KR	A	20070041336	2007-04-18
KR	A	20070041338	2007-04-18
KR	A	20070041398	2007-04-18
KR	A	20070066986	2007-06-27
KR	A	20070068960	2007-07-02
KR	A	20070069884	2007-07-03
KR	A	20070074442	2007-07-12
KR	A	20070074754	2007-07-18
KR	A	20070075237	2007-07-18
KR	A	20070075549	2007-07-24
KR	A	20070076363	2007-07-24
KR	A	20070076954	2007-07-25
KR	A	20070077020	2007-07-25
KR	A	20070077033	2007-07-25
KR	A	20070077034	2007-07-25
KR	A	20070077035	2007-07-25
KR	A	20070077036	2007-07-25
KR	A	20070077037	2007-07-25
KR	A	20070077038	2007-07-25
KR	A	20070077039	2007-07-25
KR	A	20070077040	2007-07-25
KR	A	20070077041	2007-07-25
KR	A	20070078012	2007-07-30
KR	A	20070078657	2007-08-01
KR	A	20070080601	2007-08-10
WO	A1	2007145410	2007-12-21
AU	A1	2006266579	2007-01-11
AU	B2	2006266579	2009-10-22
AU	A1	2006266655	2007-01-11
AU	B2	2006266655	2009-08-20
AU	A1	2006285538	2007-03-08
AU	B2	2006285538	2011-03-24
AU	A1	2006285544	2007-03-08
AU	B2	2006285544	2012-01-12
AU	A1	2006297950	2007-04-12
AU	B2	2006297950	2009-10-08
AU	A1	2006300101	2007-04-19
AU	B2	2006300101	2010-09-16
AU	A1	2006300102	2007-04-19
AU	B2	2006300102	2010-09-16
AU	A1	2006300103	2007-04-19
AU	B2	2006300103	2010-09-09
AU	A1	2006306942	2007-05-03
AU	B2	2006306942	2010-02-18
AU	A1	2007207952	2007-08-02
AU	B2	2007207952	2009-12-10
AU	A1	2007212845	2007-08-16
AU	B2	2007212845	2010-01-28
AU	A1	2007212873	2007-08-16

INTERNATIONAL SEARCH REPORT
Information on patent family members

International application No.

PCT / KR 2009/002272

AU	B2	2007212873	2010-02-25
AU	A1	2007218453	2007-08-30
AU	B2	2007218453	2010-09-02
AU	A1	2007300810	2008-04-03
AU	B2	2007300810	2010-06-17
AU	A1	2007300812	2008-04-03
AU	B2	2007300812	2010-06-10
AU	A1	2007300813	2008-04-03
AU	B2	2007300813	2010-10-14
AU	A1	2007300814	2008-04-03
AU	B2	2007300814	2010-05-13
AU	A1	2007322487	2008-05-29
AU	B2	2007322487	2010-12-16
AU	A1	2007322488	2008-05-29
AU	B2	2007322488	2010-04-29
AU	A1	2008215230	2008-08-21
AU	B2	2008215230	2010-03-04
AU	A1	2008215231	2008-08-21
AU	B2	2008215231	2010-02-18
AU	A1	2008215232	2008-08-21
AU	B2	2008215232	2010-02-25
BR	A	PI0604391	2007-08-28
BR	A2	PI0606970	2009-07-28
BR	A2	PI0610712	2010-07-20
BR	A2	PI0610713	2010-07-20
BR	A2	PI0610738	2010-07-20
BR	A2	PI0610740	2011-09-27
BR	A2	PI0610741	2010-07-20
BR	A2	PI0610743	2010-07-20
BR	A2	PI0612689	2010-11-30
BR	A2	PI0613076	2010-12-21
BR	A2	PI0613099	2010-12-21
BR	A2	PI0615114	2011-05-03
BR	A2	PI0615317	2011-05-17
BR	A2	PI0616611	2011-06-28
BR	A2	PI0616859	2011-07-05
BR	A2	PI0616941	2011-07-05
BR	A2	PI0616945	2011-07-05
BR	A2	PI0617779	2011-08-09
BR	A	PI0702851	2008-04-01
BR	A2	PI0706488	2011-03-29
BR	A2	PI0707498	2011-05-10
BR	A2	PI0708047	2011-05-17
BR	A2	PI0710923	2011-05-31
BR	A2	PI0710935	2012-02-14
BR	A2	PI0711094	2011-08-23
BR	A2	PI0711102	2011-08-23
BR	A2	PI0711104	2011-08-23
BR	A2	PI0711185	2011-08-23
BR	A2	PI0802611	2011-08-30
BR	A2	PI0802613	2011-08-30
BR	A2	PI0802614	2011-08-30
CA	A1	2559606	2007-04-05
CA	A1	2562194	2007-04-05
CA	C	2562194	2012-02-21
CA	A1	2562202	2007-04-05
CA	A1	2562206	2007-04-05
CA	A1	2562209	2007-04-05
CA	C	2562209	2011-11-22
CA	A1	2562212	2007-04-05
CA	A1	2562220	2007-04-05
CA	A1	2562225	2007-04-05
CA	A1	2562427	2007-04-05
CA	A1	2562544	2007-04-05
CA	A1	2596048	2006-11-23
CA	C	2596048	2011-02-08
CA	A1	2600304	2007-07-26
CA	C	2600304	2011-01-04

INTERNATIONAL SEARCH REPORT
Information on patent family members

International application No.

PCT / KR 2009/002272

CA	A1	2608698	2006-11-23
CA	A1	2608700	2006-11-23
CA	C	2608700	2011-11-15
CA	A1	2608701	2006-11-23
CA	A1	2608703	2006-11-23
CA	A1	2608710	2006-11-23
CA	A1	2609189	2006-11-23
CA	A1	2613731	2007-01-11
CA	A1	2613885	2007-01-11
CA	A1	2620030	2007-03-08
CA	C	2620030	2011-08-23
CA	A1	2620627	2007-03-08
CA	C	2620627	2011-03-15
CA	A1	2624633	2007-04-12
CA	C	2624633	2012-01-10
CA	A1	2626132	2007-05-03
CA	A1	2636330	2007-08-30
CA	A1	2637722	2007-08-16
CA	A1	2645863	2008-05-29
CA	A1	2645908	2008-04-03
CA	A1	2645909	2008-04-03
CA	A1	2645910	2008-04-03
CA	A1	2645911	2008-05-29
CA	A1	2645912	2008-08-21
CA	A1	2645913	2008-08-21
CA	A1	2645915	2008-08-21
CA	A1	2646045	2008-04-03
CA	A1	2646278	2007-08-16
CA	A1	2655302	2007-12-21
CA	A1	2656881	2008-01-17
CA	A1	2656976	2008-01-10
CA	A1	2661829	2008-03-20
CN	A	1946191	2007-04-11
CN	B	1946191	2010-10-27
CN	A	1953358	2007-04-25
CN	A	1980138	2007-06-13
CN	B	1980138	2010-09-01
CN	A	1992566	2007-07-04
CN	A	1992567	2007-07-04
CN	A	1992568	2007-07-04
CN	A	1992569	2007-07-04
CN	A	1992570	2007-07-04
CN	B	1992570	2011-05-11
CN	A	1992905	2007-07-04
CN	A	101228565	2008-07-23
CN	A	101176132	2008-05-07
CN	A	101218615	2008-07-09
CN	A	101185107	2008-05-21
CN	A	101009525	2007-08-01
CN	B	101009525	2012-01-25
CN	A	101128858	2008-02-20
CN	B	101128858	2011-04-06
CN	A	101175082	2008-05-07
CN	A	101194485	2008-06-04
CN	A	101228566	2008-07-23
CN	B	101228566	2010-05-19
CN	A	101243488	2008-08-13
CN	A	101243490	2008-08-13
CN	A	101243491	2008-08-13
CN	A	101248484	2008-08-20
CN	A	101253551	2008-08-27
CN	A	101253552	2008-08-27
CN	A	101253553	2008-08-27
CN	A	101253554	2008-08-27
CN	B	101253554	2011-12-07
CN	A	101253806	2008-08-27
CN	A	101253807	2008-08-27
CN	A	101253808	2008-08-27

INTERNATIONAL SEARCH REPORT
Information on patent family members

International application No.

PCT / KR 2009/002272

CN	A	101253809	2008-08-27
CN	B	101253809	2011-12-28
CN	A	101253810	2008-08-27
CN	B	101253810	2011-12-14
CN	A	101258532	2008-09-03
CN	A	101283248	2008-10-08
CN	A	101283249	2008-10-08
CN	A	101283250	2008-10-08
CN	A	101283251	2008-10-08
CN	A	101283252	2008-10-08
CN	A	101283253	2008-10-08
CN	A	101283254	2008-10-08
CN	B	101283254	2011-07-06
CN	A	101283255	2008-10-08
CN	A	101283256	2008-10-08
CN	A	101283397	2008-10-08
CN	A	101283398	2008-10-08
CN	A	101283399	2008-10-08
CN	A	101283400	2008-10-08
CN	A	101283401	2008-10-08
CN	A	101283402	2008-10-08
CN	A	101283403	2008-10-08
CN	A	101283404	2008-10-08
CN	A	101283405	2008-10-08
CN	A	101283406	2008-10-08
CN	A	101288115	2008-10-15
CN	A	101288116	2008-10-15
CN	A	101297352	2008-10-29
CN	A	101297594	2008-10-29
CN	A	101297595	2008-10-29
CN	A	101297596	2008-10-29
CN	A	101297597	2008-10-29
CN	A	101297598	2008-10-29
CN	B	101297598	2011-08-17
CN	A	101297599	2008-10-29
CN	A	101310328	2008-11-19
CN	A	101317214	2008-12-03
CN	A	101317215	2008-12-03
CN	A	101317216	2008-12-03
CN	A	101361274	2009-02-04
CN	A	101361275	2009-02-04
CN	A	101361276	2009-02-04
CN	A	101361277	2009-02-04
CN	A	101375601	2009-02-25
CN	A	101379552	2009-03-04
CN	A	101379553	2009-03-04
CN	B	101379553	2012-02-29
CN	A	101379554	2009-03-04
CN	A	101379555	2009-03-04
CN	A	101385075	2009-03-11
CN	A	101385076	2009-03-11
CN	A	101385077	2009-03-11
CN	A	101385078	2009-03-11
CN	A	101401136	2009-04-01
CN	B	101401136	2010-06-23
CN	A	101405782	2009-04-08
CN	B	101405782	2010-08-04
CN	A	101406048	2009-04-08
CN	A	101406049	2009-04-08
CN	A	101406050	2009-04-08
CN	A	101406051	2009-04-08
CN	A	101406052	2009-04-08
CN	B	101406052	2011-12-21
CN	A	101406053	2009-04-08
CN	B	101406053	2011-04-20
CN	A	101406054	2009-04-08
CN	A	101479785	2009-07-08
CN	A	101479786	2009-07-08

INTERNATIONAL SEARCH REPORT
Information on patent family members

International application No.

PCT / KR 2009/002272

CN	A	101479787	2009-07-08
CN	A	101484935	2009-07-15
CN	A	101490744	2009-07-22
CN	A	101490745	2009-07-22
CN	A	101542595	2009-09-23
CN	A	101542596	2009-09-23
CN	A	101542597	2009-09-23
CN	A	101627282	2010-01-13
CN	A	101944964	2011-01-12
EP	A1	1882245	2008-01-30
EP	A4	1882245	2008-08-27
EP	B1	1882245	2010-03-03
EP	A1	1886292	2008-02-13
EP	A4	1886292	2008-08-27
EP	B1	1886292	2009-09-30
EP	A1	1886293	2008-02-13
EP	A4	1886293	2008-11-12
EP	B1	1886293	2009-09-30
EP	A1	1886294	2008-02-13
EP	A4	1886294	2008-10-29
EP	B1	1886294	2009-12-09
EP	A1	1886295	2008-02-13
EP	A4	1886295	2008-07-30
EP	B1	1886295	2010-03-03
EP	A1	1886296	2008-02-13
EP	A4	1886296	2008-09-10
EP	B1	1886296	2009-12-09
EP	A1	1886466	2008-02-13
EP	A4	1886466	2008-11-05
EP	B1	1886466	2010-03-24
EP	A1	1902438	2008-03-26
EP	A4	1902438	2008-10-29
EP	B1	1902438	2010-01-13
EP	A2	1908057	2008-04-09
EP	A2	1912359	2008-04-16
EP	A3	1912359	2011-08-24
EP	A2	1913576	2008-04-23
EP	A1	1913577	2008-04-23
EP	A1	1913578	2008-04-23
EP	A1	1920635	2008-05-14
EP	B1	1920635	2010-01-13
EP	A1	1920636	2008-05-14
EP	B1	1920636	2009-12-30
EP	A1	1922721	2008-05-21
EP	A4	1922721	2011-04-13
EP	A1	1922722	2008-05-21
EP	A4	1922722	2011-03-30
EP	A1	1931958	2008-06-18
EP	A4	1931958	2009-08-19
EP	A1	1932147	2008-06-18
EP	A4	1932147	2011-03-30
EP	A1	1938311	2008-07-02
EP	A1	1938662	2008-07-02
EP	A4	1938662	2010-11-17
EP	A1	1938663	2008-07-02
EP	A4	1938663	2010-11-17
EP	A1	1941497	2008-07-09
EP	A1	1941499	2008-07-09
EP	A4	1941499	2009-08-19
EP	A1	1946062	2008-07-23
EP	A4	1946062	2009-09-09
EP	A1	1946063	2008-07-23
EP	A4	1946063	2009-08-12
EP	A2	1946294	2008-07-23
EP	A1	1946298	2008-07-23
EP	A4	1946298	2009-04-22
EP	A1	1946299	2008-07-23
EP	A4	1946299	2009-12-02

INTERNATIONAL SEARCH REPORT
Information on patent family members

International application No.

PCT / KR 2009/002272

EP	A1	1946300	2008-07-23
EP	A4	1946300	2009-04-22
EP	A1	1946301	2008-07-23
EP	A4	1946301	2009-11-25
EP	A1	1946302	2008-07-23
EP	A4	1946302	2009-08-19
EP	A1	1946303	2008-07-23
EP	A4	1946303	2009-08-19
EP	A1	1946304	2008-07-23
EP	A4	1946304	2009-07-22
EP	A1	1946305	2008-07-23
EP	A4	1946305	2009-08-19
EP	A1	1946306	2008-07-23
EP	A4	1946306	2009-08-19
EP	A1	1946307	2008-07-23
EP	A4	1946307	2010-01-06
EP	A1	1946308	2008-07-23
EP	A4	1946308	2010-01-06
EP	A1	1946309	2008-07-23
EP	A4	1946309	2010-01-06
EP	A1	1946555	2008-07-23
EP	A4	1946555	2009-12-30
EP	A1	1946556	2008-07-23
EP	A4	1946556	2009-12-30
EP	A1	1949061	2008-07-30
EP	A4	1949061	2009-11-25
EP	A1	1949062	2008-07-30
EP	A4	1949062	2009-09-23
EP	A1	1949063	2008-07-30
EP	A4	1949063	2009-09-23
EP	A1	1949366	2008-07-30
EP	A4	1949366	2010-01-13
EP	A1	1949367	2008-07-30
EP	A4	1949367	2009-08-26
EP	A1	1949368	2008-07-30
EP	A4	1949368	2009-05-27
EP	A1	1949698	2008-07-30
EP	A4	1949698	2009-12-30
EP	A1	1949759	2008-07-30
EP	A4	1949759	2010-11-17
EP	A1	1952112	2008-08-06
EP	A4	1952112	2010-01-13
EP	A1	1952113	2008-08-06
EP	A4	1952113	2009-05-27
EP	A1	1952114	2008-08-06
EP	A4	1952114	2009-08-12
EP	A1	1952670	2008-08-06
EP	A1	1952671	2008-08-06
EP	A4	1952671	2010-09-22
EP	A2	1952672	2008-08-06
EP	A4	1952672	2010-09-29
EP	A1	1952673	2008-08-06
EP	A1	1952674	2008-08-06
EP	A4	1952674	2010-09-29
EP	A1	1952675	2008-08-06
EP	A4	1952675	2010-09-29
EP	A2	1974182	2008-10-01
EP	A4	1974182	2011-11-16
EP	A1	1977601	2008-10-08
EP	A4	1977601	2010-03-10
EP	A1	1979884	2008-10-15
EP	A4	1979884	2009-11-11
EP	B1	1979884	2010-06-23
EP	A1	1979885	2008-10-15
EP	A4	1979885	2009-10-21
EP	B1	1979885	2010-09-01
EP	A1	1982326	2008-10-22
EP	A4	1982326	2010-05-19

INTERNATIONAL SEARCH REPORT
Information on patent family members

International application No.

PCT / KR 2009/002272

EP	A1	1982327	2008-10-22
EP	A4	1982327	2010-05-05
EP	A1	1984912	2008-10-29
EP	A4	1984912	2010-06-09
EP	A1	1984913	2008-10-29
EP	A4	1984913	2011-01-12
EP	A1	1984914	2008-10-29
EP	A4	1984914	2010-06-23
EP	A1	1984915	2008-10-29
EP	A4	1984915	2010-06-09
EP	A1	1984916	2008-10-29
EP	A4	1984916	2010-09-29
EP	A1	1987512	2008-11-05
EP	A4	1987512	2010-05-19
EP	A1	1987594	2008-11-05
EP	A4	1987594	2010-03-31
EP	A1	1987595	2008-11-05
EP	A4	1987595	2010-03-03
EP	A1	1987596	2008-11-05
EP	A4	1987596	2010-03-10
EP	A1	1987597	2008-11-05
EP	A4	1987597	2010-03-17
EP	A1	1992163	2008-11-19
EP	A4	1992163	2009-12-09
EP	B1	1992163	2011-03-02
EP	A1	1992164	2008-11-19
EP	A4	1992164	2009-12-16
EP	B1	1992164	2010-08-25
EP	A1	1997310	2008-12-03
EP	A4	1997310	2012-01-11
EP	A1	1997311	2008-12-03
EP	A4	1997311	2012-01-11
EP	A1	1999954	2008-12-10
EP	A4	1999954	2012-01-11
EP	A1	1999955	2008-12-10
EP	A4	1999955	2010-06-02
EP	B1	1999955	2011-04-20
EP	A1	1999956	2008-12-10
EP	A4	1999956	2009-12-16
EP	B1	1999956	2011-03-30
EP	A1	2070080	2009-06-17
EP	A4	2070080	2009-10-14
EP	A1	2070081	2009-06-17
EP	A4	2070081	2009-09-30
EP	A1	2071563	2009-06-17
EP	A4	2071563	2009-09-02
EP	A1	2071564	2009-06-17
EP	A4	2071564	2009-09-02
EP	A1	2095364	2009-09-02
EP	A4	2095364	2010-04-28
EP	A1	2095365	2009-09-02
EP	A4	2095365	2009-11-18
EP	A1	2105901	2009-09-30
EP	B1	2105901	2010-07-07
EP	A1	2107541	2009-10-07
EP	B1	2107541	2010-07-21
EP	A1	2111616	2009-10-28
EP	A4	2111616	2010-05-26
EP	B1	2111616	2011-09-28
EP	A1	2111617	2009-10-28
EP	A4	2111617	2010-01-20
EP	A1	2115739	2009-11-11
EP	A4	2115739	2010-01-20
EP	A1	2124210	2009-11-25
EP	B1	2124210	2010-08-25
EP	A1	2124211	2009-11-25
EP	B1	2124211	2010-08-18
EP	A1	2128839	2009-12-02

INTERNATIONAL SEARCH REPORT
Information on patent family members

International application No.

PCT / KR 2009/002272

EP	B1	2128839	2010-08-25
EP	A1	2128840	2009-12-02
EP	A1	2131340	2009-12-09
EP	B1	2131340	2010-08-18
EP	A2	2131356	2009-12-09
EP	A3	2131356	2010-01-06
EP	A1	2133850	2009-12-16
EP	B1	2133850	2010-08-04
EP	A2	2216762	2010-08-11
EP	A3	2216762	2010-10-06
EP	B1	2216762	2011-05-11
EP	A2	2216763	2010-08-11
EP	A3	2216763	2010-10-06
EP	B1	2216763	2011-12-28
EP	A2	2219167	2010-08-18
EP	A3	2219167	2010-09-29
EP	B1	2219167	2012-01-04
EP	A2	2221792	2010-08-25
EP	A3	2221792	2010-10-06
EP	B1	2221792	2012-02-08
JP	A	2009506707	2009-02-12
JP	A	2009500656	2009-01-08
JP	A	2009500657	2009-01-08
JP	A	2009500658	2009-01-08
JP	A	2009500659	2009-01-08
JP	A	2009506371	2009-02-12
JP	A	2009506372	2009-02-12
JP	A	2009506373	2009-02-12
JP	A	2009506374	2009-02-12
JP	A	2009506375	2009-02-12
JP	A	2009506376	2009-02-12
JP	A	2009506377	2009-02-12
JP	A	2009506378	2009-02-12
JP	A	2009506706	2009-02-12
JP	A	2009511943	2009-03-19
JP	A	2009511944	2009-03-19
JP	A	2009511945	2009-03-19
JP	A	2009511946	2009-03-19
JP	A	2009511947	2009-03-19
JP	A	2009511948	2009-03-19
JP	A	2009511949	2009-03-19
JP	A	2009511950	2009-03-19
JP	A	2009511951	2009-03-19
JP	A	2009511952	2009-03-19
JP	A	2009512271	2009-03-19
JP	A	2009512899	2009-03-26
JP	A	2009512900	2009-03-26
JP	A	2009512901	2009-03-26
JP	A	2009512902	2009-03-26
JP	A	2009513084	2009-03-26
JP	A	2009513085	2009-03-26
JP	A	2009520212	2009-05-21
JP	A	2009520213	2009-05-21
JP	A	2009520382	2009-05-21
JP	A	2009520384	2009-05-21
JP	A	2009521709	2009-06-04
JP	A	2009521710	2009-06-04
JP	A	2009524076	2009-06-25
JP	A	2009524837	2009-07-02
JP	A	2009526258	2009-07-16
JP	A	2009526259	2009-07-16
JP	A	2009526260	2009-07-16
JP	A	2009526261	2009-07-16
JP	A	2009526262	2009-07-16
JP	A	2009526263	2009-07-16
JP	A	2009526264	2009-07-16
JP	A	2009526467	2009-07-16
JP	A	2009527789	2009-07-30

INTERNATIONAL SEARCH REPORT
Information on patent family members

International application No.

PCT / KR 2009/002272

JP	A	2009527790	2009-07-30
JP	A	2009527791	2009-07-30
JP	A	2009527792	2009-07-30
JP	A	2010505140	2010-02-18
JP	A	2010505141	2010-02-18
JP	A	2010505142	2010-02-18
JP	A	2010505328	2010-02-18
JP	A	2010506231	2010-02-25
JP	A	2010506232	2010-02-25
JP	A	2010508545	2010-03-18
JP	A	2010511189	2010-04-08
JP	A	2010511190	2010-04-08
JP	A	2011130470	2011-06-30
JP	A	2011209741	2011-10-20
JP	A	2011209742	2011-10-20
KR	A	20060119673	2006-11-24
KR	A	20070061280	2007-06-13
KR	A	20070080599	2007-08-10
KR	A	20070080600	2007-08-10
KR	A	20070080592	2007-08-10
KR	A	20070080597	2007-08-10
KR	A	20070080598	2007-08-10
KR	A	20070080602	2007-08-10
KR	A	20070080595	2007-08-10
KR	A	20070080596	2007-08-10
KR	A	20070080594	2007-08-10
KR	A	20070080593	2007-08-10
KR	A	20060119674	2006-11-24
KR	A	20060119680	2006-11-24
KR	A	20060119739	2006-11-24
KR	A	20060119741	2006-11-24
KR	A	20060119742	2006-11-24
KR	A	20060119743	2006-11-24
KR	A	20060119746	2006-11-24
KR	A	20070003543	2007-01-05
KR	A	20070003544	2007-01-05
KR	A	20070003545	2007-01-05
KR	A	20070003546	2007-01-05
KR	A	20070003547	2007-01-05
KR	A	20070003574	2007-01-05
KR	A	20070003593	2007-01-05
KR	A	20070003594	2007-01-05
KR	A	20070005468	2007-01-10
KR	A	20070005469	2007-01-10
KR	A	20070005477	2007-01-10
KR	A	20070006532	2007-01-11
KR	A	20070025903	2007-03-08
KR	A	20070025904	2007-03-08
KR	A	20070025905	2007-03-08
KR	A	20070025906	2007-03-08
KR	A	20070025907	2007-03-08
KR	A	20070037974	2007-04-09
KR	A	20070037983	2007-04-09
KR	A	20070037984	2007-04-09
KR	A	20070037985	2007-04-09
KR	A	20070037986	2007-04-09
KR	A	20070037987	2007-04-09
KR	A	20070038020	2007-04-09
KR	A	20070038383	2007-04-10
KR	A	20070038439	2007-04-10
KR	A	20070038440	2007-04-10
KR	A	20070038441	2007-04-10
KR	A	20070041336	2007-04-18
KR	A	20070041338	2007-04-18
KR	A	20070041398	2007-04-18
KR	A	20070066986	2007-06-27
KR	A	20070068960	2007-07-02
KR	A	20070069884	2007-07-03

INTERNATIONAL SEARCH REPORT
Information on patent family members

International application No.

PCT / KR 2009/002272

KR	A	20070074442	2007-07-12
KR	A	20070074754	2007-07-18
KR	A	20070075237	2007-07-18
KR	A	20070075549	2007-07-24
KR	A	20070076363	2007-07-24
KR	A	20070076954	2007-07-25
KR	A	20070077020	2007-07-25
KR	A	20070077033	2007-07-25
KR	A	20070077034	2007-07-25
KR	A	20070077035	2007-07-25
KR	A	20070077036	2007-07-25
KR	A	20070077037	2007-07-25
KR	A	20070077038	2007-07-25
KR	A	20070077039	2007-07-25
KR	A	20070077040	2007-07-25
KR	A	20070077041	2007-07-25
KR	A	20070078012	2007-07-30
KR	A	20070078657	2007-08-01
KR	A	20070080601	2007-08-10