

Dec. 1, 1936.

F. A. VUILLEMENOT

Des. 102,201

ATOMIZER

Filed Oct. 23, 1936

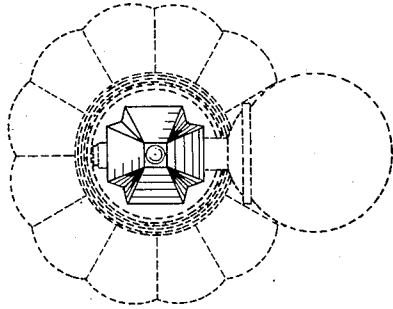


FIG. 2

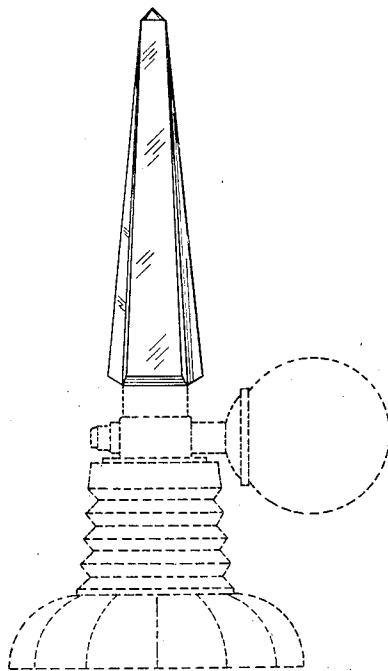


FIG. 1

Inventor:

F. A. Vuilleminot

Patented Dec. 1, 1936

Des. 102,201

UNITED STATES PATENT OFFICE

102,201

DESIGN FOR AN ATOMIZER

Frederic A. Vuillemenot, Toledo, Ohio

Application October 23, 1936, Serial No. 65,458

Term of patent 7 years

To all whom it may concern:

Be it known that I, Frederic A. Vuillemenot, a citizen of the United States and resident of Toledo, in the county of Lucas and State of Ohio, have invented a new, original, and ornamental Design for an Atomizer, of which the following is a specification, reference being had to the accompanying drawing, forming a part thereof.

In the drawing Figure 1 is a side elevational

view of an atomizer showing my new design; Figure 2 is a top plan view thereof.

The essential feature of my new design resides in the portions shown in full lines.

I claim:

The ornamental design for an atomizer, substantially as shown and described.

FREDERIC A. VUILLEMENOT.