



(12) **United States Design Patent**
Zhang

(10) **Patent No.:** **US D1,037,166 S**
(45) **Date of Patent:** **** Jul. 30, 2024**

- (54) **AIR SWITCH POWER MODULE**
- (71) Applicant: **FOSHAN CHENJIU TRADING CO., LTD**, Foshan (CN)
- (72) Inventor: **Yi Zhang**, Gaozhou (CN)
- (73) Assignee: **FOSHAN CHENJIU TRADING CO., LTD**, Foshan (CN)
- (**) Term: **15 Years**
- (21) Appl. No.: **29/843,181**
- (22) Filed: **Jun. 18, 2022**

D860,028	S	*	9/2019	Gan	D10/118
D860,948	S	*	9/2019	Wang	D13/137.2
D861,613	S	*	10/2019	Dai	D13/137.2
D861,614	S	*	10/2019	Xu	D13/137.2
D869,398	S	*	12/2019	Wang	D13/137.3
D903,601	S	*	12/2020	Tseng	D13/137.2
D909,306	S	*	2/2021	Shaopeng	D13/137.2
D909,307	S	*	2/2021	Shaopeng	D13/137.2
D924,805	S	*	7/2021	Luo	D13/137.2
D938,361	S	*	12/2021	Chang	D13/137.2
D955,992	S	*	6/2022	Lin	D13/137.1
D964,937	S	*	9/2022	Liu	D13/137.1
D968,333	S	*	11/2022	Pan	D13/137.3
D973,025	S	*	12/2022	Ke	D13/137.3
D975,641	S	*	1/2023	Wang	D13/110
D975,650	S	*	1/2023	Liu	D13/137.2
D976,834	S	*	1/2023	Duan	D13/137.2
D978,797	S	*	2/2023	Wang	D13/110

(30) **Foreign Application Priority Data**

May 27, 2022 (CN) 202230318302.9

- (51) **LOC (14) CL.** **13-03**
- (52) **U.S. CL.**
USPC **D13/137.3**
- (58) **Field of Classification Search**
USPC ... D13/110, 108, 138.1–138.2, 139.1–139.8,
D13/137.1–137.4, 162; D10/118
CPC H01R 13/70; H01H 83/02
See application file for complete search history.

(56) **References Cited**

U.S. PATENT DOCUMENTS

4,079,344	A	*	3/1978	Lauben	H01H 83/02 361/45
D431,027	S	*	9/2000	Armstrong	D13/162
D734,253	S	*	7/2015	Tinaphong	H01R 13/70 D13/137.1
D832,786	S	*	11/2018	Zhu	D13/139.1
D835,043	S	*	12/2018	Liao	D13/137.3
D848,948	S	*	5/2019	Wei	D13/137.2
D856,934	S	*	8/2019	Levy	D13/137.2
D858,439	S	*	9/2019	Li	D13/137.2
D859,311	S	*	9/2019	Liao	D13/137.3

* cited by examiner

Primary Examiner — Rhea Shields

(74) *Attorney, Agent, or Firm* — Jeenam Park

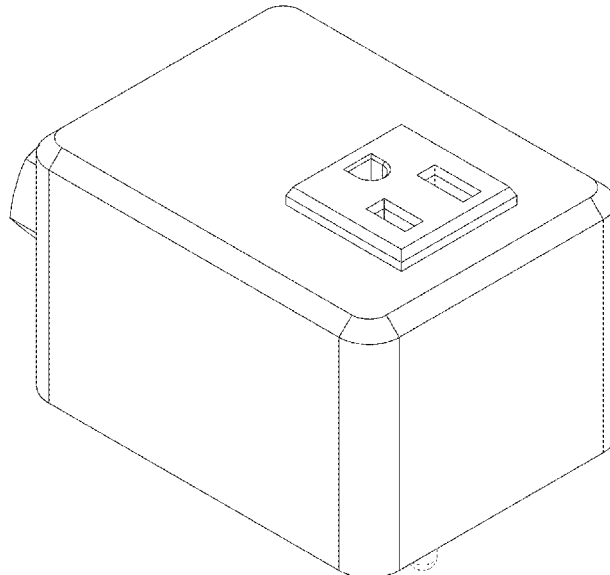
(57) **CLAIM**

The ornamental design for an air switch power module, as shown and described.

DESCRIPTION

FIG. 1 is a perspective view of an air switch power module, showing my new design;
 FIG. 2 is another perspective view thereof;
 FIG. 3 is a front view thereof;
 FIG. 4 is a rear view thereof;
 FIG. 5 is a left side view thereof;
 FIG. 6 is a right side view thereof;
 FIG. 7 is a top plan view thereof; and,
 FIG. 8 is a bottom plan view thereof.
 The broken lines shown in the drawings illustrate portions of the air switch power module that form no part of the claimed design.

1 Claim, 8 Drawing Sheets



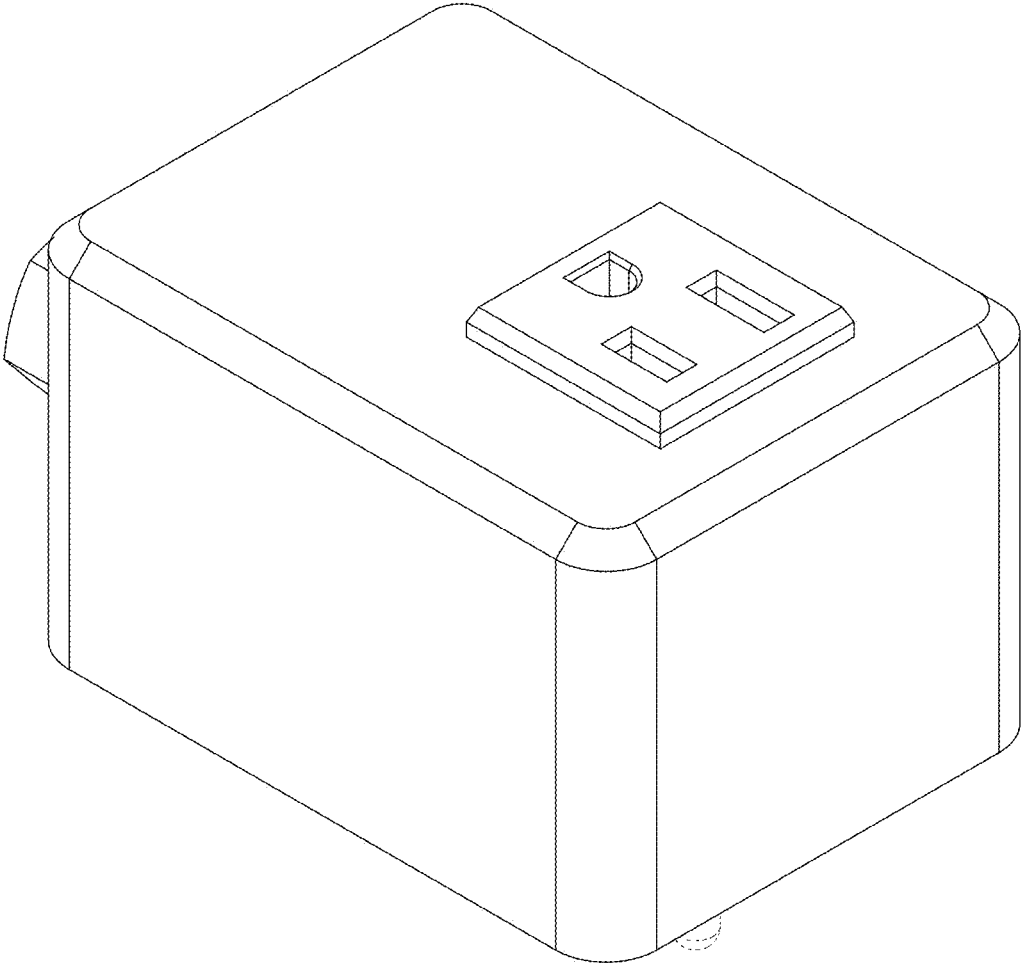


FIG. 1

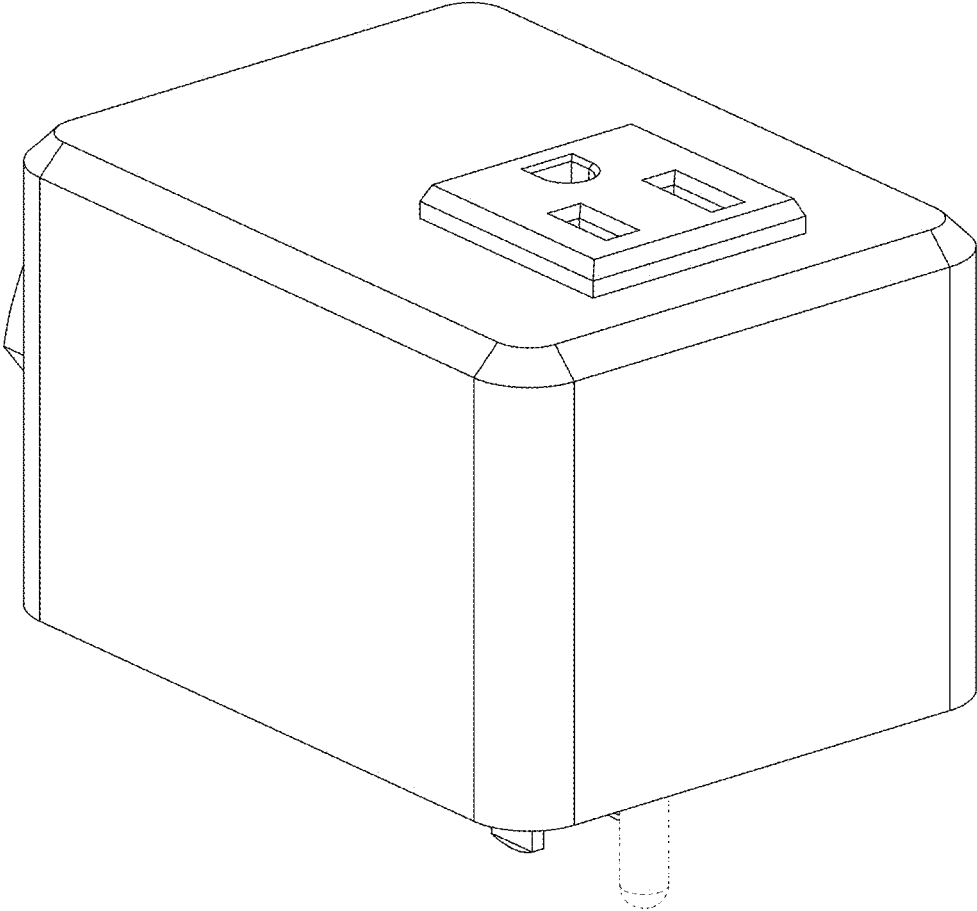


FIG. 2

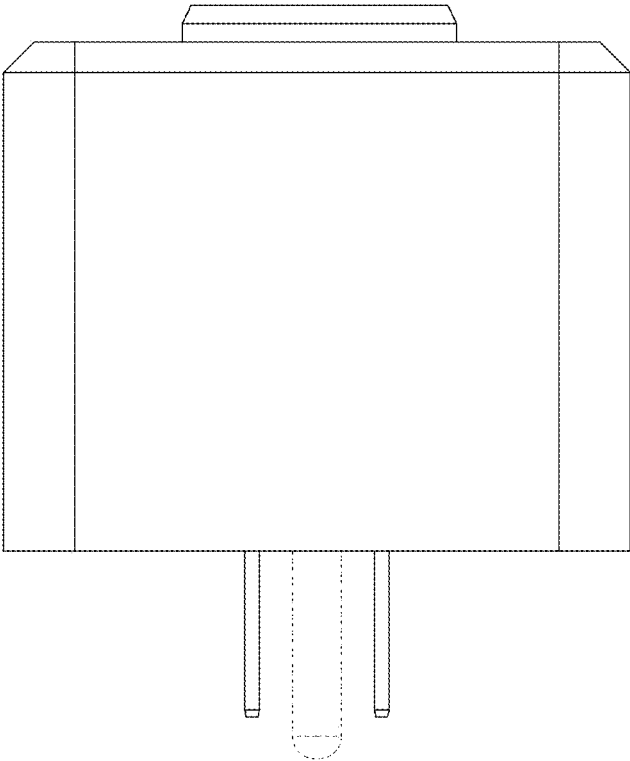


FIG. 3

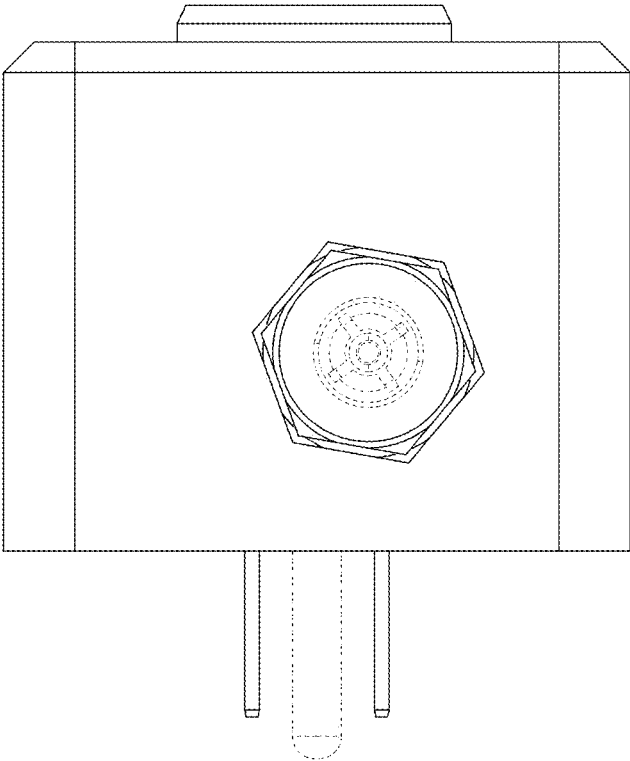


FIG. 4

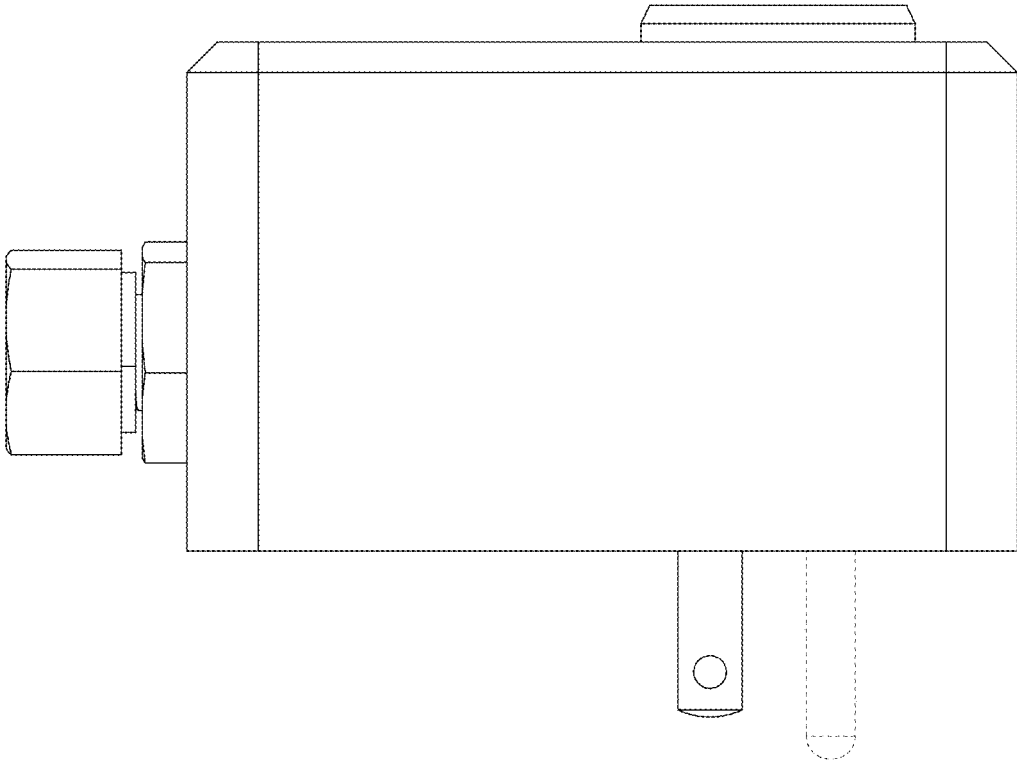


FIG. 5

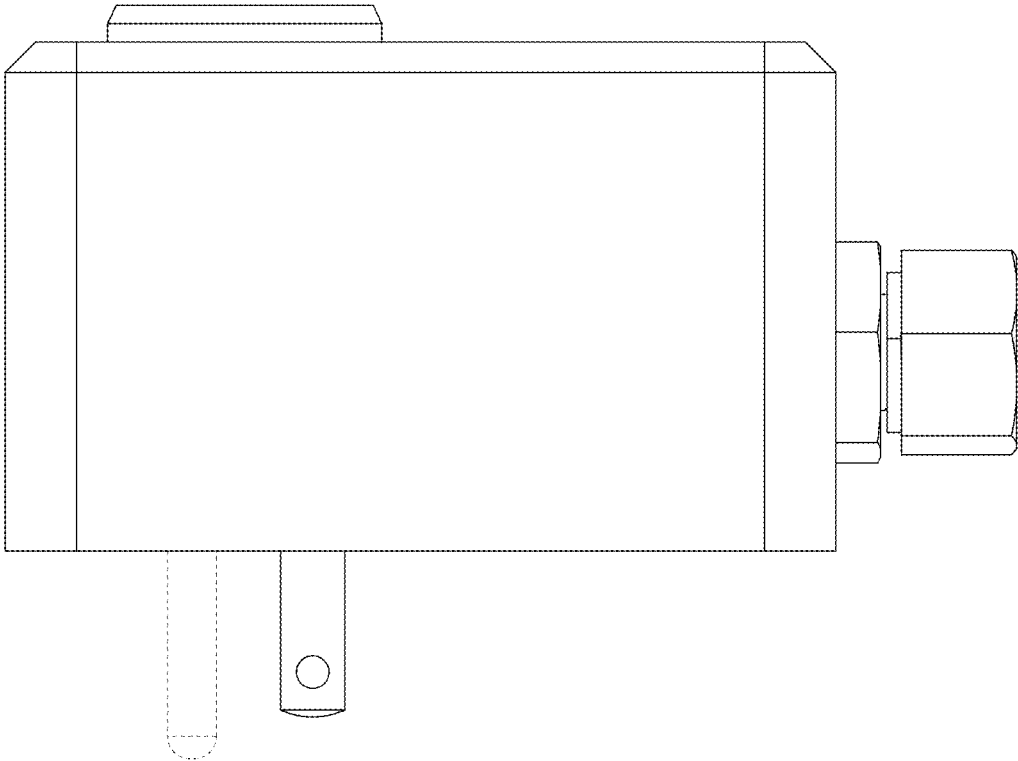


FIG. 6

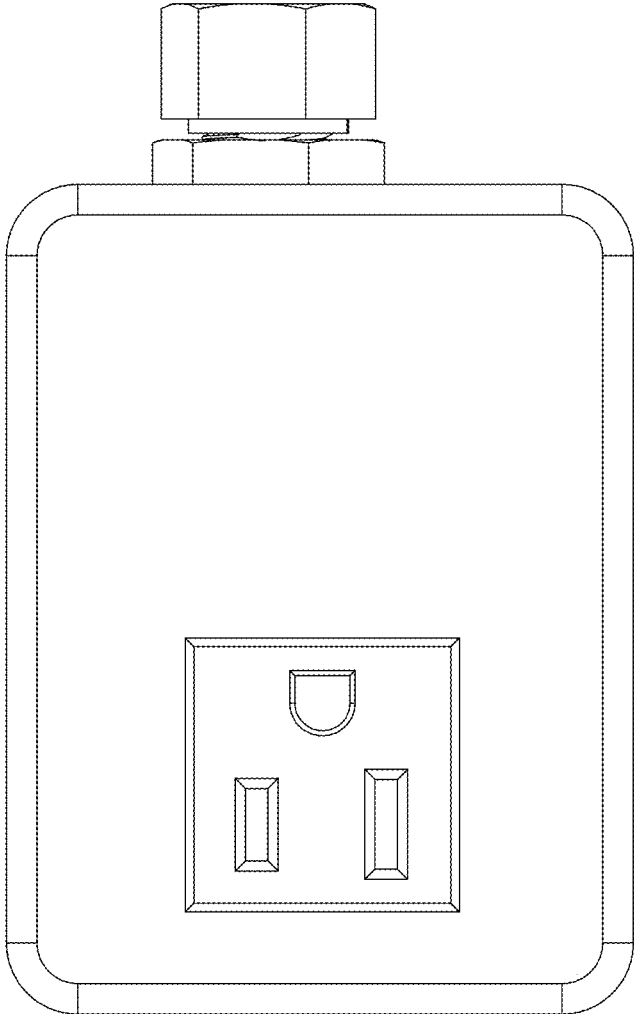


FIG. 7

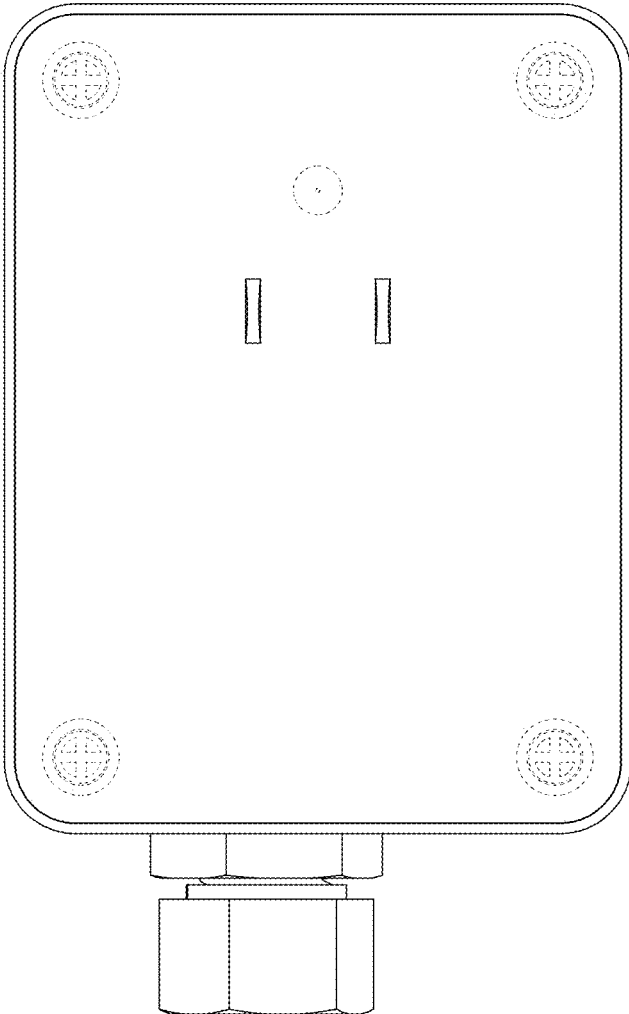


FIG. 8