

Design.

NO. 5,861. DESIGNS
Sewing Machines, and

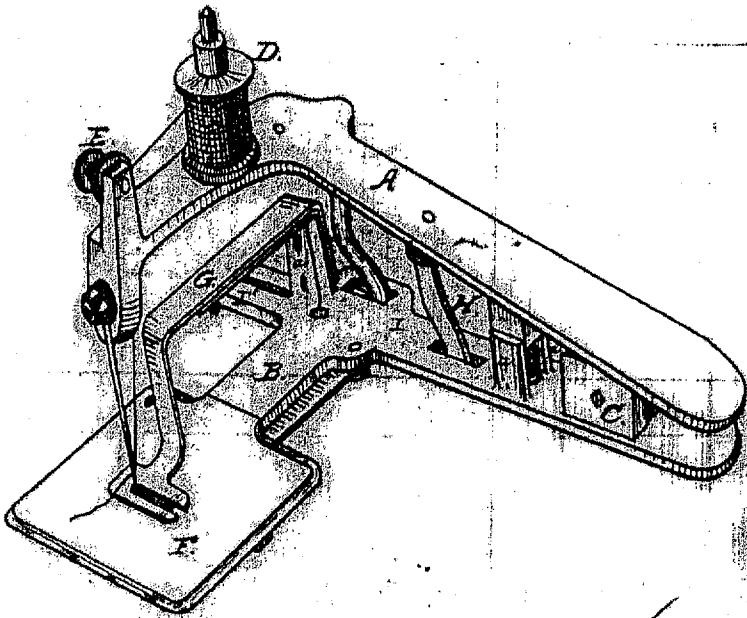
[DESIGN.]

W. G. BECKWITH.

Sewing-Machine.

No. 5,861.

Patented May 21, 1872.



Witnesses

Edward H. Johnson

Edward H. Johnson

Inventor

William G. Beckwith

Design for drawing on outside

5861

dec 11 1872

5,861

UNITED STATES PATENT OFFICE.

WILLIAM G. BECKWITH, OF NEWARK, NEW JERSEY, ASSIGNOR TO THE
BECKWITH SEWING-MACHINE COMPANY, OF NEW YORK CITY.

DESIGN FOR A SEWING-MACHINE BED.

Specification forming part of Design No. 5,861, dated May 21, 1872.

Specification describing a Design for a Sewing-Machine Bed, invented by WILLIAM G. BECKWITH, of Newark, in the county of Essex and State of New Jersey.

The nature of my design is fully shown and represented in the accompanying drawing, where it is shown applied to and forming part of a sewing-machine. This bed consists of a plate, I I', having upwardly-projecting lugs *a* and C for the presser and needle-arms, and projecting laterally from the plate is an arm,

B, which is enlarged or formed into a table-plate, F, to support the cloth.

Claim.

The design for a sewing-machine bed, substantially as shown and described.

WILLIAM G. BECKWITH.

Witnesses:

EDWARD E. OSBOEN,
EDWARD H. JOHNSON.