



- (51) International Patent Classification:
E21B 33/08 (2006.01) E21B 33/06 (2006.01)
- (21) International Application Number:
PCT/US2013/076438
- (22) International Filing Date:
19 December 2013 (19.12.2013)
- (25) Filing Language: English
- (26) Publication Language: English
- (30) Priority Data:
13/725,100 21 December 2012 (21.12.2012) US
- (71) Applicant: HYDRIL USA MANUFACTURING LLC
[US/US]; 3300 N. Sam Houston Parkway East, Houston,
TX 77032 (US).
- (72) Inventor: SMITH, Aaron, P.; 3300 N. Sam Houston
Parkway East, Houston, TX 77032 (US).

- (74) Agents: DOMBROWSKI, Joanna, M. et al.; General
Electric Company, Global Patent Operation, 2 Corporate
Drive, Suite 648, Shelton, CT 06484 (US).
- (81) Designated States (unless otherwise indicated, for every
kind of national protection available): AE, AG, AL, AM,
AO, AT, AU, AZ, BA, BB, BG, BH, BN, BR, BW, BY,
BZ, CA, CH, CL, CN, CO, CR, CU, CZ, DE, DK, DM,
DO, DZ, EC, EE, EG, ES, FI, GB, GD, GE, GH, GM, GT,
HN, HR, HU, ID, IL, IN, IR, IS, JP, KE, KG, KN, KP, KR,
KZ, LA, LC, LK, LR, LS, LT, LU, LY, MA, MD, ME,
MG, MK, MN, MW, MX, MY, MZ, NA, NG, NI, NO, NZ,
OM, PA, PE, PG, PH, PL, PT, QA, RO, RS, RU, RW, SA,
SC, SD, SE, SG, SK, SL, SM, ST, SV, SY, TH, TJ, TM,
TN, TR, TT, TZ, UA, UG, US, UZ, VC, VN, ZA, ZM,
ZW.
- (84) Designated States (unless otherwise indicated, for every
kind of regional protection available): ARIPO (BW, GH,
GM, KE, LR, LS, MW, MZ, NA, RW, SD, SL, SZ, TZ,
UG, ZM, ZW), Eurasian (AM, AZ, BY, KG, KZ, RU, TJ,

[Continued on next page]

(54) Title: ANNULAR BLOWOUT PREVENTER AND LOWER MARINE RISER PACKAGE CONNECTOR UNIT

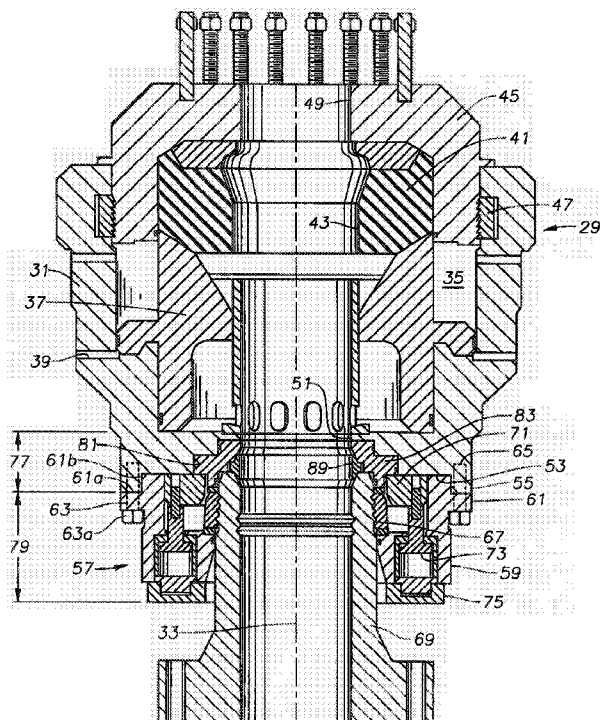


FIG. 3

(57) Abstract: An annular blowout preventer assembly has annular element housing and a central cavity with an elastomeric annular element in the central cavity. An annular element piston is located within the central cavity in engagement with the annular element. A connector housing has an upper end that abuts a lower end of the annular element housing. Bolts extend upward from the connector housing into threaded blind holes in the annular element housing for securing the connector housing to the annular element housing. A locking element is carried within the connector housing for radial inward movement into engagement with a profile on a mandrel of a blowout preventer stack.





TM), European (AL, AT, BE, BG, CH, CY, CZ, DE, DK, EE, ES, FI, FR, GB, GR, HR, HU, IE, IS, IT, LT, LU, LV, MC, MK, MT, NL, NO, PL, PT, RO, RS, SE, SI, SK, SM, TR), OAPI (BF, BJ, CF, CG, CI, CM, GA, GN, GQ, GW, KM, ML, MR, NE, SN, TD, TG).

— *as to the applicant's entitlement to claim the priority of the earlier application (Rule 4.17(iii))*

Published:

— *with international search report (Art. 21(3))*

Declarations under Rule 4.17:

— *as to applicant's entitlement to apply for and be granted a patent (Rule 4.17(ii))*

(88) Date of publication of the international search report:

31 December 2014

INTERNATIONAL SEARCH REPORT

International application No
PCT/US2013/076438

A. CLASSIFICATION OF SUBJECT MATTER
INV. E21B33/08 E21B33/06
ADD.
According to International Patent Classification (IPC) or to both national classification and IPC

B. FIELDS SEARCHED
Minimum documentation searched (classification system followed by classification symbols)
E21B
Documentation searched other than minimum documentation to the extent that such documents are included in the fields searched

Electronic data base consulted during the international search (name of data base and, where practicable, search terms used)
EPO-Internal, WPI Data

C. DOCUMENTS CONSIDERED TO BE RELEVANT		
Category*	Citation of document, with indication, where appropriate, of the relevant passages	Relevant to claim No.
Y	US 3 323 773 A (WALKER RAYMOND W) 6 June 1967 (1967-06-06) column 3, line 47 - column 4, line 25; figures 2,4,5 column 3, line 37 - column 4, line 32; figures 1-4	1-20
Y	US 3 321 217 A (AHLSTONE ARTHUR G) 23 May 1967 (1967-05-23) column 4, line 36 - column 5, line 16; figures 1,2,5	1-20
A	US 2012/125598 A1 (GODFREY CRAIG W [US] ET AL) 24 May 2012 (2012-05-24) abstract; figures 1,3	1-20
A	US 4 546 828 A (ROCHE JOSEPH R [US]) 15 October 1985 (1985-10-15) abstract; figures 1,2	1-20

Further documents are listed in the continuation of Box C.

See patent family annex.

* Special categories of cited documents :

- "A" document defining the general state of the art which is not considered to be of particular relevance
- "E" earlier application or patent but published on or after the international filing date
- "L" document which may throw doubts on priority claim(s) or which is cited to establish the publication date of another citation or other special reason (as specified)
- "O" document referring to an oral disclosure, use, exhibition or other means
- "P" document published prior to the international filing date but later than the priority date claimed

- "T" later document published after the international filing date or priority date and not in conflict with the application but cited to understand the principle or theory underlying the invention
- "X" document of particular relevance; the claimed invention cannot be considered novel or cannot be considered to involve an inventive step when the document is taken alone
- "Y" document of particular relevance; the claimed invention cannot be considered to involve an inventive step when the document is combined with one or more other such documents, such combination being obvious to a person skilled in the art
- "&" document member of the same patent family

Date of the actual completion of the international search 29 October 2014	Date of mailing of the international search report 05/11/2014
-------------------------------------------------------------------------------------	-------------------------------------------------------------------------

Name and mailing address of the ISA/ European Patent Office, P.B. 5818 Patentlaan 2 NL - 2280 HV Rijswijk Tel. (+31-70) 340-2040, Fax: (+31-70) 340-3016	Authorized officer Strømmen, Henrik
----------------------------------------------------------------------------------------------------------------------------------------------------------------------	-----------------------------------------------

INTERNATIONAL SEARCH REPORT

Information on patent family members

International application No

PCT/US2013/076438

Patent document cited in search report	Publication date	Patent family member(s)	Publication date
US 3323773	A	06-06-1967	GB 1014460 A 22-12-1965
			LU 45218 A1 16-03-1964
			NL 302722 A 29-10-2014
			US 3323773 A 06-06-1967

US 3321217	A	23-05-1967	NONE

US 2012125598	A1	24-05-2012	NONE

US 4546828	A	15-10-1985	NONE
