



US00D682090S

(12) **United States Design Patent**  
**Scatterday**

(10) **Patent No.:** **US D682,090 S**

(45) **Date of Patent:** **\*\* May 14, 2013**

(54) **ELECTRONIC CIGARETTE CONTAINER**  
(75) Inventor: **Mark Scatterday**, Scottsdale, AZ (US)  
(73) Assignee: **NJOY, Inc.**, Scottsdale, AZ (US)

D540,163 S \* 4/2007 Claussen ..... D9/418  
7,219,830 B2 \* 5/2007 West ..... 229/115  
D551,561 S \* 9/2007 Bieger et al. .... D9/561  
7,438,211 B2 \* 10/2008 Tseng ..... 229/112  
D586,454 S \* 2/2009 Nishio et al. .... D23/393  
D617,554 S \* 6/2010 Raile ..... D3/265

(\*\*) Term: **14 Years**  
(21) Appl. No.: **29/404,202**

(Continued)  
*Primary Examiner* — Robert M Spear  
*Assistant Examiner* — Vy Koenig  
(74) *Attorney, Agent, or Firm* — Weiss & Moy, P.C.; Jeffrey D. Moy; Veronica-Adele R. Cao

(22) Filed: **Oct. 17, 2011**  
(51) **LOC (9) Cl.** ..... **09-03**  
(52) **U.S. Cl.**  
USPC ..... **D9/430**  
(58) **Field of Classification Search** ..... D9/414,  
D9/416, 418, 420–424, 430–433; D3/272;  
206/267, 269, 270, 273, 299, 421, 454, 457,  
206/737, 740, 822, 775–778, 784; 229/100,  
229/101, 101.3, 106, 108–122, 221, 222,  
229/227, 902, 939, 941, 942  
See application file for complete search history.

(57) **CLAIM**  
The ornamental design for an electronic cigarette container, as shown and described.

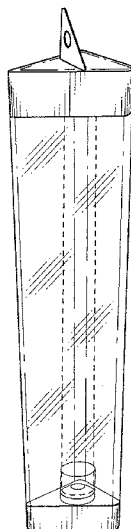
(56) **References Cited**

**DESCRIPTION**

U.S. PATENT DOCUMENTS  
3,185,378 A \* 5/1965 Rosenberg, Jr. .... 229/115  
D242,022 S \* 10/1976 Bish ..... D9/432  
4,017,015 A \* 4/1977 Jefferson ..... 294/1.3  
D267,702 S \* 1/1983 Swann ..... D9/424  
D309,416 S \* 7/1990 Britz ..... D8/104  
D361,262 S \* 8/1995 Lusker ..... D9/561  
D424,378 S \* 5/2000 Bacon et al. .... D7/602  
D424,430 S \* 5/2000 Seidler ..... D9/715  
D427,065 S \* 6/2000 Sagel et al. .... D9/430  
D437,221 S \* 2/2001 Sagel et al. .... D9/430  
D439,838 S \* 4/2001 Sagel et al. .... D9/430  
D440,875 S \* 4/2001 Sagel ..... D9/430  
D442,861 S \* 5/2001 Sagel ..... D9/430  
D449,524 S \* 10/2001 Kieras ..... D9/559  
D465,155 S \* 11/2002 Weinstein et al. .... D9/430  
D478,002 S \* 8/2003 Lin ..... D9/415  
D494,858 S \* 8/2004 Rosler ..... D9/415  
D508,850 S \* 8/2005 Ghini et al. .... D9/431  
D529,815 S \* 10/2006 Frasier et al. .... D9/636

FIG. 1 is a perspective view of a first side of the electronic cigarette container with a tab in a closed position; FIG. 2 is a perspective view of the first side of the electronic cigarette container with the tab in an elevated position; FIG. 3 is a perspective view of a second side of the electronic cigarette container with the tab in an elevated position; FIG. 4 is a perspective view of the first side of the electronic cigarette container with a top section removed extracting the electronic cigarette from the container; FIG. 5 is a perspective view of a first side of the top section of electronic cigarette container, having a cutaway showing an attachment for securing the electronic cigarette within the top section; FIG. 6 is a perspective view of a first side of a bottom section of the electronic cigarette container, the other sides of the bottom surface being a mirror image thereof; FIG. 7 is a bottom plan view of the electronic cigarette container; and, FIG. 8 is a top view of the electronic cigarette container with the tab in a closed position.  
The broken lines in FIGS. 1-5 represent unclaimed environment.

**1 Claim, 3 Drawing Sheets**



# US D682,090 S

Page 2

---

## U.S. PATENT DOCUMENTS

D637,904 S *	5/2011	Anderson et al. ....	D9/430	
8,061,111 B2 *	11/2011	Buisson et al. ....	53/475	* cited by examiner
				D656,648 S * 3/2012 Tompkin ..... D26/46

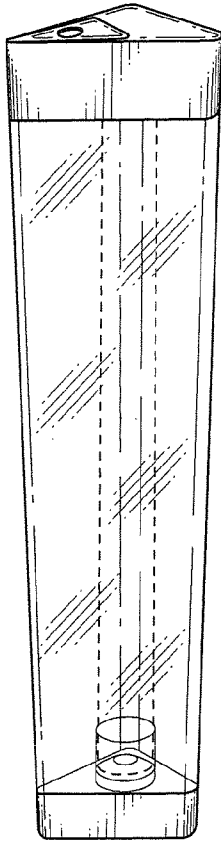


FIG. 1

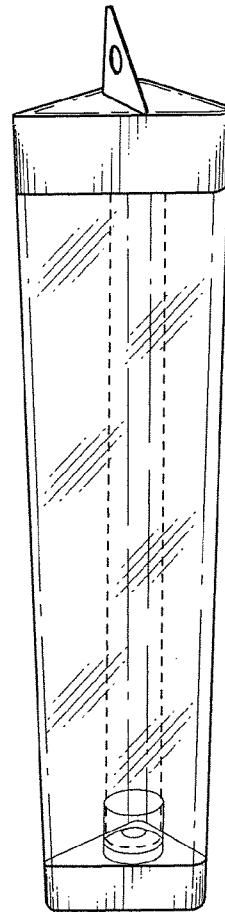


FIG. 2

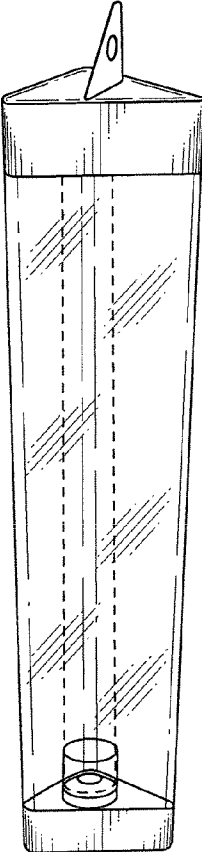


FIG. 3

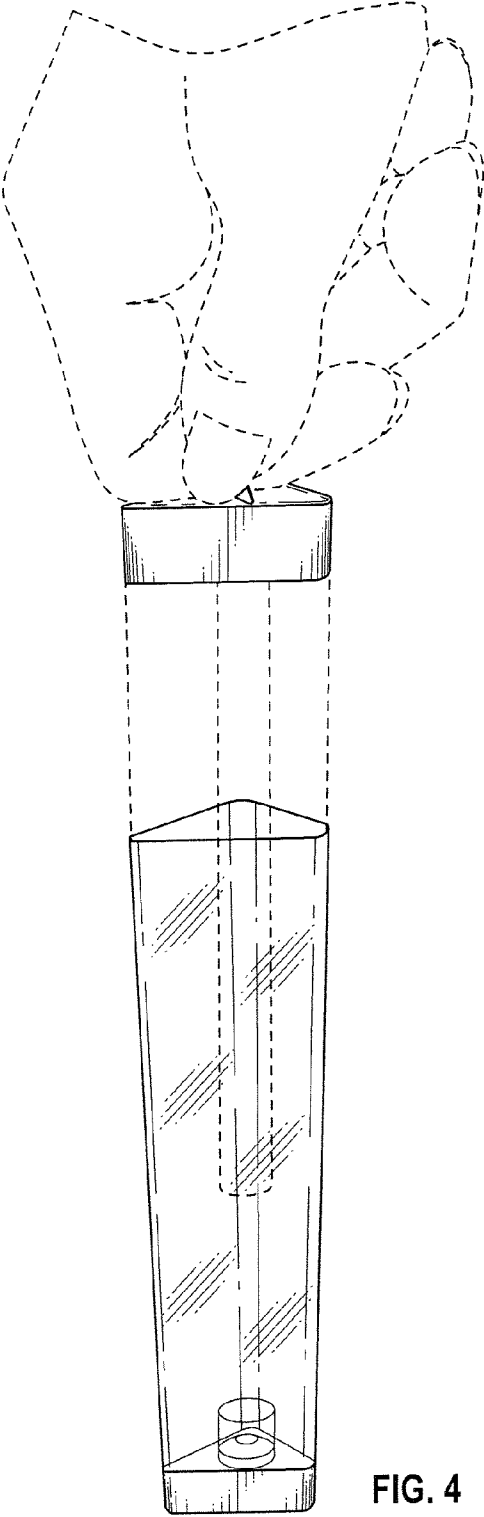


FIG. 4

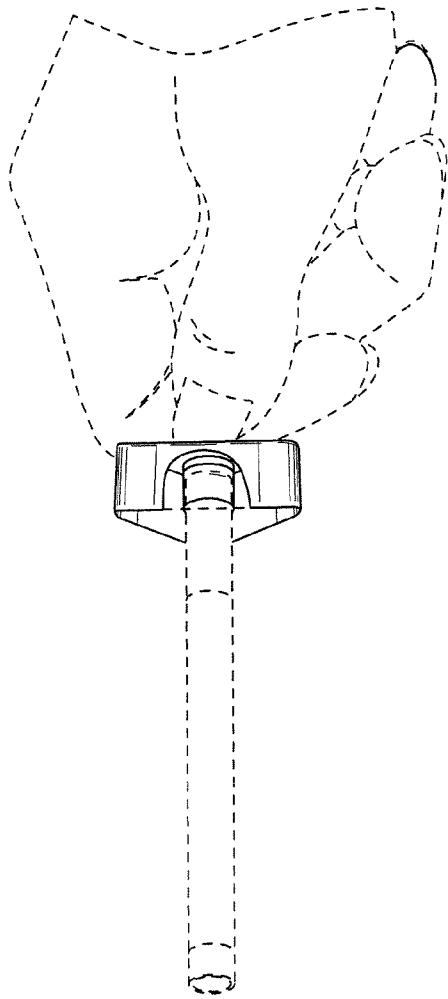


FIG. 5

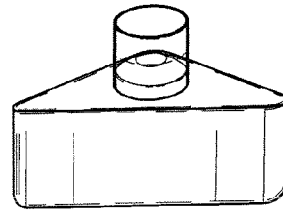


FIG. 6

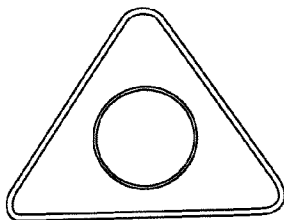


FIG. 7

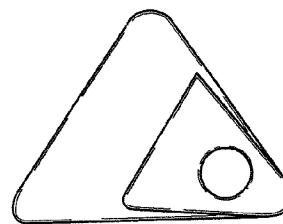


FIG. 8