

(19) World Intellectual Property Organization
International Bureau



(43) International Publication Date
8 January 2004 (08.01.2004)

PCT

(10) International Publication Number
WO 2004/004330 A3

(51) International Patent Classification⁷: H04N 7/24, 7/52

10510 (US). WESTER, Rogatus, H., H.; P.O. Box 3001, Briarcliff Manor, NY 10510 (US). VAN DER SCHAAR, Auke; P.O. Box 3001, Briarcliff Manor, NY 10510 (US).

(21) International Application Number:
PCT/IB2003/002660

(74) Common Representative: KONINKLIJKE PHILIPS ELECTRONICS N.V.; c/o BELK, Michael, E., Philips Intellectual Property & Standards, 580 White Plains Road, Tarrytown, NY 10591 (US).

(22) International Filing Date: 5 June 2003 (05.06.2003)

(25) Filing Language: English

(26) Publication Language: English

(81) Designated States (national): AE, AG, AL, AM, AT, AU, AZ, BA, BB, BG, BR, BY, BZ, CA, CH, CN, CO, CR, CU, CZ, DE, DK, DM, DZ, EC, EE, ES, FI, GB, GD, GE, GH, GM, HR, HU, ID, IL, IN, IS, JP, KE, KG, KP, KR, KZ, LC, LK, LR, LS, LT, LU, LV, MA, MD, MG, MK, MN, MW, MX, MZ, NI, NO, NZ, OM, PH, PL, PT, RO, RU, SC, SD, SE, SG, SK, SL, TJ, TM, TN, TR, TT, TZ, UA, UG, UZ, VC, VN, YU, ZA, ZM, ZW.

(30) Priority Data:
10/183,798 27 June 2002 (27.06.2002) US

(71) Applicant: KONINKLIJKE PHILIPS ELECTRONICS N.V. [NL/NL]; Groenewoudseweg 1, NL-5621 BA Eindhoven (NL).

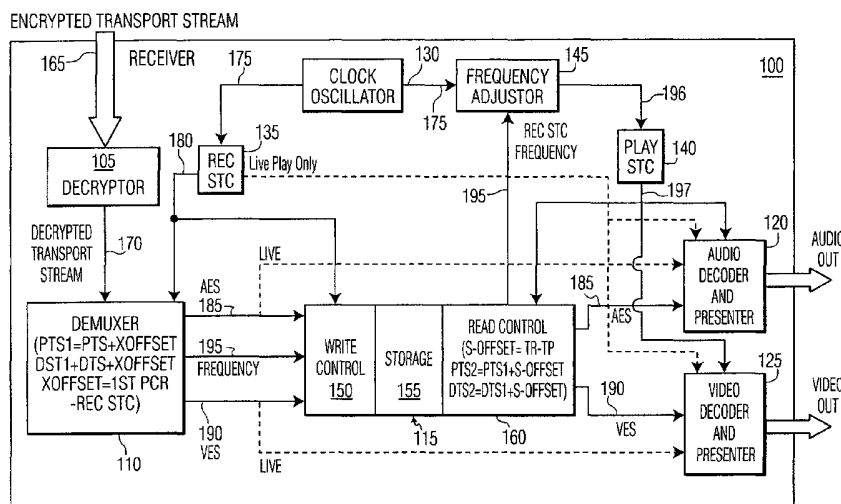
(71) Applicant (for AE only): U.S. PHILIPS CORPORATION [US/US]; Avenue of the Americas, New York, NY 10510-8001 (US).

(84) Designated States (regional): ARIPO patent (GH, GM, KE, LS, MW, MZ, SD, SL, SZ, TZ, UG, ZM, ZW), Eurasian patent (AM, AZ, BY, KG, KZ, MD, RU, TJ, TM), European patent (AT, BE, BG, CH, CY, CZ, DE, DK, EE, ES, FI, FR, GB, GR, HU, IE, IT, LU, MC, NL, PT, RO, SE, SI, SK, TR), OAPI patent (BF, BJ, CF, CG, CI, CM, GA, GN, GQ, GW, ML, MR, NE, SN, TD, TG).

(72) Inventors: MANI, Murali; P.O. BOX 3001, Briarcliff Manor, NY 10510 (US). MEENAKSHISUNDARAM, Ramanathan; P.O. Box 3001, Briarcliff Manor, NY

[Continued on next page]

(54) Title: ROBUST METHOD FOR ACHIEVING AUDIO/VIDEO SYNCHRONIZATION IN MPEG DECODERS IN PERSONAL VIDEO RECORDING APPLICATIONS



(57) Abstract: A receiver for receiving an MPEG encrypted transport stream and outputting audio and video signals comprising: a decryptor adapted to receive and decrypt the encrypted transport stream; a de-multiplexer adapted to convert the decrypted transport stream to audio and video elementary streams and to change the values in presentation time stamp and decoding time stamp fields of each packet of the audio and elementary streams to match the time of a receiver record clock; a storage sub-system adapted to store the audio and the video elementary streams and to change the values in the presentation time stamp and decoding time stamp fields of each header of the audio and video elementary streams to compensate for the amount of time the audio and video elementary streams are stored; and audio and video decoders to decode the audio and video elementary streams respectively.

WO 2004/004330 A3



Published:

- *with international search report*
- *before the expiration of the time limit for amending the claims and to be republished in the event of receipt of amendments*

For two-letter codes and other abbreviations, refer to the "Guidance Notes on Codes and Abbreviations" appearing at the beginning of each regular issue of the PCT Gazette.

(88) Date of publication of the international search report:

11 March 2004

INTERNATIONAL SEARCH REPORT

Int. Application No
PCT/IB 03/02660

A. CLASSIFICATION OF SUBJECT MATTER
 IPC 7 H04N7/24 H04N7/52

According to International Patent Classification (IPC) or to both national classification and IPC

B. FIELDS SEARCHED
 Minimum documentation searched (classification system followed by classification symbols)
 IPC 7 H04N

Documentation searched other than minimum documentation to the extent that such documents are included in the fields searched

Electronic data base consulted during the international search (name of data base and, where practical, search terms used)
 EPO-Internal, WPI Data

C. DOCUMENTS CONSIDERED TO BE RELEVANT

Category °	Citation of document, with indication, where appropriate, of the relevant passages	Relevant to claim No.
Y	US 5 652 627 A (ALLEN JAMES RILEY) 29 July 1997 (1997-07-29) abstract column 1, line 31 -column 2, line 29; figure 4 column 6, line 21 -column 6, line 3 ---	1-20
Y	EP 1 091 583 A (SONY CORP) 11 April 2001 (2001-04-11) abstract column 7, line 57 -column 9, line 8 ---	1-20
A	EP 0 944 086 A (PIONEER ELECTRONIC CORP) 22 September 1999 (1999-09-22) abstract column 1, line 43 -column 4, line 30 --- -/--	1-20

Further documents are listed in the continuation of box C. Patent family members are listed in annex.

° Special categories of cited documents :

<p>*A* document defining the general state of the art which is not considered to be of particular relevance</p> <p>*E* earlier document but published on or after the international filing date</p> <p>*L* document which may throw doubts on priority claim(s) or which is cited to establish the publication date of another citation or other special reason (as specified)</p> <p>*O* document referring to an oral disclosure, use, exhibition or other means</p> <p>*P* document published prior to the international filing date but later than the priority date claimed</p>	<p>*T* later document published after the international filing date or priority date and not in conflict with the application but cited to understand the principle or theory underlying the invention</p> <p>*X* document of particular relevance; the claimed invention cannot be considered novel or cannot be considered to involve an inventive step when the document is taken alone</p> <p>*Y* document of particular relevance; the claimed invention cannot be considered to involve an inventive step when the document is combined with one or more other such documents, such combination being obvious to a person skilled in the art.</p> <p>* & * document member of the same patent family</p>
--	--

Date of the actual completion of the international search 13 November 2003	Date of mailing of the international search report 15/01/2004
--	---

Name and mailing address of the ISA European Patent Office, P.B. 5818 Patentlaan 2 NL - 2280 HV Rijswijk Tel. (+31-70) 340-2040, Tx. 31 651 epo nl, Fax: (+31-70) 340-3016	Authorized officer Schoeyer, M
--	--

INTERNATIONAL SEARCH REPORT

In International Application No
PCT/IB 03/02660

C.(Continuation) DOCUMENTS CONSIDERED TO BE RELEVANT

Category °	Citation of document, with indication, where appropriate, of the relevant passages	Relevant to claim No.
A	GB 2 328 099 A (BRITISH BROADCASTING CORP) 10 February 1999 (1999-02-10) abstract page 12, line 8 -page 12, line 23 page 20, line 28 -page 22, line 14 -----	1-20

INTERNATIONAL SEARCH REPORT

Int:	Application No
PCT/IB 03/02660	

Patent document cited in search report		Publication date	Patent family member(s)	Publication date
US 5652627	A	29-07-1997	NONE	
EP 1091583	A	11-04-2001	JP 2001110140 A CN 1290937 A EP 1091583 A1	20-04-2001 11-04-2001 11-04-2001
EP 0944086	A	22-09-1999	JP 11275519 A CN 1237852 A EP 0944086 A2 US 6493362 B1	08-10-1999 08-12-1999 22-09-1999 10-12-2002
GB 2328099	A	10-02-1999	AU 754879 B2 AU 8738198 A CA 2300389 A1 DE 69814642 D1 EP 1002424 A2 WO 9908441 A2 JP 2001513606 T	28-11-2002 01-03-1999 18-02-1999 18-06-2003 24-05-2000 18-02-1999 04-09-2001