



US00D752144S

(12) **United States Design Patent**
Rowe et al.

(10) **Patent No.:** **US D752,144 S**

(45) **Date of Patent:** **** Mar. 22, 2016**

(54) **FOLDER WITH FLAP FEATURES**

(71) Applicant: **ACCO Brands Corporation**, Lake Zurich, IL (US)

(72) Inventors: **Michael D. Rowe**, Medway, OH (US);
Scot B. Herbst, Santa Cruz, CA (US);
Peter M. Bartlett, Bellbrook, OH (US);
Megan C. Lapointe, Burlington (CA)

(73) Assignee: **ACCO BRANDS CORPORATION**, Lake Zurich, IL (US)

(**) Term: **14 Years**

(21) Appl. No.: **29/525,623**

(22) Filed: **Apr. 30, 2015**

Related U.S. Application Data

(62) Division of application No. 29/450,664, filed on Mar. 20, 2013, now Pat. No. Des. 731,592.

(51) **LOC (10) Cl.** **19-04**

(52) **U.S. Cl.**
USPC **D19/27**

(58) **Field of Classification Search**
USPC D19/20, 21, 22, 26, 27, 100; D3/247,
D3/294, 299

CPC B42F 13/00; B42F 13/0006; B42F 3/00;
B42F 3/04; B42F 5/00; B42F 13/14; B42F
13/16

See application file for complete search history.

(56) **References Cited**

U.S. PATENT DOCUMENTS

3,933,375 A 1/1976 Humphrey et al.
4,219,951 A 9/1980 Schmidt
4,296,945 A 10/1981 Pavlik
4,630,843 A * 12/1986 Willat B42F 13/0013
156/292
4,848,798 A * 7/1989 Moor B42F 13/0033
281/29

4,856,817 A 8/1989 Moor
D311,419 S * 10/1990 Moor D19/27
D312,278 S * 11/1990 Moor D19/26
D313,619 S 1/1991 Moor
5,020,828 A 6/1991 Moor
D319,659 S 9/1991 Moor
D319,660 S 9/1991 Moor
5,236,226 A * 8/1993 Sheffield B42F 7/06
281/31
5,351,992 A * 10/1994 Chilson B42F 13/0006
281/30
D353,836 S * 12/1994 Carvelli D19/27
D359,310 S * 6/1995 Su D19/26

(Continued)

FOREIGN PATENT DOCUMENTS

CA 110807 1/2009
CA 118573 1/2009

(Continued)

Primary Examiner — Sheryl Lane

Assistant Examiner — Ieisha Price

(74) *Attorney, Agent, or Firm* — Thompson Hine LLP

(57) **CLAIM**

The ornamental design for a folder with flap features, as shown and described.

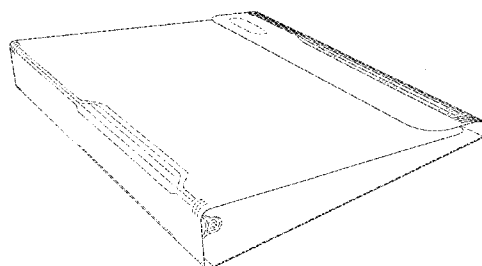
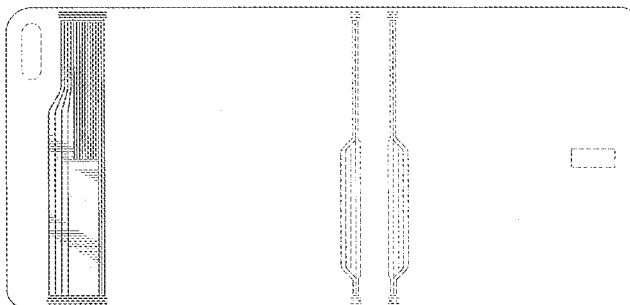
DESCRIPTION

FIG. 1 is a top view of the folder with flap features; FIG. 2 is a top perspective view of the folder with flap features of FIG. 1; and, FIG. 3 is a perspective view of the folder with flap features of FIG. 2, in a folded and closed condition.

The broken lines in the drawings illustrate portions of the folder with flap features and form no part of the claimed design.

The perimeter of folder with flap features, the features shown in full lines and areas rendered with shading are to be understood to be the claimed design. The surfaces without shading are not the claimed design and form no part thereof.

1 Claim, 3 Drawing Sheets



(56)

References Cited

U.S. PATENT DOCUMENTS

D414,801 S * 10/1999 Karten D19/26
 D431,049 S * 9/2000 Moor D19/26
 D446,241 S 8/2001 Moor
 D486,854 S 2/2004 Wehmeyer et al.
 D557,739 S 12/2007 Bharna
 D557,740 S 12/2007 Bharna
 D558,267 S 12/2007 Bharna
 D569,426 S 5/2008 Stockstill et al.
 D574,889 S 8/2008 Stockstill et al.
 D576,673 S 9/2008 Petrie
 D577,381 S 9/2008 Stockstill et al.
 D577,382 S 9/2008 Stockstill et al.
 D577,767 S 9/2008 Stockstill et al.
 D581,458 S 11/2008 Stockstill et al.
 D585,092 S 1/2009 Stockstill et al.
 D586,390 S 2/2009 Stockstill et al.
 D588,635 S 3/2009 Stockstill et al.

D591,343 S 4/2009 Hussy et al.
 D618,277 S * 6/2010 Baker D19/27
 D638,470 S 5/2011 Stockstill et al.
 D731,592 S * 6/2015 Rowe D19/27
 2008/0174412 A1 7/2008 Sward et al.
 2012/0241507 A1* 9/2012 Rowe A45C 11/18
 229/67.3

FOREIGN PATENT DOCUMENTS

CA	118574	1/2009
CA	121194	1/2009
CA	121201	1/2009
CA	127129	1/2009
CA	127130	1/2009
CA	127131	1/2009
CA	127521	1/2009
CA	127538	1/2009

* cited by examiner

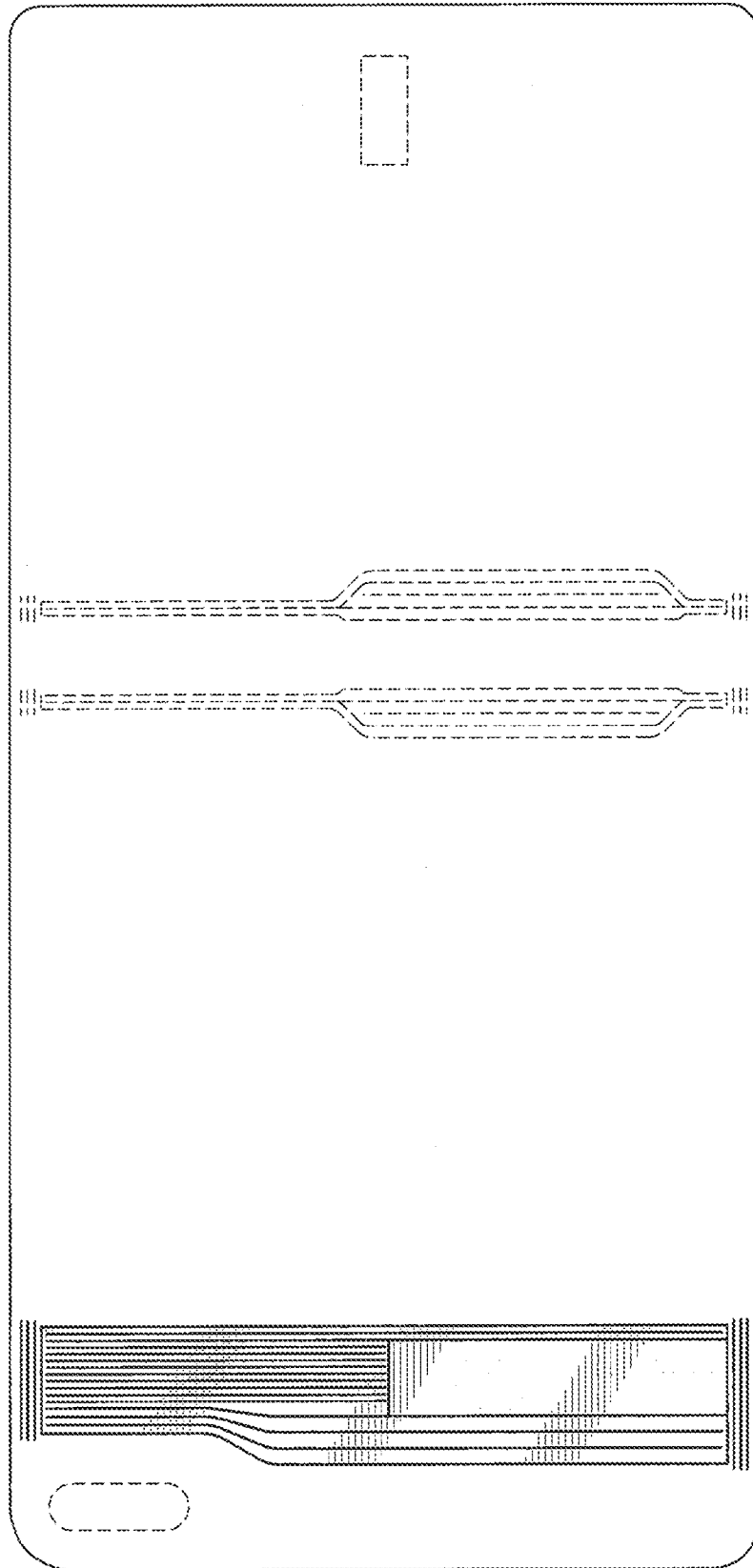


Fig. 1

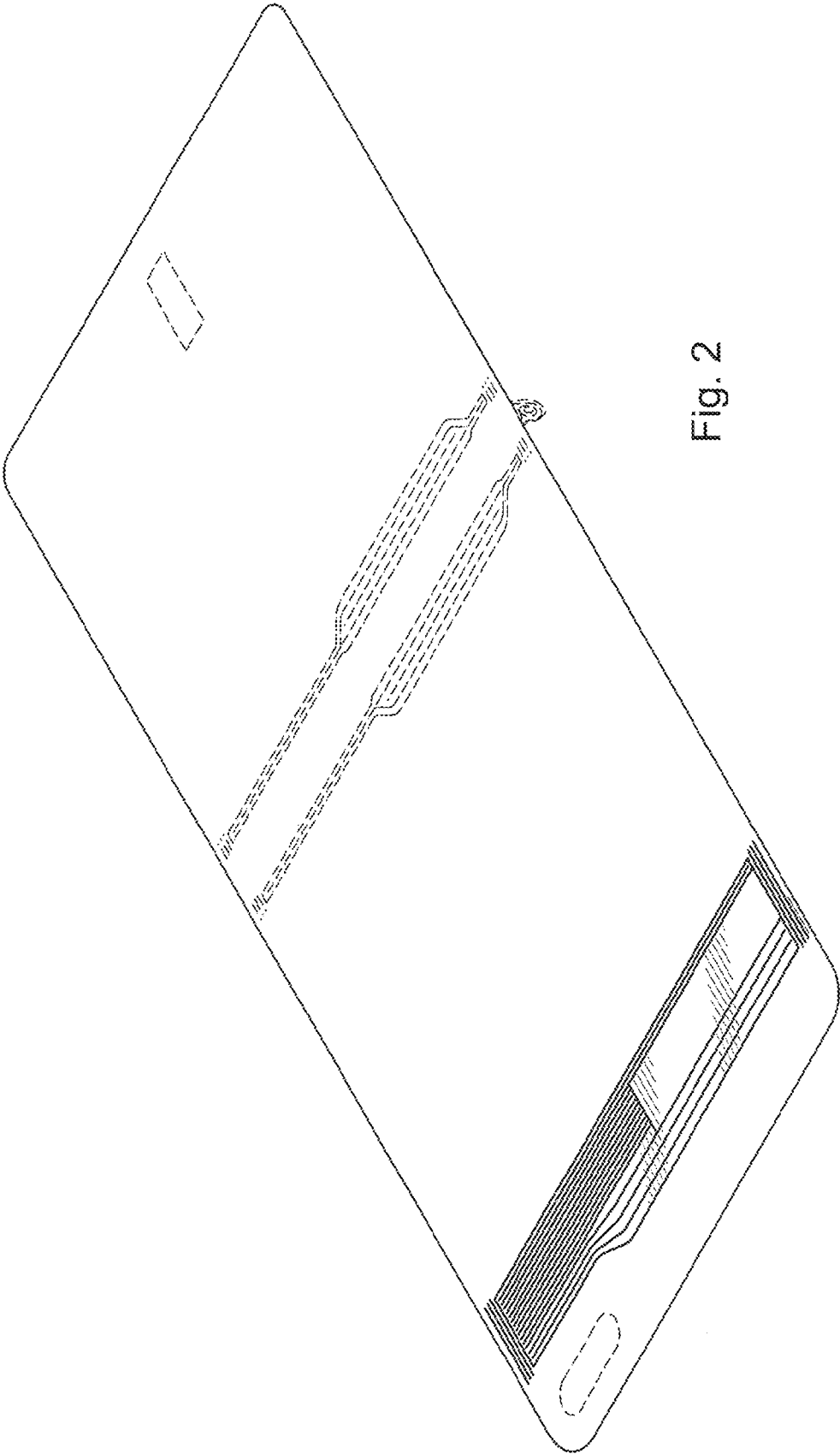


Fig. 2

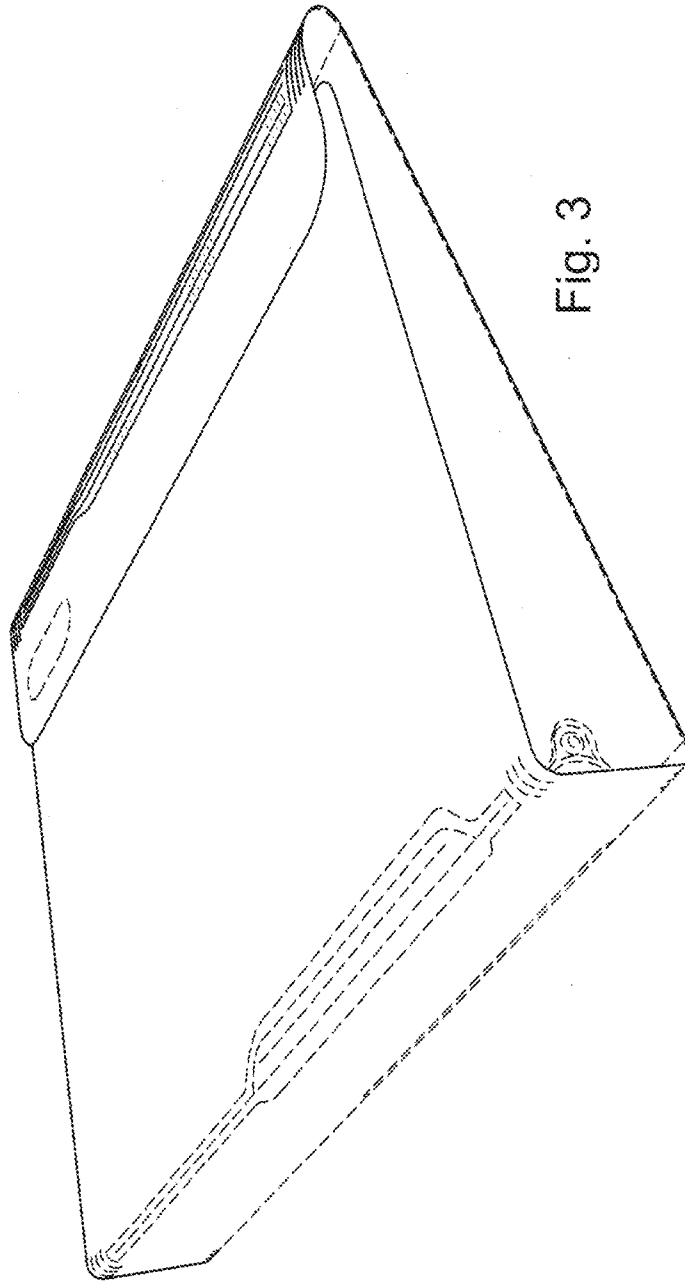


Fig. 3