



US00D830695S

(12) **United States Design Patent**
Brunner

(10) **Patent No.:** **US D830,695 S**
(45) **Date of Patent:** **** Oct. 16, 2018**

(54) TOOLBOX TROLLEY	8,991,599 B2 *	3/2015	Wilson	B25H 3/026
				108/145
(71) Applicant: Keter Plastic Ltd., Herzelyia (IL)	D738,105 S *	9/2015	Shitrit	D3/276
	D744,750 S *	12/2015	Sabbag	D3/281
(72) Inventor: Yaron Brunner, Kibbutz Gvat (IL)	D771,381 S *	11/2016	Sosnovsky	D3/279
	D792,094 S *	7/2017	Stoikos	D3/274
(73) Assignee: KETER PLASTIC LTD., Herzelyia (IL)	2012/0292213 A1 *	11/2012	Brunner	B25H 3/028
				206/349
	2014/0197059 A1 *	7/2014	Evans	B25H 3/02
				206/349
(**) Term: 15 Years	2016/0309863 A1 *	10/2016	Tonelli	A45C 5/03
	2017/0129097 A1 *	5/2017	Engvall	B25H 3/02

(21) Appl. No.: **29/582,331**

(22) Filed: **Oct. 27, 2016**

(51) **LOC (11) Cl.** **03-01**

(52) **U.S. Cl.**
USPC **D3/279; D3/905**

(58) **Field of Classification Search**
USPC D3/269, 272, 273, 274, 276, 279, 281,
D3/282, 283, 288, 290, 294, 298, 299,
D3/905, 217; D34/12, 14, 17, 19, 20, 18,
D34/23, 24, 25, 27
CPC B62B 1/00; B62B 3/00; B25H 3/00; B25H
3/003; B25H 3/02; B25H 5/00; A45C
7/00; A45C 5/00; A45C 5/005; A45C
2005/037; A45C 5/04; A45C 5/14; A45C
2007/0004; A45C 7/0018; A45C
2009/002
See application file for complete search history.

(56) **References Cited**

U.S. PATENT DOCUMENTS

D378,874 S *	4/1997	Dickinson	D3/281
6,318,713 B1 *	11/2001	Levi	B25H 1/04
			206/216
D467,426 S *	12/2002	Hardigg	D3/276
D610,351 S *	2/2010	Brunner	D3/273
D618,911 S *	7/2010	Brunner	D3/281
D649,349 S *	11/2011	Chen	D3/276
D709,287 S *	7/2014	Shitrit	D3/279

* cited by examiner

Primary Examiner — Jennifer Rivard

Assistant Examiner — April Rivas

(74) *Attorney, Agent, or Firm* — Vorys, Sater, Seymour & Pease LLP

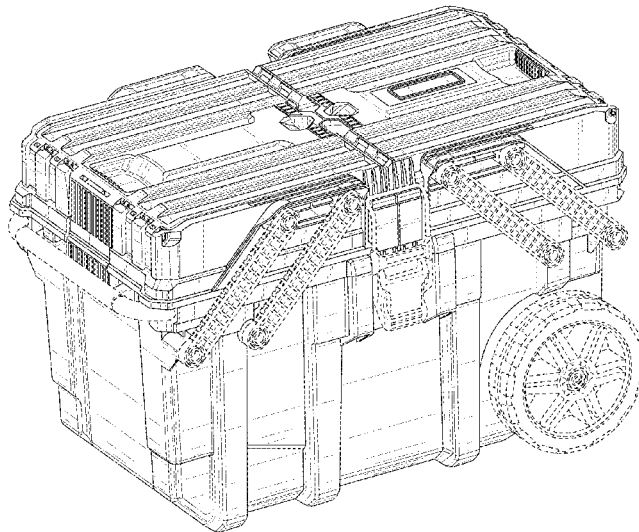
(57) **CLAIM**

The ornamental design for a toolbox trolley, as shown and described.

DESCRIPTION

FIG. 1 is a perspective view of a design for a toolbox trolley; FIG. 2 is a right side elevational view of the design as seen in FIG. 1; FIG. 3 is a left side elevational view of the design as seen in FIG. 1; FIG. 4 is a front elevational view of the design as seen in FIG. 1; FIG. 5 is a rear elevational view of the design as seen in FIG. 1; FIG. 6 is a top plan view of the design as seen in FIG. 1; and FIG. 7 is a bottom plan view of the design as seen in FIG. 1.
The broken lines in FIGS. 1-7 illustrate portions of the toolbox trolley and form no part of the claimed design.

1 Claim, 7 Drawing Sheets



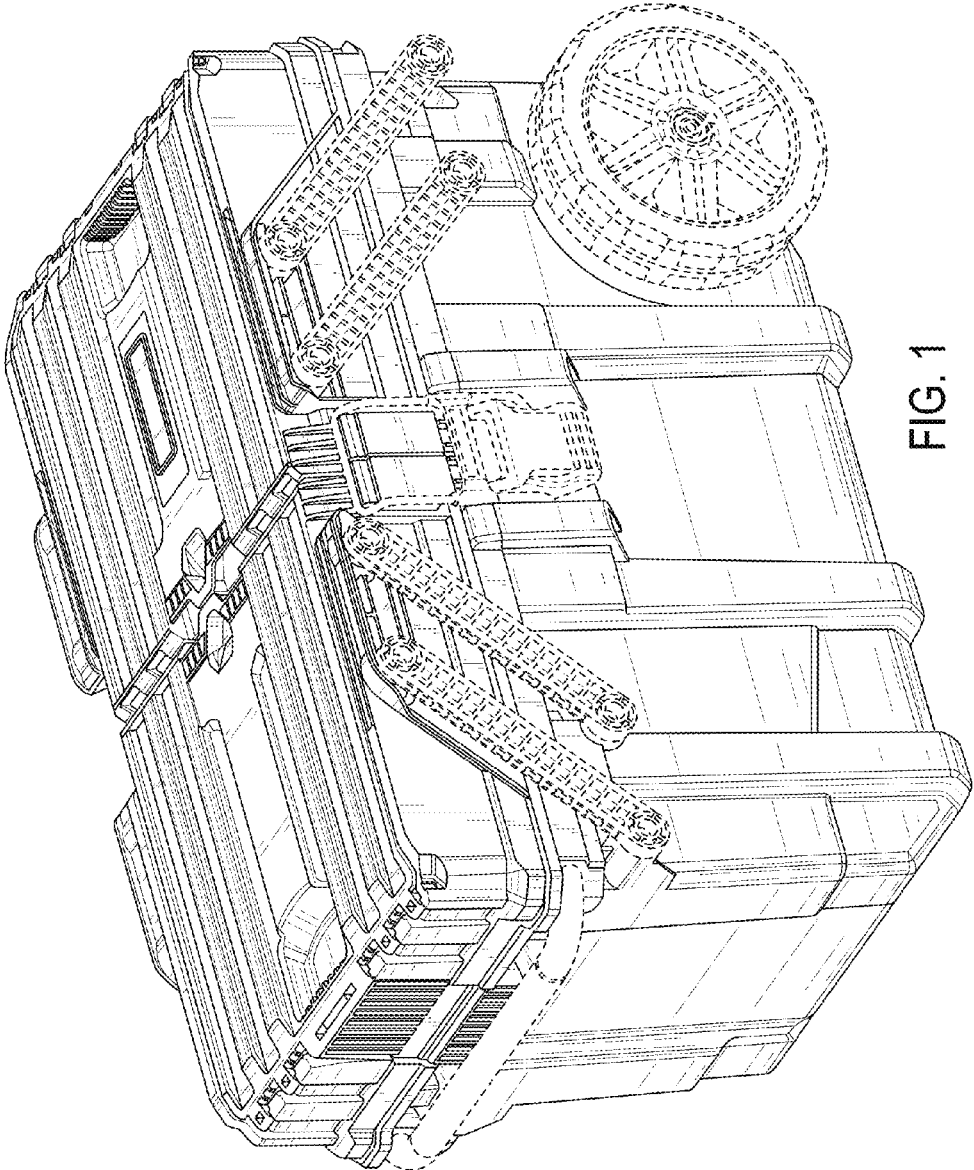


FIG. 1

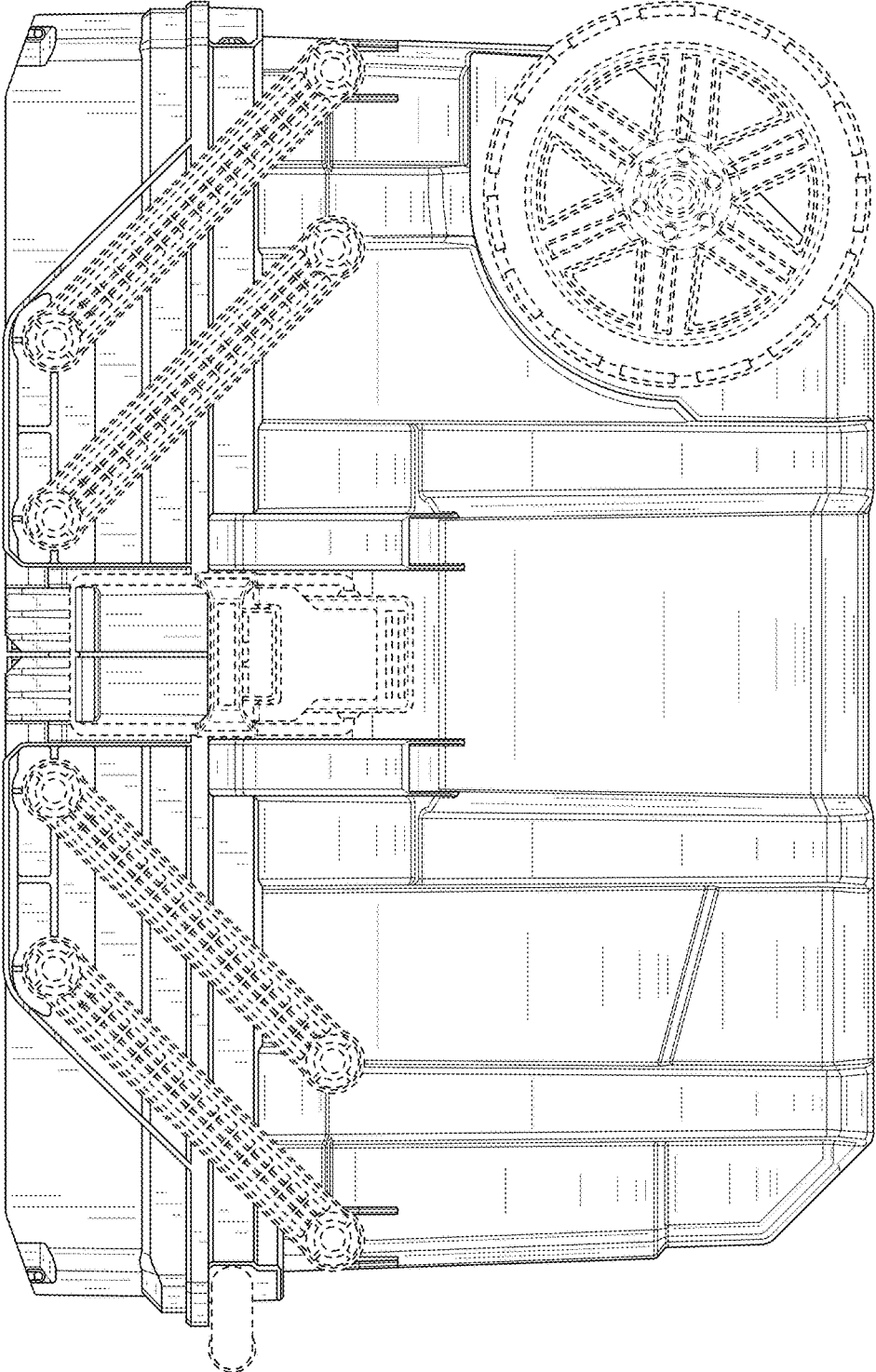


FIG. 2

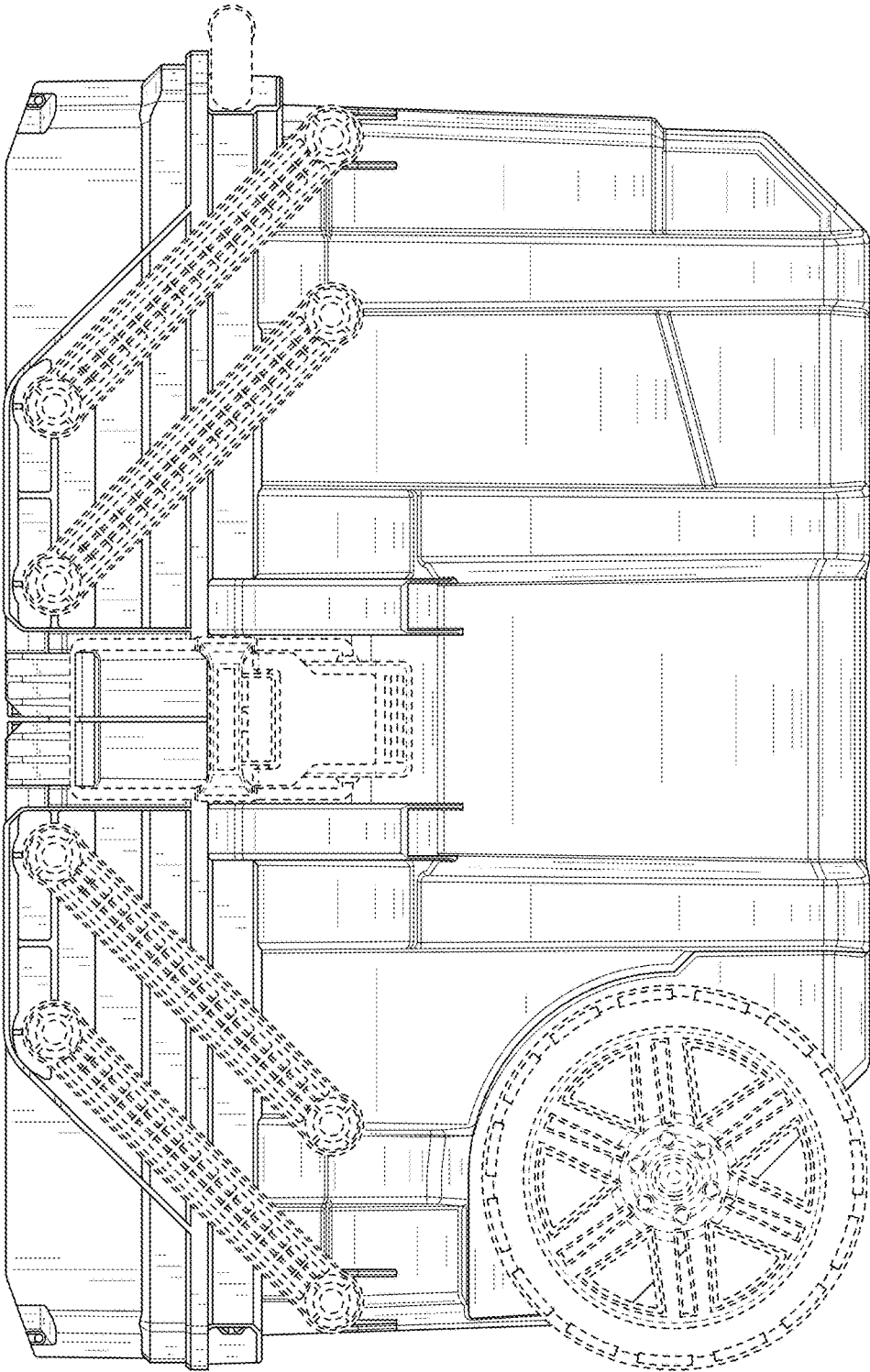


FIG. 3

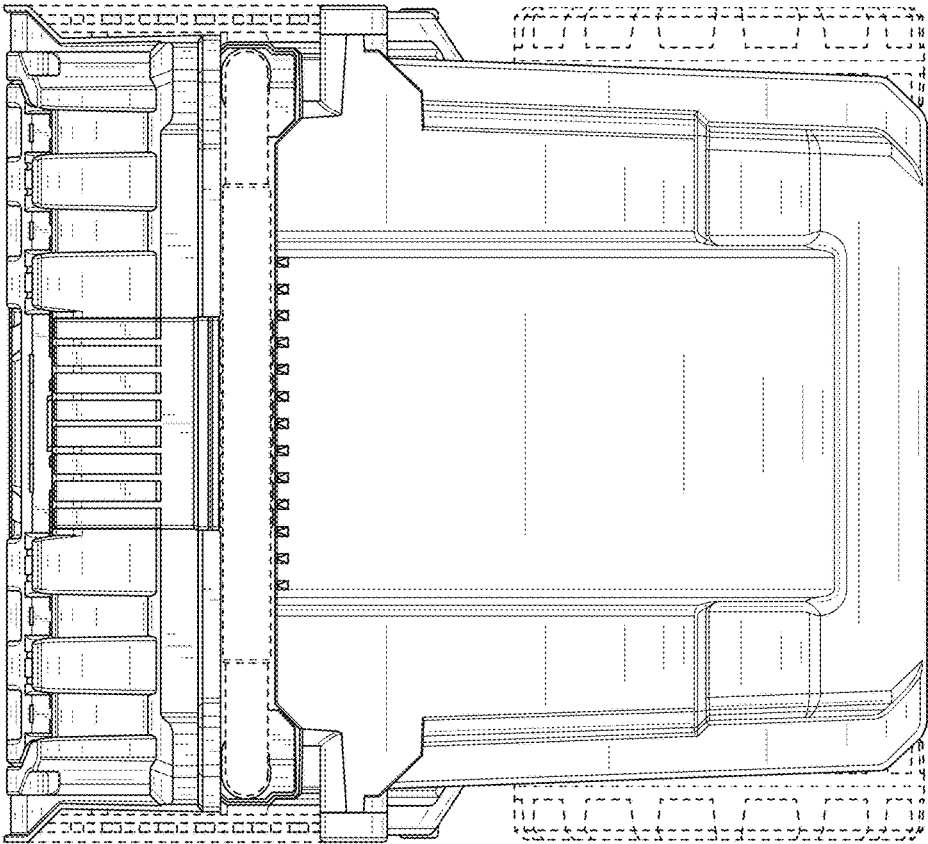


FIG. 4

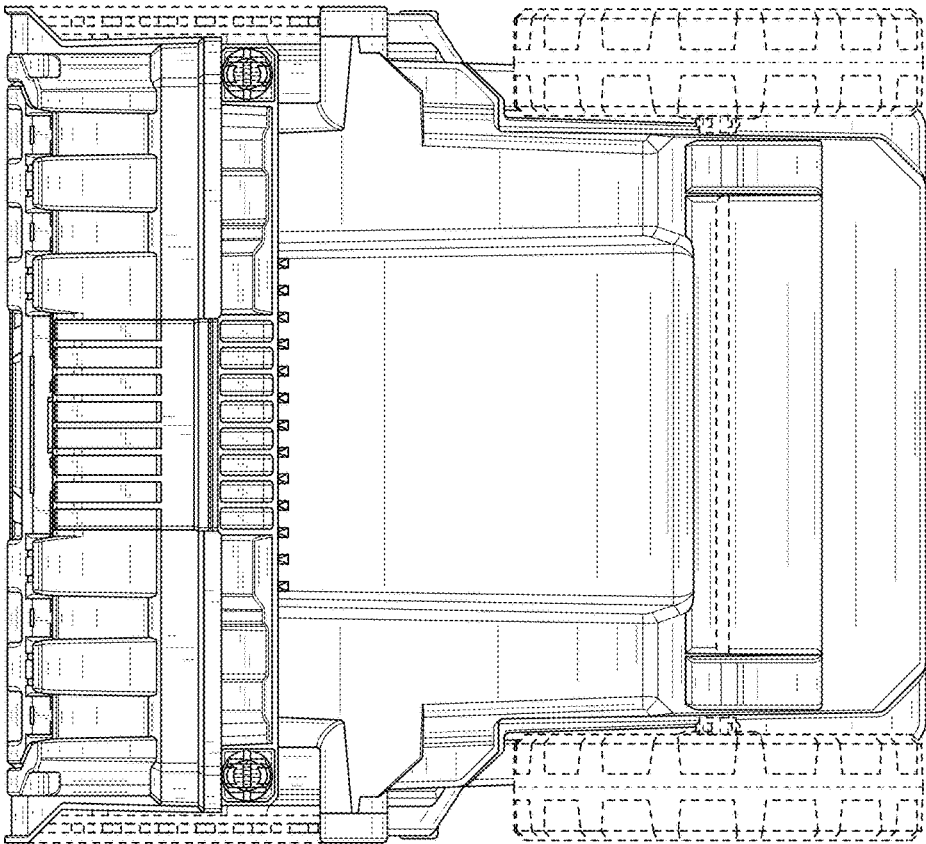


FIG. 5

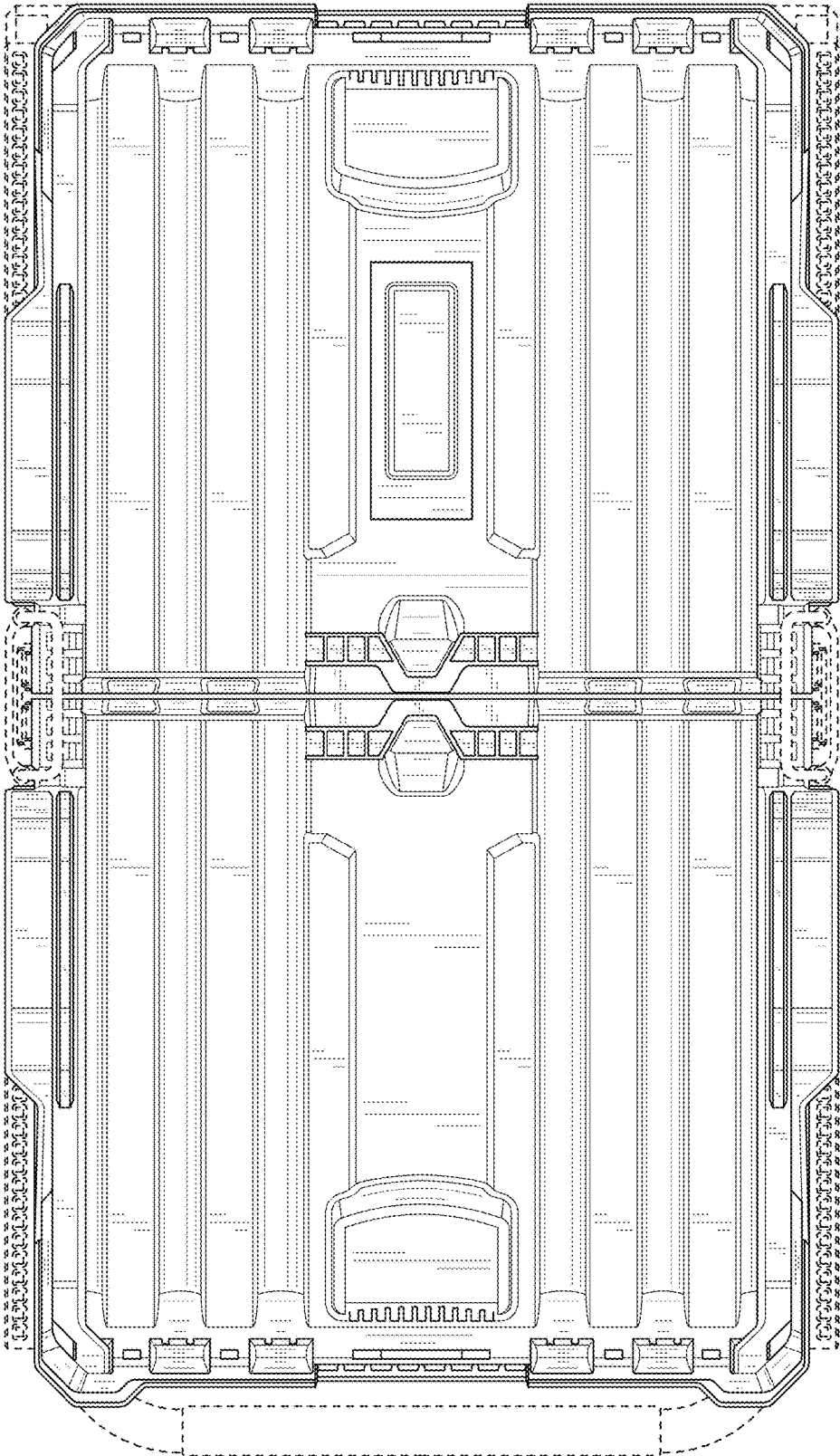


FIG. 6

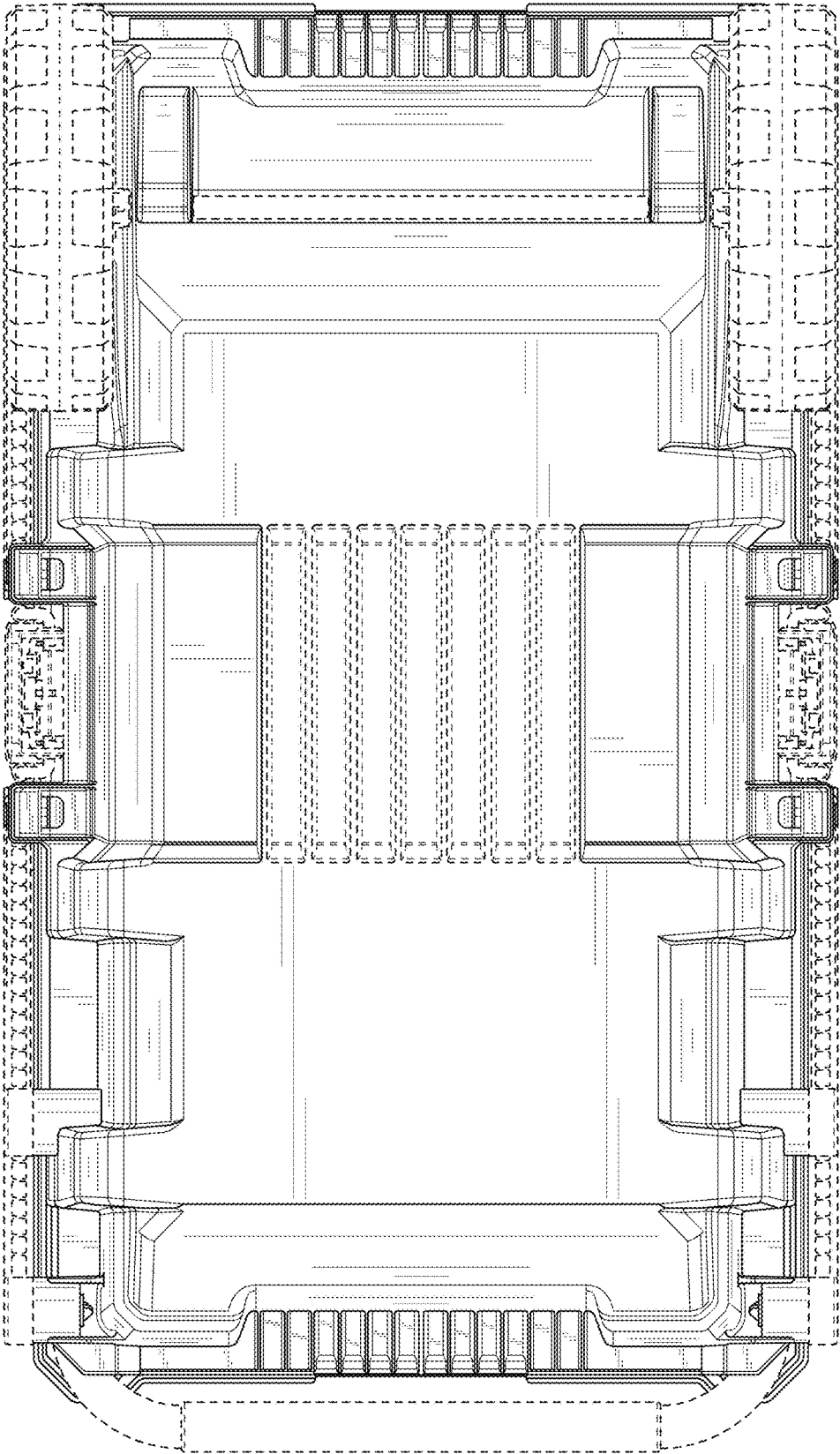


FIG. 7