



US00D366284S

United States Patent [19]

[11] Patent Number: **Des. 366,284**

Binkley

[45] Date of Patent: ****Jan. 16, 1996**

[54] **GAME BOARD WITH TRANSPARENT COVER**

[76] Inventor: **Dennis E. Binkley**, 1546 NW. Woodbine Way, Seattle, Wash. 98177

[**] Term: **14 Years**

[21] Appl. No.: **25,699**

[22] Filed: **Jul. 8, 1994**

[52] U.S. Cl. **D21/20**

[58] Field of Search D10/46.1; D21/14-36; 273/236-285

[56] **References Cited**

U.S. PATENT DOCUMENTS

- D. 138,378 7/1944 Martin, Jr. D21/27
- D. 237,290 10/1975 Hein D21/16
- D. 356,343 3/1995 Londono D21/25

OTHER PUBLICATIONS

World Wide Games 1991-92 p. 44 Peg Triangle Puzzle.

Primary Examiner—Sandra L. Morris

[57] **CLAIM**

The ornamental design for a game board with transparent cover, as shown and described.

DESCRIPTION

FIG. 1 is a perspective view of the game board, with transparent cover, showing my new design; the circular marbles are for illustrative purposes only and form no part of the claimed design;

FIG. 2 is a perspective view thereof, with the cover shown removed for clarity;

FIG. 3 is an enlarged front elevational view thereof, the other sides being mirror images thereof;

FIG. 4 is an enlarged corner side view thereof, the other corner side views being mirror images thereof;

FIG. 5 is an enlarged top plan view thereof; and,

FIG. 6 is an enlarged bottom plan view thereof.

1 Claim, 3 Drawing Sheets

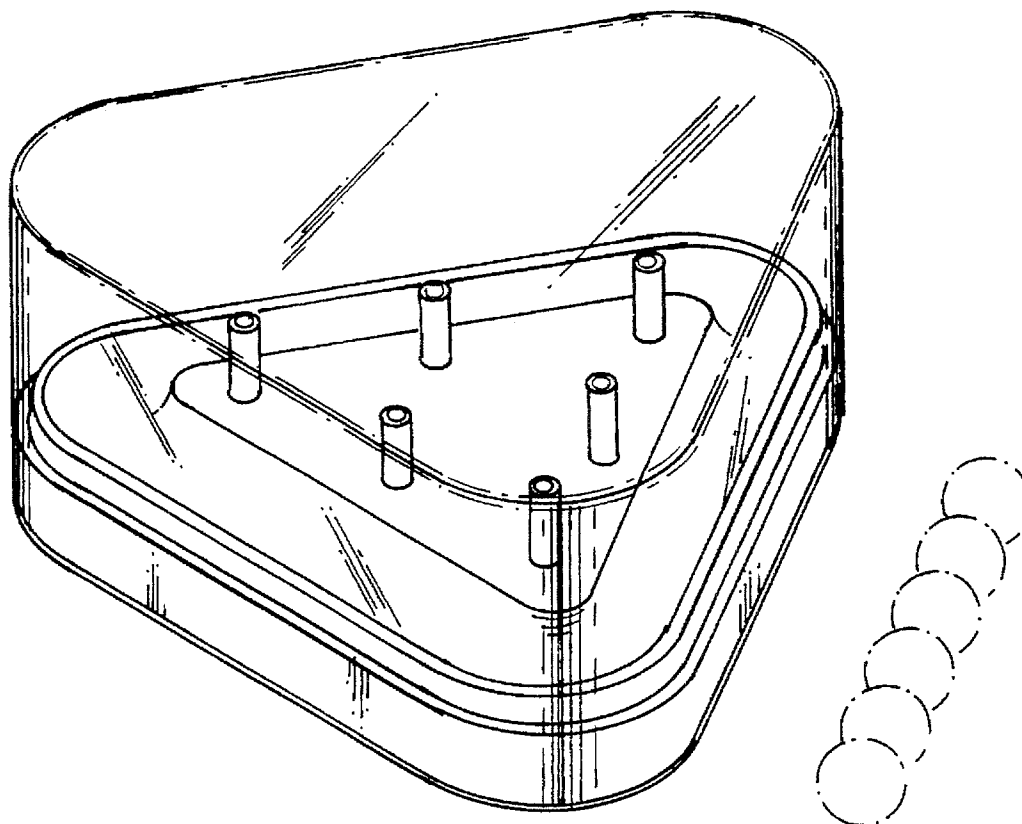


FIG. 1

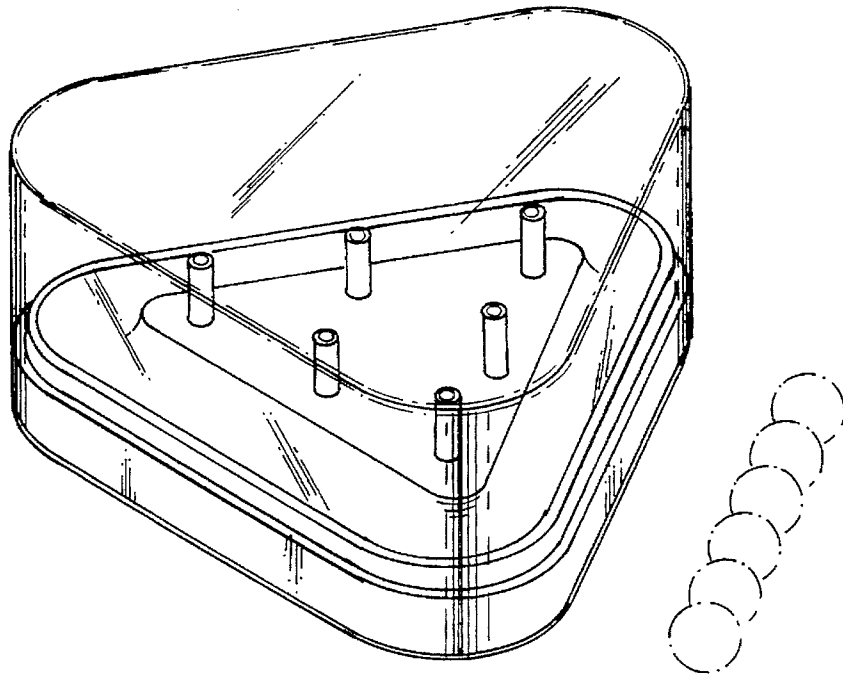
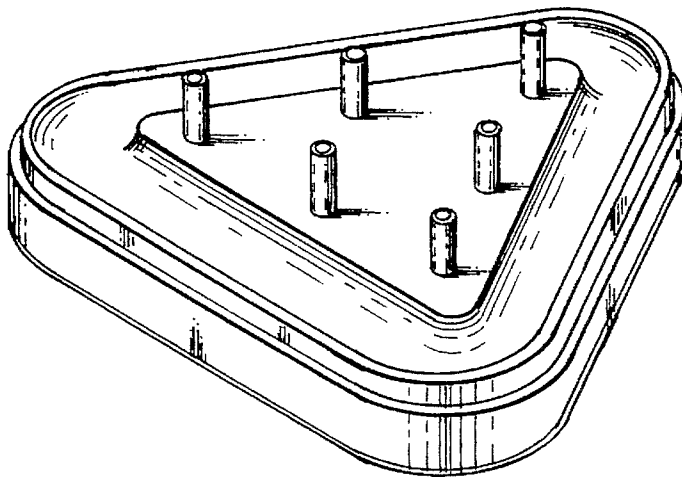


FIG. 2



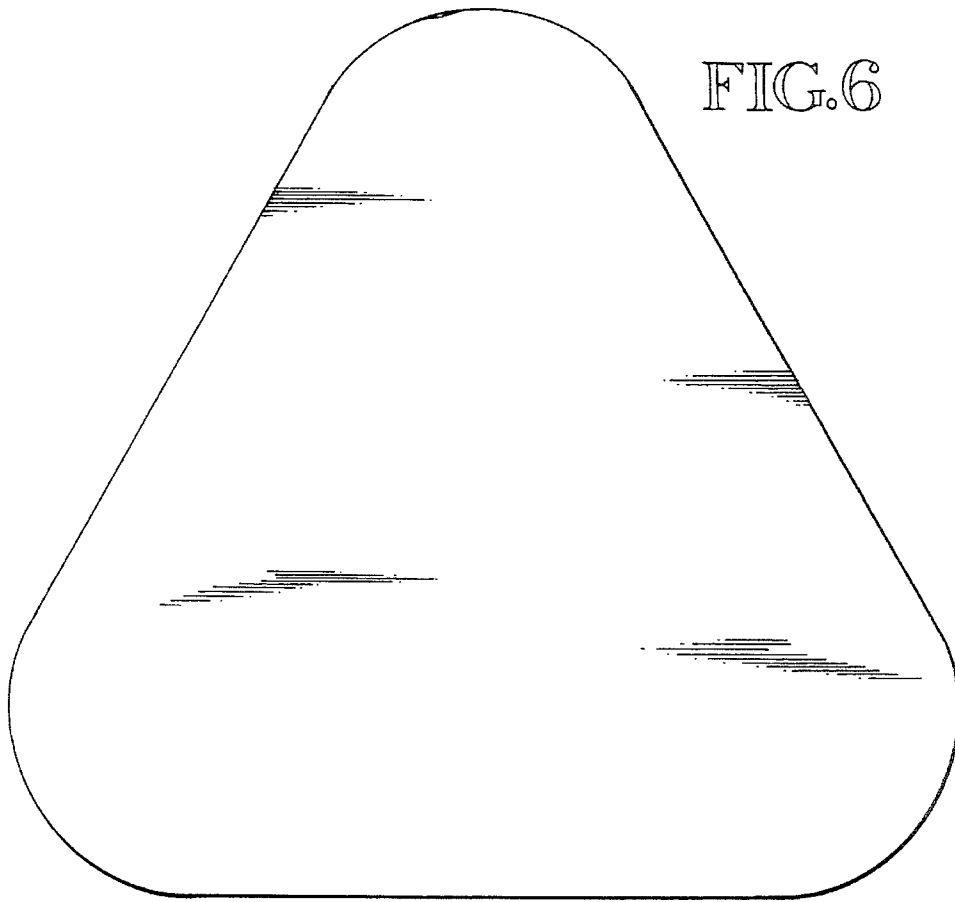


FIG. 3

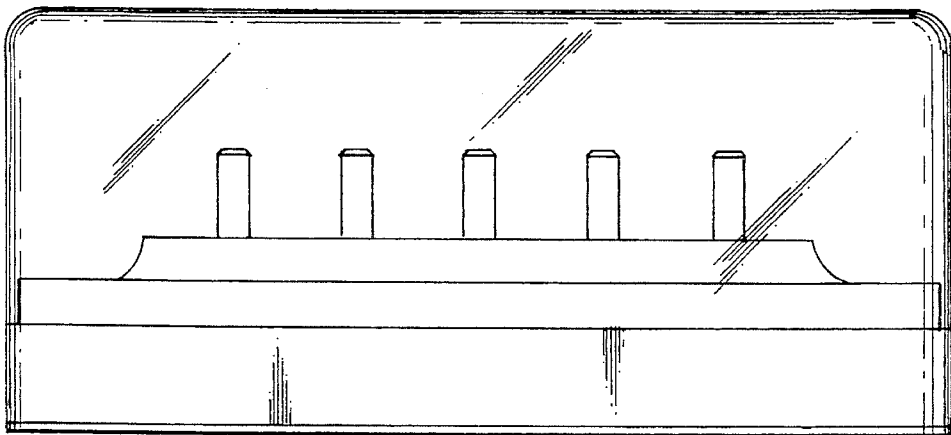


FIG. 4

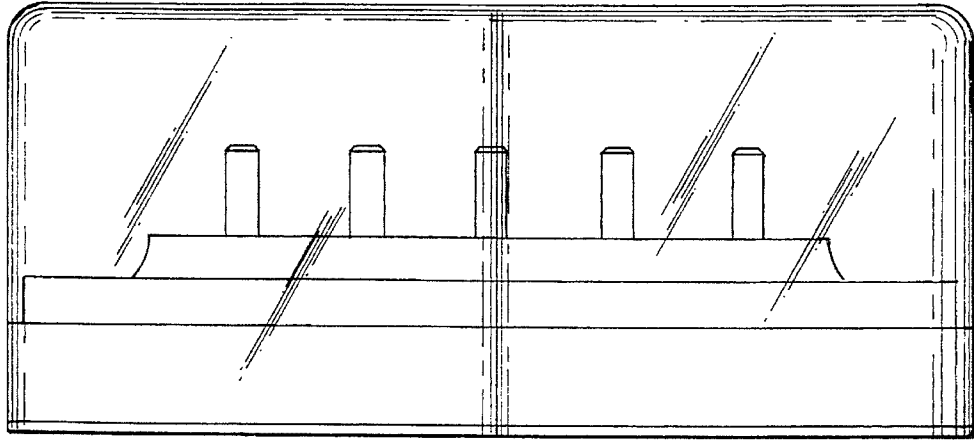


FIG. 5

