



US00D724797S

(12) **United States Design Patent**  
**Paculdo et al.**

(10) **Patent No.:** **US D724,797 S**

(45) **Date of Patent:** **\*\* Mar. 17, 2015**

- (54) **SCRATCH SLOPE PET TOY**
- (71) Applicant: **Worldwise, Inc.**, San Rafael, CA (US)
- (72) Inventors: **Sara Paculdo**, Novato, CA (US); **Lisa Davis-David**, Fairfax, CA (US); **Regina Chern**, Danville, CA (US); **Gregory Snyder**, Novato, CA (US)
- (73) Assignee: **Worldwise, Inc.**, San Rafael, CA (US)

(\*\*) Term: **14 Years**

(21) Appl. No.: **29/487,615**

(22) Filed: **Apr. 10, 2014**

(51) **LOC (10) Cl.** ..... **30-99**

(52) **U.S. Cl.**

USPC ..... **D30/160**

(58) **Field of Classification Search**

CPC ..... A01K 15/00; A01K 15/02; A01K 29/00;  
A36H 3/28; A63H 11/10; A63H 13/38;  
A63H 15/04; A63H 15/06; A63H 33/04;  
G09F 19/00

USPC ..... D30/160; 119/621, 702, 706-711

See application file for complete search history.

(56) **References Cited**

**U.S. PATENT DOCUMENTS**

- 3,159,141 A \* 12/1964 Paterek ..... 119/706
- 3,993,027 A \* 11/1976 Mullin ..... 119/706

- 4,112,873 A \* 9/1978 Van Zandt ..... 119/706
- D295,088 S \* 4/1988 O'Rourke ..... D30/160
- D440,717 S \* 4/2001 Fazio ..... 119/706
- D604,018 S \* 11/2009 Simpson et al. .... D30/160
- D627,113 S \* 11/2010 Seliskar ..... D30/160
- 7,867,143 B2 \* 1/2011 Fenger-Eriksen ..... 119/706
- 8,074,608 B1 \* 12/2011 Smith ..... 119/706
- D653,820 S \* 2/2012 Haaf ..... D30/160
- 8,418,655 B2 \* 4/2013 Yu ..... 119/706
- D696,821 S \* 12/2013 Haaf ..... D30/160
- 2008/0190377 A1 \* 8/2008 Clowder ..... 119/706

\* cited by examiner

*Primary Examiner* — Cathy A MacCormac

(74) *Attorney, Agent, or Firm* — Bay Area Technology Law Group PC

(57) **CLAIM**

The ornamental design for a scratch slope pet toy, as shown and described.

**DESCRIPTION**

FIG. 1 is a perspective view of a scratch slope pet toy showing my new design;

FIG. 2 is a right side view of FIG. 1;

FIG. 3 is a left side view of FIG. 1;

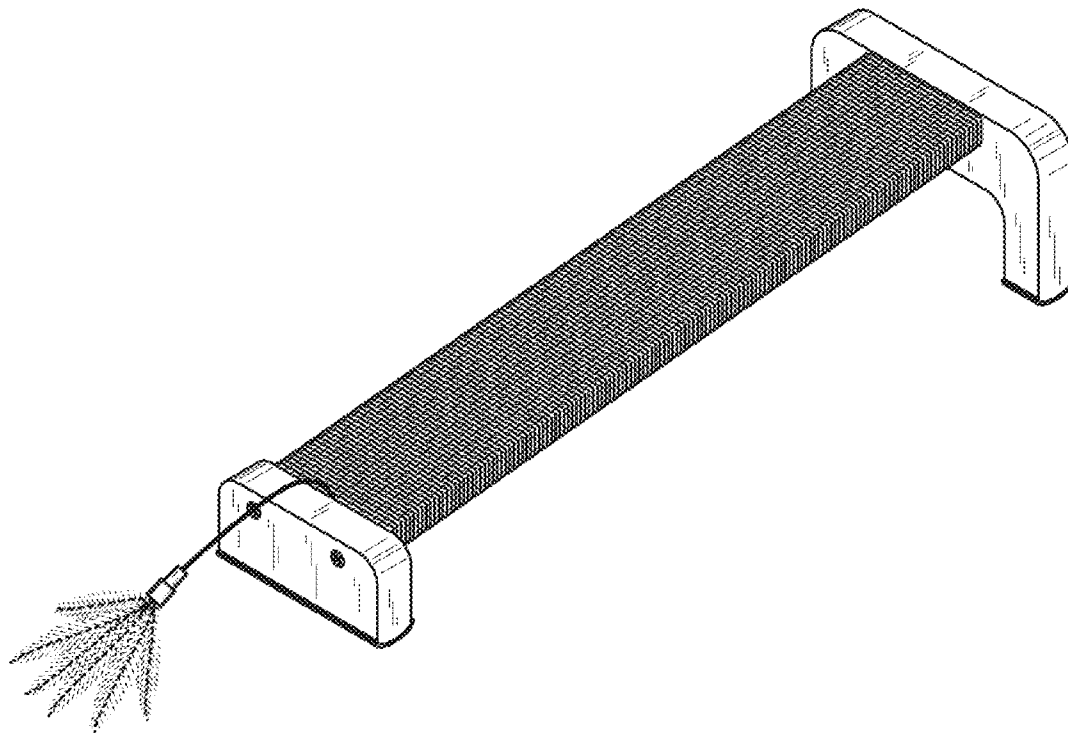
FIG. 4 is a top view of FIG. 1;

FIG. 5 is a bottom view of FIG. 1;

FIG. 6 is a rear view of FIG. 1; and,

FIG. 7 is a front view of FIG. 1.

**1 Claim, 2 Drawing Sheets**



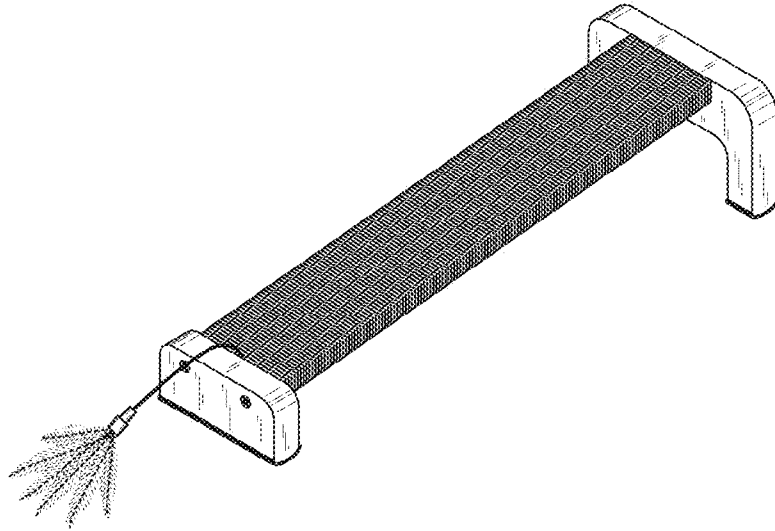


FIG. 1

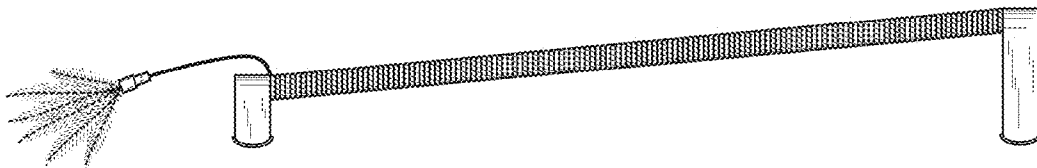


FIG. 2

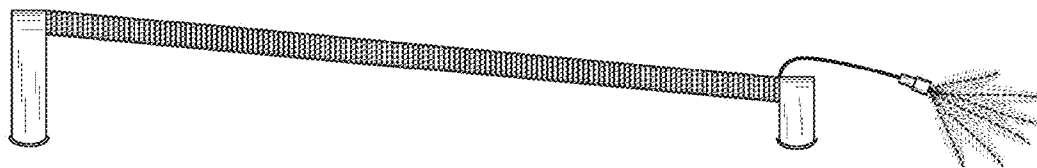


FIG. 3

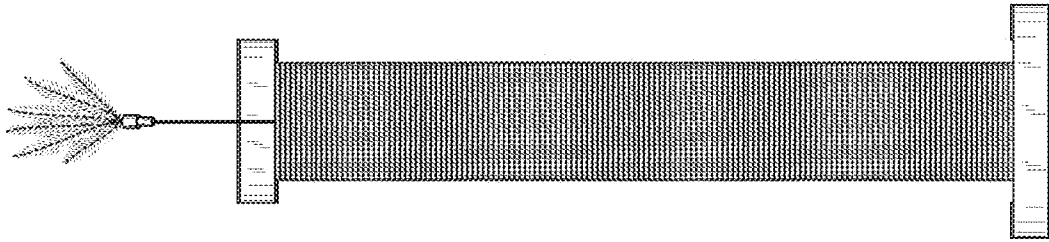


FIG. 4

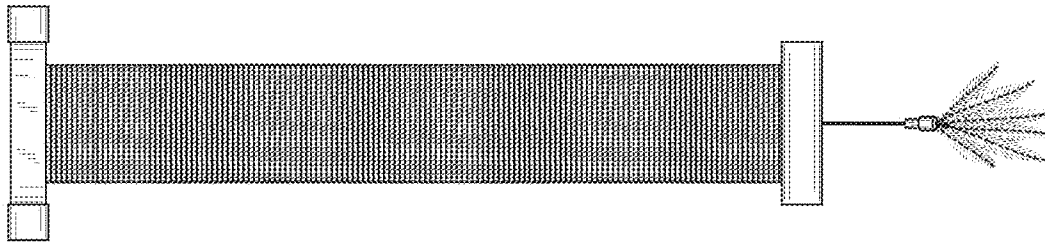


FIG. 5

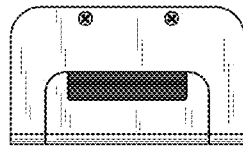


FIG. 6

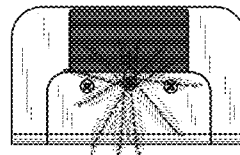


FIG. 7