



US00D596177S

(12) **United States Design Patent**
Steele et al.

(10) **Patent No.:** US D596,177 S

(45) **Date of Patent:** ** Jul. 14, 2009

(54) **BASE STATION**

(75) Inventors: **Susan S. Steele**, Atlanta, GA (US);
Tyler Wallis, San Antonio, TX (US);
Jerry O'Leary, Chicago, IL (US)

(73) Assignee: **AT&T Intellectual Property I, L.P.**,
Reno, NV (US)

(**) Term: **14 Years**

(21) Appl. No.: **29/302,372**

(22) Filed: **Jan. 15, 2008**

Related U.S. Application Data

(63) Continuation of application No. 29/281,640, filed on
Jun. 27, 2007, now abandoned.

(51) **LOC (9) Cl.** **14-02**

(52) **U.S. Cl.** **D14/358**

(58) **Field of Classification Search** D14/356,
D14/358, 432, 433, 137, 138, 140, 155, 188,
D14/217, 240, 299, 191; D13/110, 184;
439/488, 490, 901; 379/1.03, 38, 39, 42,
379/67.1, 88.17, 90.01, 93.01, 93.17, 142.07,
379/219, 220.01, 221.14, 221.15, 387.01,
379/397, 399.01, 419, 428.01, 457; 455/3.01,
455/3.05, 3.06, 426.1, 500, 73, 74, 556.1,
455/561, 575.1, 89, 91, 95, 130, 132, 344,
455/347, 899, FOR. 254

See application file for complete search history.

(56) **References Cited**

U.S. PATENT DOCUMENTS

D490,424	S	*	5/2004	Yamanashi	D14/358
D520,500	S	*	5/2006	Storti et al.	D14/358
D520,503	S	*	5/2006	Shimizu	D14/358
D561,750	S	*	2/2008	Liu et al.	D14/358
D562,814	S	*	2/2008	Liu et al.	D14/358
D566,115	S	*	4/2008	Swanson et al.	D14/358
D580,422	S	*	11/2008	Lee	D14/358
D583,367	S	*	12/2008	Chen	D14/358

* cited by examiner

Primary Examiner—Brian N Vinson

(57) **CLAIM**

The ornamental design for a base station, as shown and described.

DESCRIPTION

FIG. 1 is a perspective view of a base station showing our new design;

FIG. 2 is a top view thereof;

FIG. 3 is a rear view thereof;

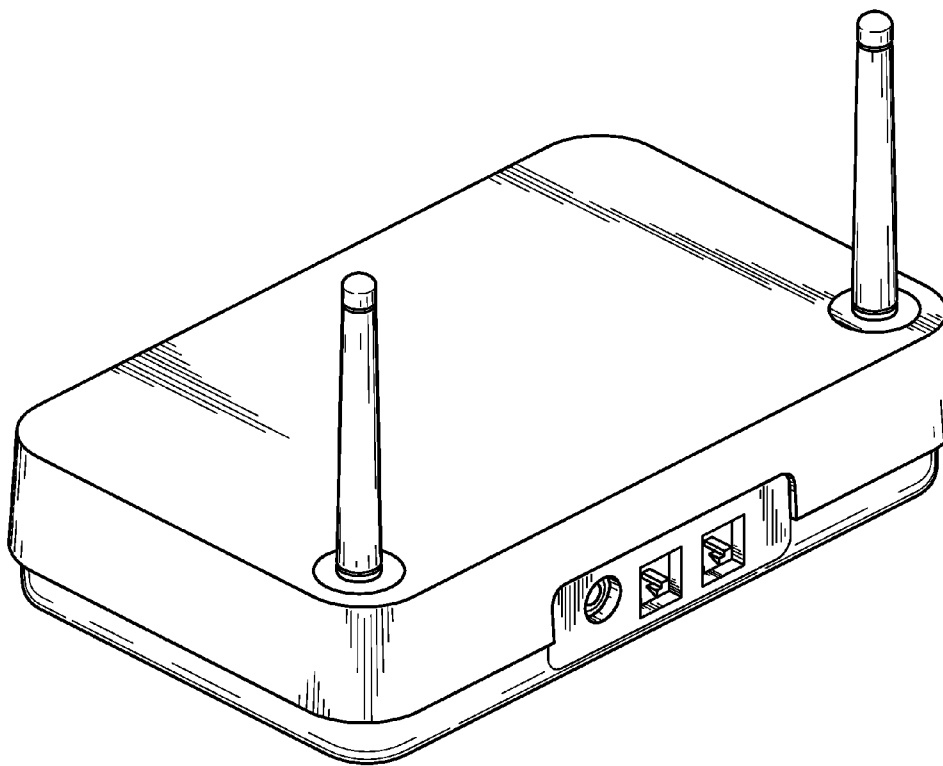
FIG. 4 is a bottom view thereof;

FIG. 5 is a front view thereof;

FIG. 6 is a left side view thereof; and,

FIG. 7 is a right side view thereof.

1 Claim, 7 Drawing Sheets



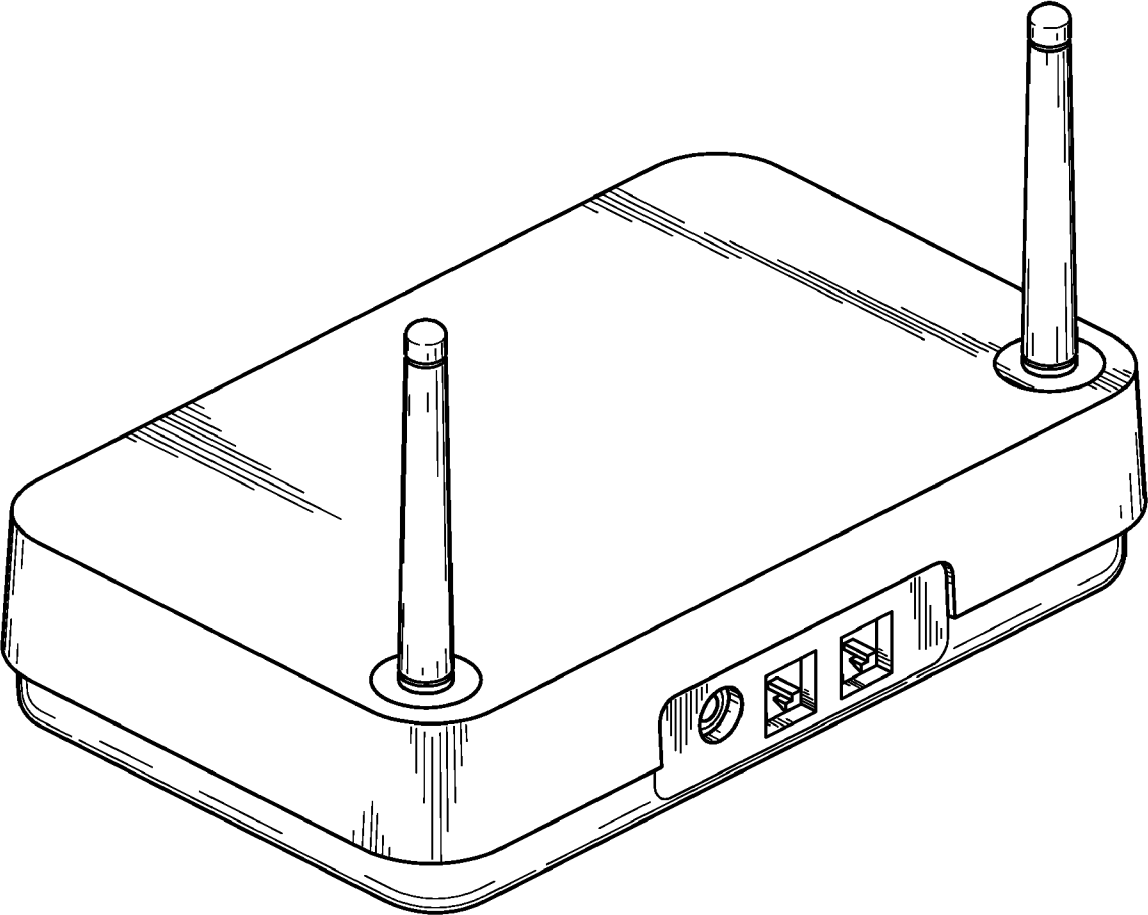


FIGURE 1

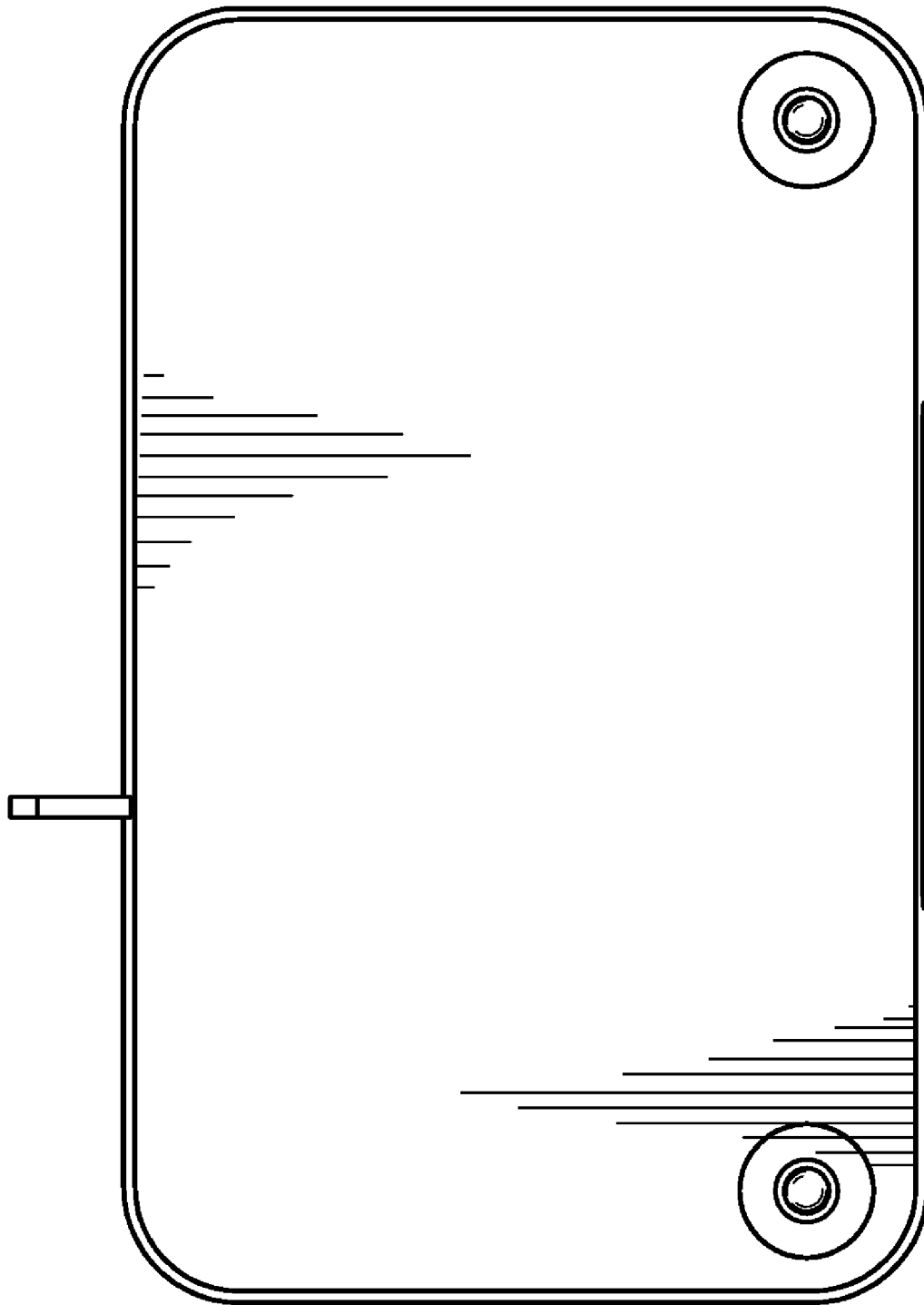


FIGURE 2

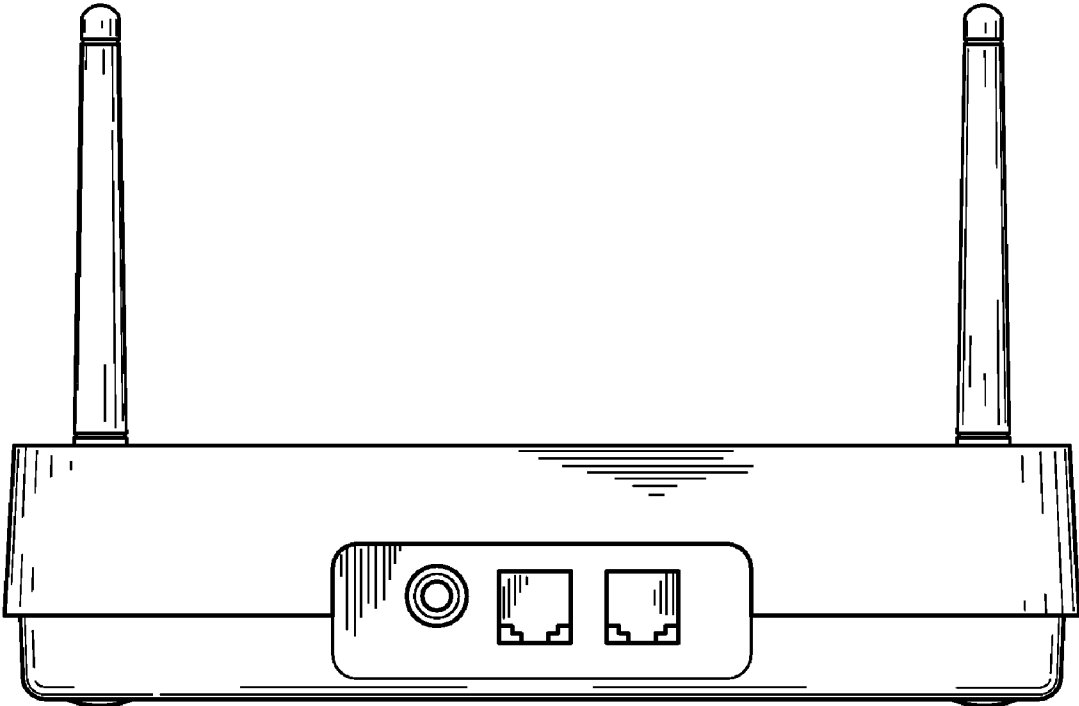


FIGURE 3

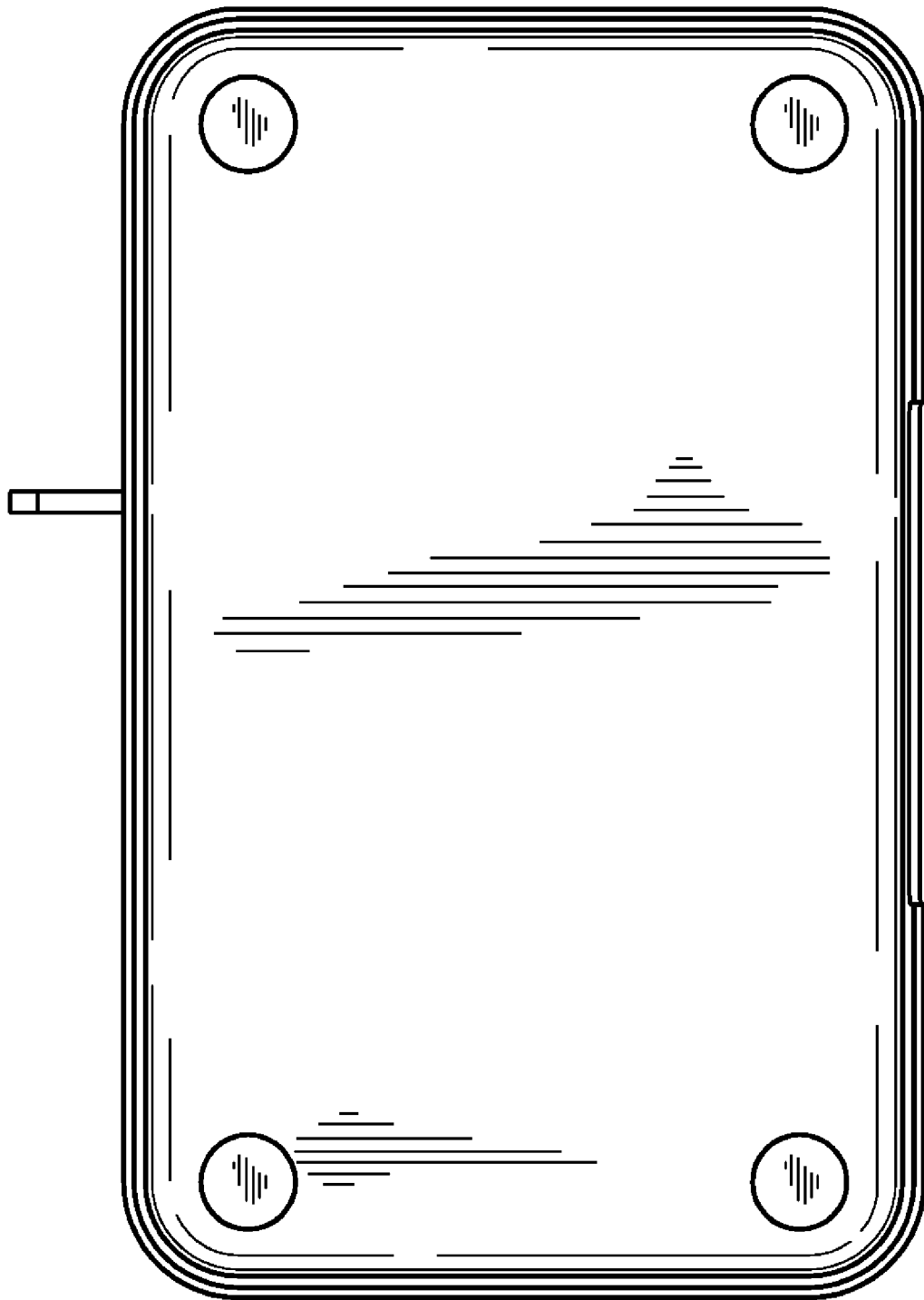


FIGURE 4

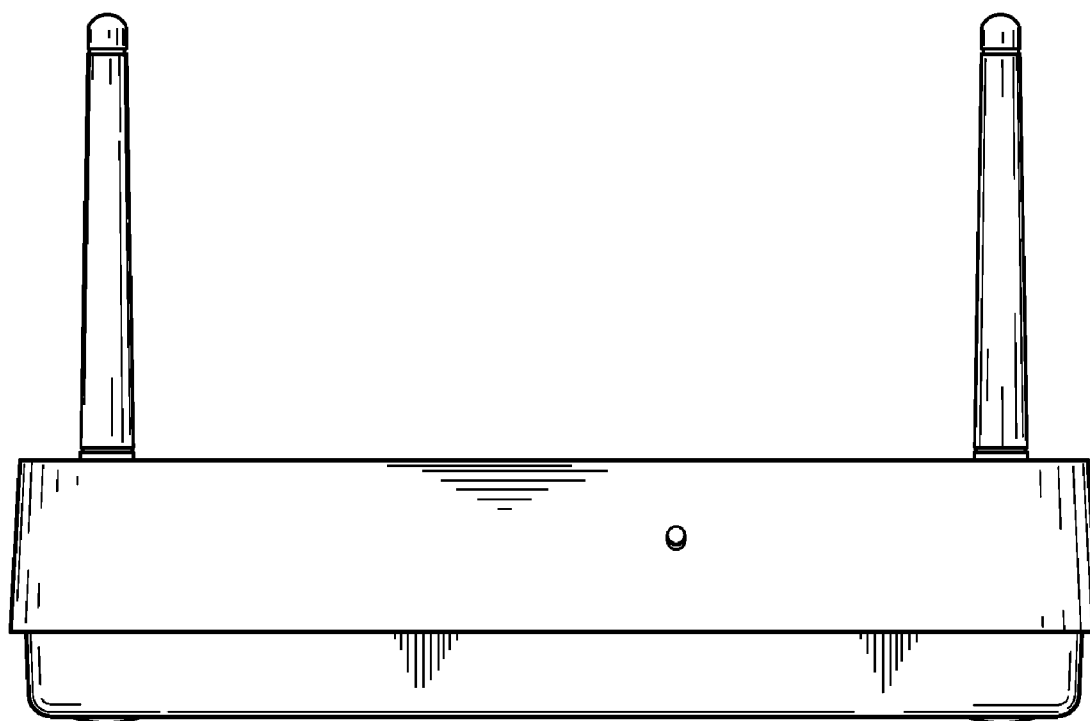


FIGURE 5

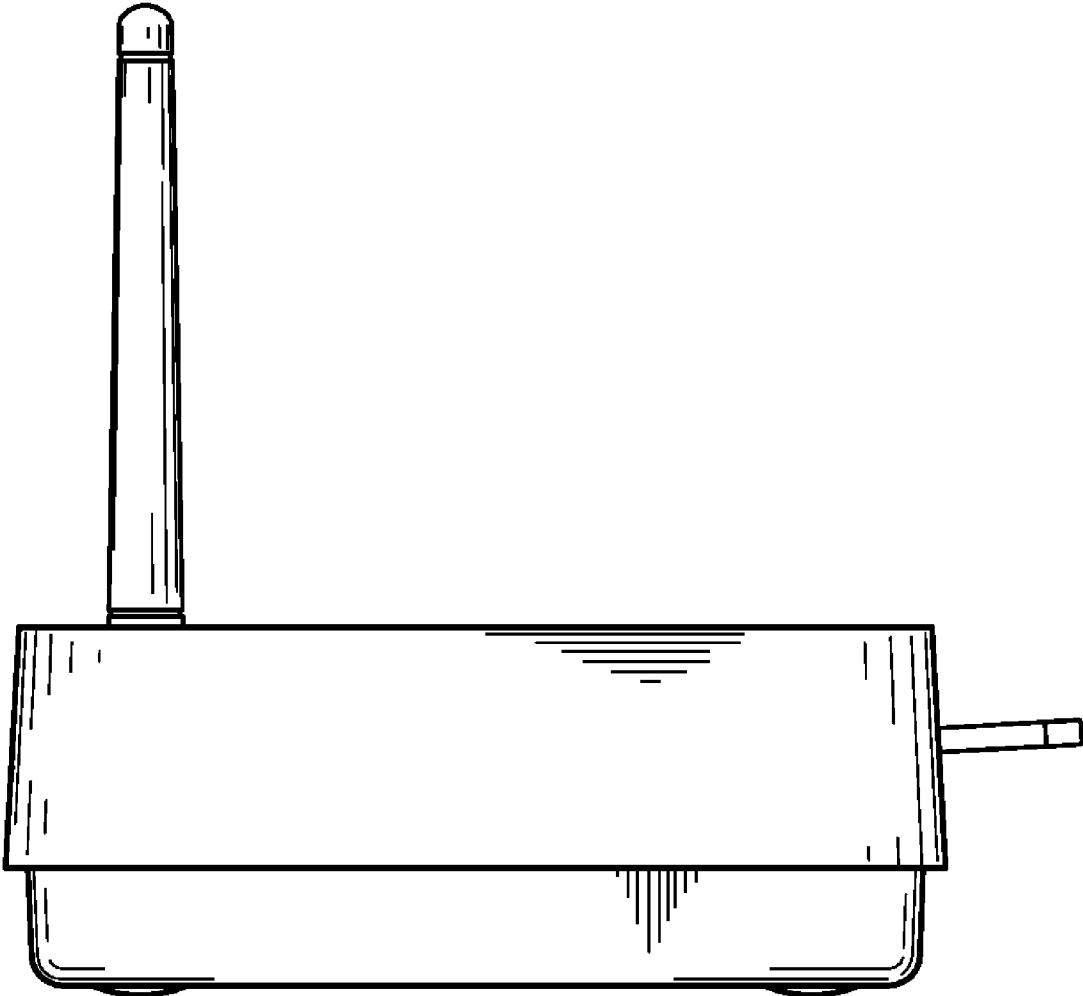


FIGURE 6

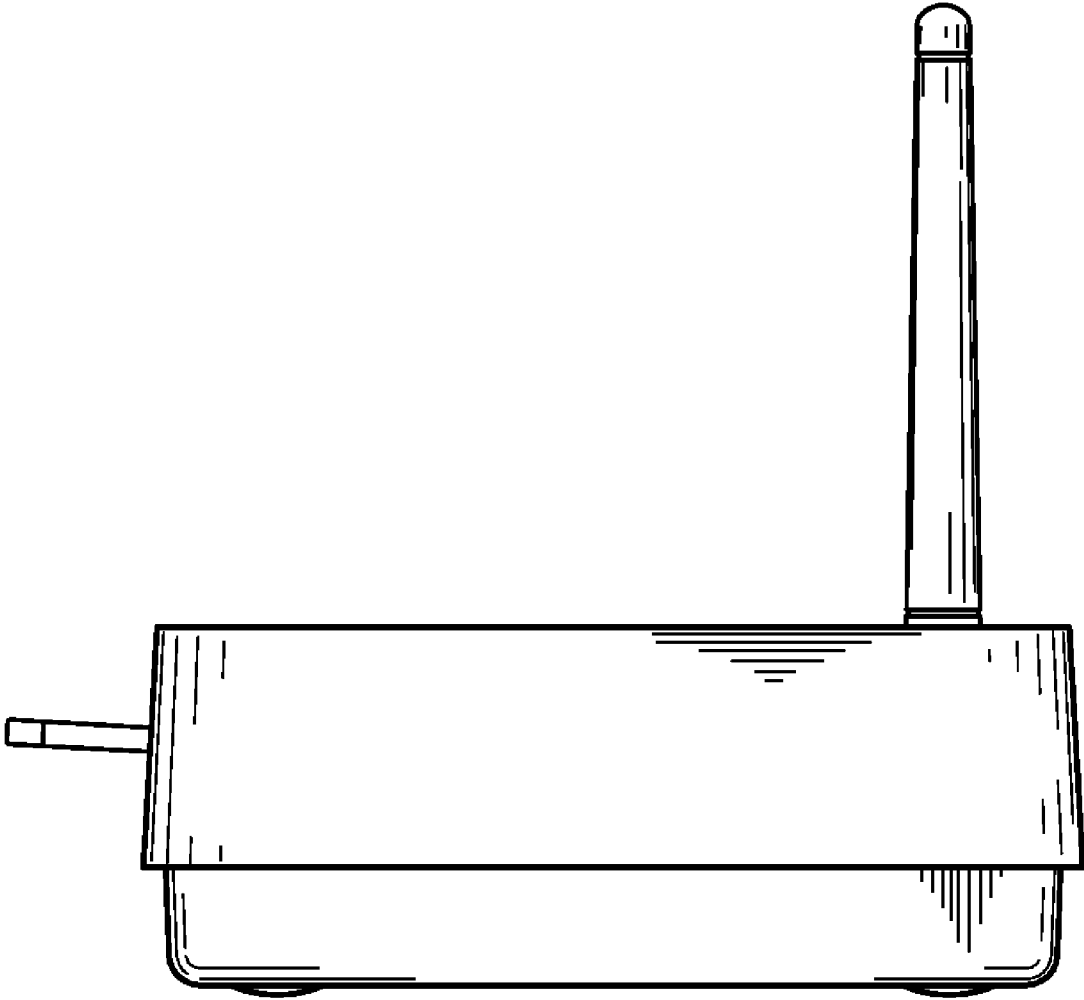


FIGURE 7