

(19) World Intellectual Property Organization
International Bureau



(43) International Publication Date
28 November 2002 (28.11.2002)

PCT

(10) International Publication Number
WO 02/094341 A3

- (51) International Patent Classification⁷: A61B 1/00
- (21) International Application Number: PCT/US02/15887
- (22) International Filing Date: 21 May 2002 (21.05.2002)
- (25) Filing Language: English
- (26) Publication Language: English
- (30) Priority Data:
60/292,419 21 May 2001 (21.05.2001) US
- (71) Applicant: SYNTHEON, LLC [US/US]; 8210 NW 27th Street, Miami, FL 33122 (US).

- (81) Designated States (*national*): AE, AG, AL, AM, AT, AU, AZ, BA, BB, BG, BR, BY, BZ, CA, CH, CN, CO, CR, CU, CZ, DE, DK, DM, DZ, EC, EE, ES, FI, GB, GD, GE, GH, GM, HR, HU, ID, IL, IN, IS, JP, KE, KG, KP, KR, KZ, LC, LK, LR, LS, LT, LU, LV, MA, MD, MG, MK, MN, MW, MX, MZ, NO, NZ, OM, PH, PL, PT, RO, RU, SD, SE, SG, SI, SK, SL, TJ, TM, TN, TR, TT, TZ, UA, UG, UZ, VN, YU, ZA, ZM, ZW.
- (84) Designated States (*regional*): ARIPO patent (GH, GM, KE, LS, MW, MZ, SD, SL, SZ, TZ, UG, ZM, ZW), Eurasian patent (AM, AZ, BY, KG, KZ, MD, RU, TJ, TM), European patent (AT, BE, CH, CY, DE, DK, ES, FI, FR, GB, GR, IE, IT, LU, MC, NL, PT, SE, TR), OAPI patent (BF, BJ, CF, CG, CI, CM, GA, GN, GQ, GW, ML, MR, NE, SN, TD, TG).

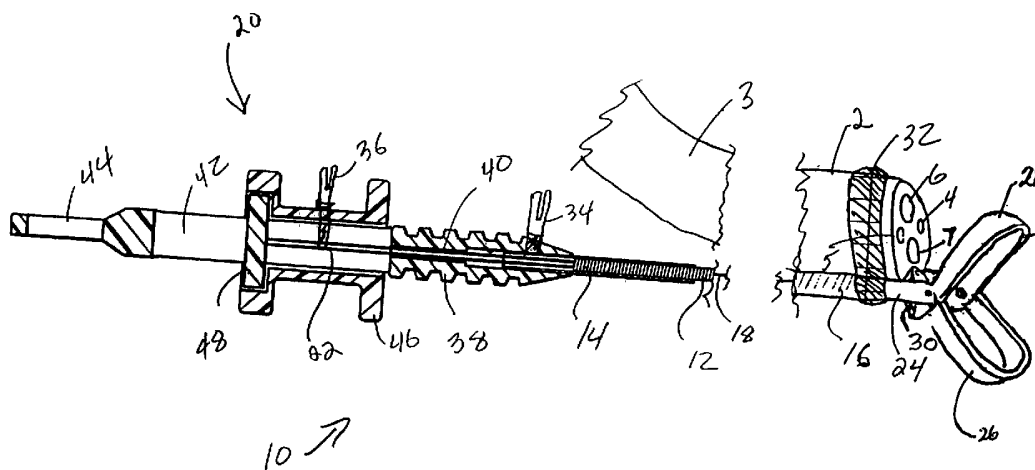
Published:
— with international search report

(88) Date of publication of the international search report:
10 April 2003

- (72) Inventors: SIXTO, Robert, Jr.; 8235 SW 99th Street, Miami, FL 33156 (US). KORTENBACH, Juergen, A.; 122 Pincrest Drive, Miami Springs, FL 33166 (US). MCBRAYER, Michael, Sean; 6160 Chapman Field Drive, Miami, FL 33156 (US).
- (74) Agents: GORDON, David, P. et al.; 65 Woods End Road, Stamford, CT 06905 (US).

For two-letter codes and other abbreviations, refer to the "Guidance Notes on Codes and Abbreviations" appearing at the beginning of each regular issue of the PCT Gazette.

(54) Title: SURGICAL TOOL FOR ATTACHING TO ENDOSCOPE



(57) Abstract: A surgical system includes an endoscope (3), a pair of end effectors (26,28) provided on the outside of the distal end of an endoscope (on-scope), in which one end effector is rotatable or otherwise movable relative to the second end effector and in which such movement is effected via control elements (18) which do not extend through a lumen of the endoscope, and another instrument extending through the lumen (7) of the endoscope (through-scope), and which preferably also has a pair of end effectors. The on-scope device may be clamping jaws, needle passers, clip appliers, staplers, and releasable hemoclips, among other end devices. The through-scope end effectors may be graspers and clip appliers, among other end effectors.



WO 02/094341 A3

INTERNATIONAL SEARCH REPORT

International application No.
PCT/US02/15887

A. CLASSIFICATION OF SUBJECT MATTER		
IPC(7) : A61B 1/00 US CL : 600/104		
According to International Patent Classification (IPC) or to both national classification and IPC		
B. FIELDS SEARCHED		
Minimum documentation searched (classification system followed by classification symbols) U.S. : 600/104, 106, 153; 606/139, 205, 51		
Documentation searched other than minimum documentation to the extent that such documents are included in the fields searched		
Electronic data base consulted during the international search (name of data base and, where practicable, search terms used)		
C. DOCUMENTS CONSIDERED TO BE RELEVANT		
Category *	Citation of document, with indication, where appropriate, of the relevant passages	Relevant to claim No.
X	US 5,817,013 A (GINN et al) 06 October 1998 (06.10.1998), entire document.	1, 5-11, 13, 16, 19, 24-30
X	US 6,071,233 A (ISHIKAWA et al) 06 June 2000 (06.06.2000), entire document.	1, 6, 9, 10, 13, 15, 16, 18, 26, 29-38
A, P	US 5,503,616 A (JONES) 02 April 1996 (02.04.1996), entire document.	1-44
X, E	US 6,352,503 B1 (MATSUI et al) 05 March 2002 (05.03.2002), entire document.	1, 2, 6, 7, 9, 11, 12, 13, 16, 30, 32
<input type="checkbox"/> Further documents are listed in the continuation of Box C. <input type="checkbox"/> See patent family annex.		
* Special categories of cited documents:		
"A"	document defining the general state of the art which is not considered to be of particular relevance	"T" later document published after the international filing date or priority date and not in conflict with the application but cited to understand the principle or theory underlying the invention
"B"	earlier application or patent published on or after the international filing date	"X" document of particular relevance; the claimed invention cannot be considered novel or cannot be considered to involve an inventive step when the document is taken alone
"L"	document which may throw doubts on priority claim(s) or which is cited to establish the publication date of another citation or other special reason (as specified)	"Y" document of particular relevance; the claimed invention cannot be considered to involve an inventive step when the document is combined with one or more other such documents, such combination being obvious to a person skilled in the art
"O"	document referring to an oral disclosure, use, exhibition or other means	"&" document member of the same patent family
"P"	document published prior to the international filing date but later than the priority date claimed	
Date of the actual completion of the international search		Date of mailing of the international search report
06 August 2002 (06.08.2002)		13 DEC 2002
Name and mailing address of the ISA/US Commissioner of Patents and Trademarks Box PCT Washington, D.C. 20231 Facsimile No. (703)305-3230		Authorized officer <i>Linda Dvorak</i> Telephone No. (703) 308-0858