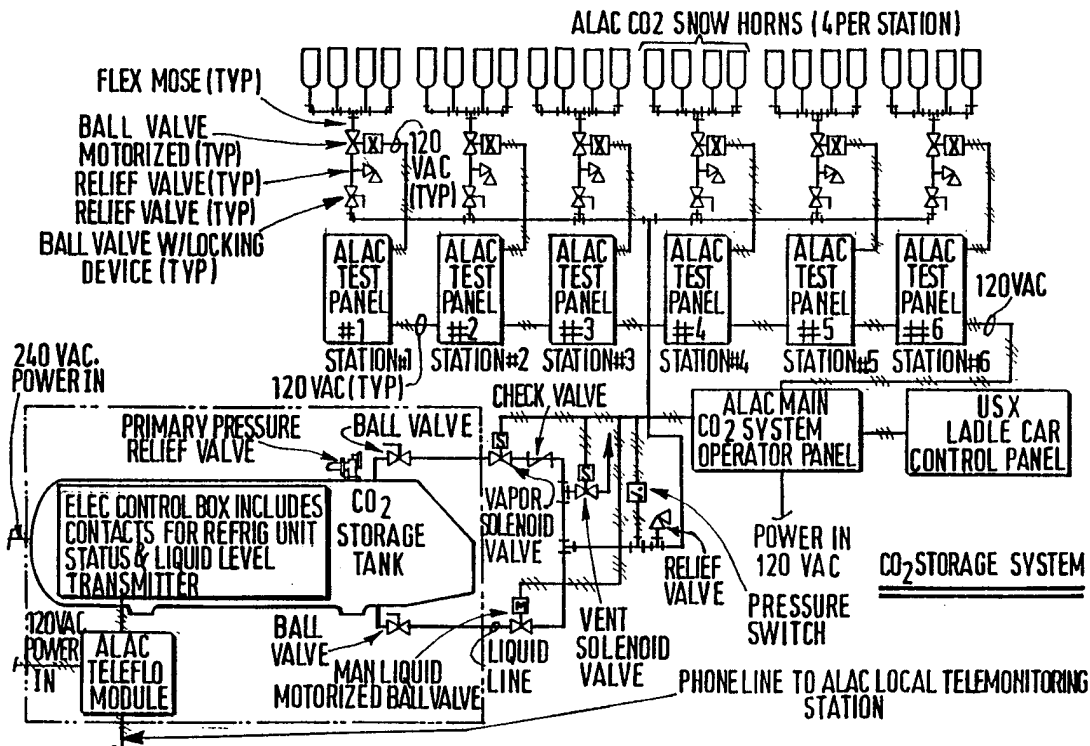




<p>(51) International Patent Classification ⁶ : C21C 7/00, C21B 7/14, C21C 1/06</p>	<p>A3</p>	<p>(11) International Publication Number: WO 98/21373 (43) International Publication Date: 22 May 1998 (22.05.98)</p>
<p>(21) International Application Number: PCT/EP97/06938 (22) International Filing Date: 3 November 1997 (03.11.97) (30) Priority Data: 08/746,310 8 November 1996 (08.11.96) US (71) Applicant (for all designated States except US): L'AIR LIQUIDE, SOCIETE ANONYME POUR L'ETUDE ET L'EXPLOITATION DES PROCEDES GEORGES CLAUDE [FR/FR]; 75, quai d'Orsay, F-75321 Paris Cedex 07 (FR). (72) Inventors; and (75) Inventors/Applicants (for US only): FUENDERS, Dieter [DE/DE]; Halenerstrasse 61, D-47198 Duisburg 17 (DE). WINTER, Harald [DE/DE]; Viktoriastrasse 72, D-41061 Moenchengladbach (DE). (74) Common Representative: L'AIR LIQUIDE, SOCIETE ANONYME POUR L'ETUDE ET L'EXPLOITATION DES PROCEDES GEORGES CLAUDE; 75, quai d'Orsay, F-75321 Paris Cedex 07 (FR).</p>	<p>(81) Designated States: AL, AM, AT, AU, AZ, BA, BB, BG, BR, BY, CA, CH, CN, CU, CZ, DE, DK, EE, ES, FI, GB, GE, GH, HU, IL, IS, JP, KE, KG, KP, KR, KZ, LC, LK, LR, LS, LT, LU, LV, MD, MG, MK, MN, MW, MX, NO, NZ, PL, PT, RO, RU, SD, SE, SG, SI, SK, SL, TJ, TM, TR, TT, UA, UG, US, UZ, VN, YU, ZW, ARIPO patent (GH, KE, LS, MW, SD, SZ, UG, ZW), Eurasian patent (AM, AZ, BY, KG, KZ, MD, RU, TJ, TM), European patent (AT, BE, CH, DE, DK, ES, FI, FR, GB, GR, IE, IT, LU, MC, NL, PT, SE), OAPI patent (BF, BJ, CF, CG, CI, CM, GA, GN, ML, MR, NE, SN, TD, TG). Published With international search report. In English translation (filed in Finnish). (88) Date of publication of the international search report: 20 August 1998 (20.08.98)</p>	

(54) Title: PROCESS FOR REDUCING FUME EMISSIONS DURING MOLTEN METAL TRANSFER



(57) Abstract

A process for reducing fume, dust and/or smoke emission in transferring molten metal, entailing: a) blanketing molten metal, preferably steel or iron with, at least, solid carbon dioxide; and b) allowing the carbon dioxide to sublime, thereby restricting free air access to the molten metal, and reducing fume, dust and/or smoke emission therefrom.

FOR THE PURPOSES OF INFORMATION ONLY

Codes used to identify States party to the PCT on the front pages of pamphlets publishing international applications under the PCT.

AL	Albania	ES	Spain	LS	Lesotho	SI	Slovenia
AM	Armenia	FI	Finland	LT	Lithuania	SK	Slovakia
AT	Austria	FR	France	LU	Luxembourg	SN	Senegal
AU	Australia	GA	Gabon	LV	Latvia	SZ	Swaziland
AZ	Azerbaijan	GB	United Kingdom	MC	Monaco	TD	Chad
BA	Bosnia and Herzegovina	GE	Georgia	MD	Republic of Moldova	TG	Togo
BB	Barbados	GH	Ghana	MG	Madagascar	TJ	Tajikistan
BE	Belgium	GN	Guinea	MK	The former Yugoslav Republic of Macedonia	TM	Turkmenistan
BF	Burkina Faso	GR	Greece			TR	Turkey
BG	Bulgaria	HU	Hungary	ML	Mali	TT	Trinidad and Tobago
BJ	Benin	IE	Ireland	MN	Mongolia	UA	Ukraine
BR	Brazil	IL	Israel	MR	Mauritania	UG	Uganda
BY	Belarus	IS	Iceland	MW	Malawi	US	United States of America
CA	Canada	IT	Italy	MX	Mexico	UZ	Uzbekistan
CF	Central African Republic	JP	Japan	NE	Niger	VN	Viet Nam
CG	Congo	KE	Kenya	NL	Netherlands	YU	Yugoslavia
CH	Switzerland	KG	Kyrgyzstan	NO	Norway	ZW	Zimbabwe
CI	Côte d'Ivoire	KP	Democratic People's Republic of Korea	NZ	New Zealand		
CM	Cameroon			PL	Poland		
CN	China	KR	Republic of Korea	PT	Portugal		
CU	Cuba	KZ	Kazakstan	RO	Romania		
CZ	Czech Republic	LC	Saint Lucia	RU	Russian Federation		
DE	Germany	LI	Liechtenstein	SD	Sudan		
DK	Denmark	LK	Sri Lanka	SE	Sweden		
EE	Estonia	LR	Liberia	SG	Singapore		

INTERNATIONAL SEARCH REPORT

Int. lional Application No
PCT/EP 97/06938

A. CLASSIFICATION OF SUBJECT MATTER
 IPC 6 C21C7/00 C21B7/14 C21C1/06

According to International Patent Classification (IPC) or to both national classification and IPC

B. FIELDS SEARCHED
 Minimum documentation searched (classification system followed by classification symbols)
 IPC 6 C21C C21B F27D

Documentation searched other than minimum documentation to the extent that such documents are included in the fields searched

Electronic data base consulted during the international search (name of data base and, where practical, search terms used)

C. DOCUMENTS CONSIDERED TO BE RELEVANT

Category *	Citation of document, with indication, where appropriate, of the relevant passages	Relevant to claim No.
X	EP 0 383 184 A (INTRACON HANDEL) 22 August 1990 see the whole document ---	1-27
X	EP 0 544 967 A (CARBAGAS ;VON ROLL AG (CH)) 9 June 1993 see abstract; claims; figures ---	1-27
X	EP 0 639 650 A (COMMW IND GASES) 22 February 1995 see the whole document ---	1-27
A	EP 0 071 359 A (USS ENGINEERS AND CONSULTANTS) 9 February 1983 see abstract; claims; figures ---	1-27
	-/--	

Further documents are listed in the continuation of box C.

Patent family members are listed in annex.

* Special categories of cited documents :

- "A" document defining the general state of the art which is not considered to be of particular relevance
- "E" earlier document but published on or after the international filing date
- "L" document which may throw doubts on priority claim(s) or which is cited to establish the publication date of another citation or other special reason (as specified)
- "O" document referring to an oral disclosure, use, exhibition or other means
- "P" document published prior to the international filing date but later than the priority date claimed

- "T" later document published after the international filing date or priority date and not in conflict with the application but cited to understand the principle or theory underlying the invention
- "X" document of particular relevance; the claimed invention cannot be considered novel or cannot be considered to involve an inventive step when the document is taken alone
- "Y" document of particular relevance; the claimed invention cannot be considered to involve an inventive step when the document is combined with one or more other such documents, such combination being obvious to a person skilled in the art.
- "&" document member of the same patent family

Date of the actual completion of the international search 9 June 1998	Date of mailing of the international search report 17/06/1998
---	---

Name and mailing address of the ISA European Patent Office, P.B. 5818 Patentlaan 2 NL - 2280 HV Rijswijk Tel. (+31-70) 340-2040, Tx. 31 651 epo nl, Fax: (+31-70) 340-3016	Authorized officer Oberwalleney, R
--	--

INTERNATIONAL SEARCH REPORT

International Application No
PCT/EP 97/06938

C.(Continuation) DOCUMENTS CONSIDERED TO BE RELEVANT		
Category	Citation of document, with indication, where appropriate, of the relevant passages	Relevant to claim No.
A	FR 2 607 829 A (COOTEC DEUTSCHLAND GMBH) 10 June 1988 see abstract; claims; figures -----	1
A	US 4 666 511 A (NAUD JEAN-MICHAEL) 19 May 1987 see abstract; claims; figures -----	1

INTERNATIONAL SEARCH REPORT

Information on patent family members

International Application No

PCT/EP 97/06938

Patent document cited in search report	A	Publication date	Patent family member(s)	Publication date
EP 0383184	A	22-08-1990	DE 3904415 C	26-04-1990
			CA 2010040 A	14-08-1990
			DE 59005658 D	16-06-1994
			ES 2052985 T	16-07-1994
			JP 2282409 A	20-11-1990
			US 5683652 A	04-11-1997
EP 0544967	A	09-06-1993	AT 123816 T	15-06-1995
			DE 59105739 D	20-07-1995
			DK 544967 T	16-10-1995
			ES 2076504 T	01-11-1995
			JP 1982543 C	25-10-1995
			JP 6212235 A	02-08-1994
			JP 7011022 B	08-02-1995
			US 5343491 A	30-08-1994
EP 0639650	A	22-02-1995	AU 667640 B	28-03-1996
			AU 7021494 A	02-03-1995
			CA 2130281 A	19-02-1995
			CZ 9401936 A	17-05-1995
			HU 3850 A	30-03-1998
			JP 7097205 A	11-04-1995
			PL 304675 A	20-02-1995
			SK 97194 A	11-07-1995
			US 5538184 A	23-07-1996
			ZA 9406267 A	20-05-1996
EP 0071359	A	09-02-1983	US 4458883 A	10-07-1984
			JP 58071317 A	28-04-1983
			US 4486230 A	04-12-1984
			US 4565353 A	21-01-1986
			ZA 8205026 A	27-04-1983
FR 2607829	A	10-06-1988	NONE	
US 4666511	A	19-05-1987	FR 2579495 A	03-10-1986
			AU 586856 B	27-07-1989
			BR 8601411 A	09-12-1986
			CA 1268044 A	24-04-1990
			EP 0196952 A	08-10-1986

INTERNATIONAL SEARCH REPORT

Information on patent family members

International Application No

PCT/EP 97/06938

Patent document cited in search report	Publication date	Patent family member(s)	Publication date
US 4666511 A		JP 61235507 A	20-10-1986