



US00D349985S

United States Patent [19]

[11] **Patent Number: Des. 349,985**

Surowiec

[45] **Date of Patent: ** Aug. 23, 1994**

[54] **CLOTHESPIN CADDY**

2,388,924 11/1945 Mercier 285/284 X

[76] Inventor: **Walter Surowiec**, 35 Dexter St.,
Woonsocket, R.I. 02895

Primary Examiner—Wallace R. Burke
Assistant Examiner—Lavone D. Tabor
Attorney, Agent, or Firm—Robert J. Doherty

[**] Term: **14 Years**

[21] Appl. No.: **906,132**

[57] **CLAIM**

[22] Filed: **Jun. 29, 1992**

The ornamental design for a clothespin caddy, as shown and described.

[52] U.S. Cl. **D32/35**

[58] **Field of Search** D7/633; D8/382, 394,
D8/396; 24/3 R, 7, 9, 20 R; 138/161; 285/284,
286, 292, 417; 403/265–266, 341, 405.1;
D11/3–4; D23/259, 262, 265; D32/35, 60

DESCRIPTION

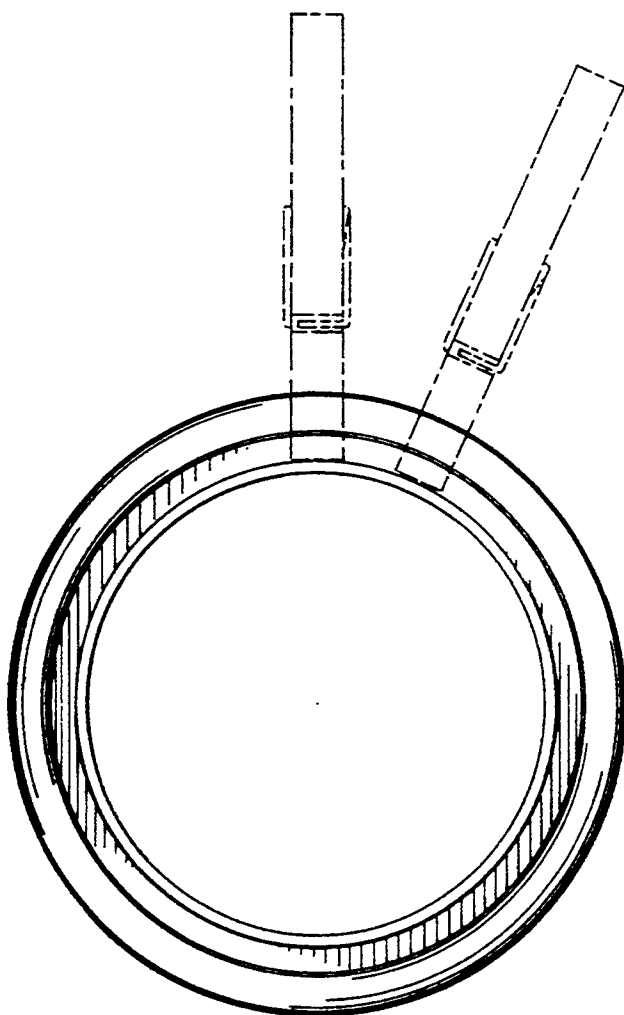
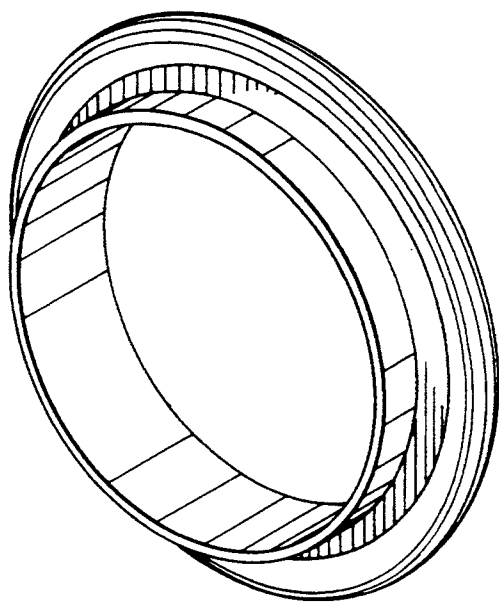
[56] **References Cited**

U.S. PATENT DOCUMENTS

- D. 25,709 6/1896 Pratt D23/262
- D. 33,674 12/1900 Bliss, Jr. D11/4
- D. 42,412 4/1912 Bliss D11/4
- D. 285,275 8/1986 Pollitz D7/633

FIG. 1 is a front perspective view showing my new design for a clothespin caddy;
FIG. 2 is a side elevational as seen from the right of FIG. 1, the left side, top, and bottom thereof being mirror images; and,
FIG. 3 is a front elevational view thereof, the rear being a mirror image.

The phantom line illustrations of clothespins are for illustrative purposes only and form no part of the invention.



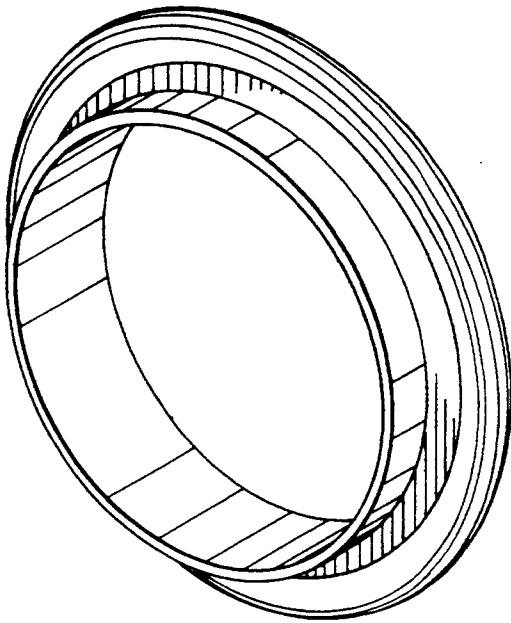


FIG. 1



FIG. 2

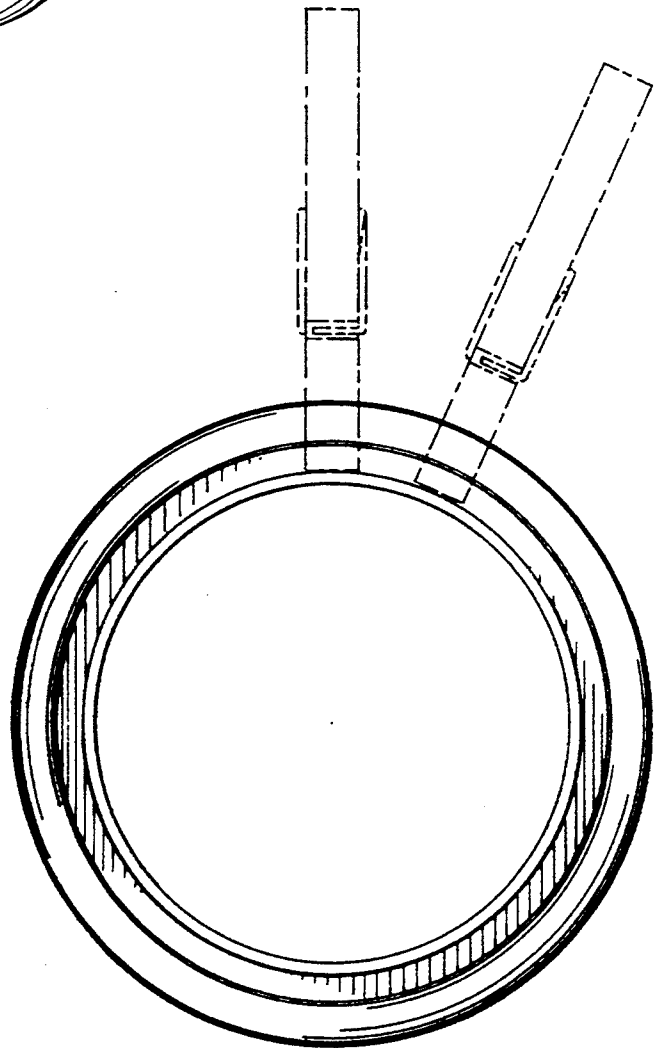


FIG. 3