



US00D394841S

United States Patent [19]

Hashimoto et al.

[11] Patent Number: **Des. 394,841**

[45] Date of Patent: ****Jun. 2, 1998**

[54] **BATTERY**

[75] Inventors: **Hisashi Hashimoto; Takashi Namura,**
both of Hyogo, Japan

[73] Assignee: **Sanyo Electric Co., Ltd.,** Osaka, Japan

[**] Term: **14 Years**

[21] Appl. No.: **50,576**

[22] Filed: **Jan. 29, 1996**

[30] Foreign Application Priority Data

Jul. 28, 1995 [JP] Japan 7-22221

[51] LOC (6) Cl. **13-02**

[52] U.S. Cl. **D13/103**

[58] Field of Search D13/103; 429/96-100,
429/163, 176

[56] References Cited

U.S. PATENT DOCUMENTS

D. 246,584	12/1977	Taniguchi	D13/103
D. 323,809	2/1992	Ross, Jr.	D13/103
D. 367,256	2/1996	Tokunaga	D13/103
D. 373,755	9/1996	Chen	D13/103

4,582,767 4/1986 Morioka et al. 429/163 X

FOREIGN PATENT DOCUMENTS

494500	8/1975	Japan	.
4945011	8/1975	Japan	.
4945012	5/1977	Japan	.
4945013	5/1977	Japan	.
4945014	5/1977	Japan	.
696759	1/1987	Japan	.
6967591	12/1989	Japan	.

Primary Examiner—Joel Sincavage
Attorney, Agent, or Firm—Loeb & Loeb LLP

[57] CLAIM

The ornamental design for a battery, as shown and described.

DESCRIPTION

FIG. 1 is a perspective view of a battery of the present invention;

FIG. 2 is a front elevation view thereof;

FIG. 3 is a rear elevation view thereof;

FIG. 4 is a top plan view thereof;

FIG. 5 is a bottom plan view thereof;

FIG. 6 is a left elevation view thereof; and

FIG. 7 is a right elevation view thereof.

1 Claim, 2 Drawing Sheets

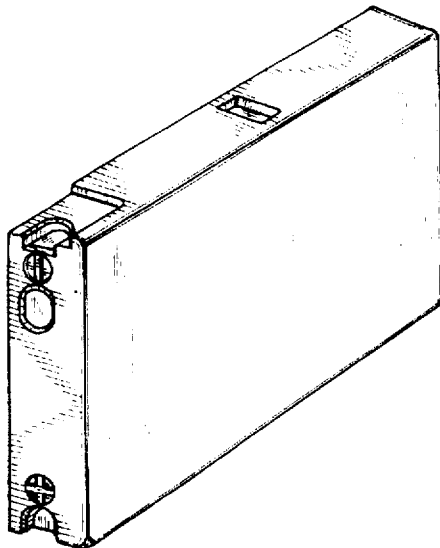


FIG. 1

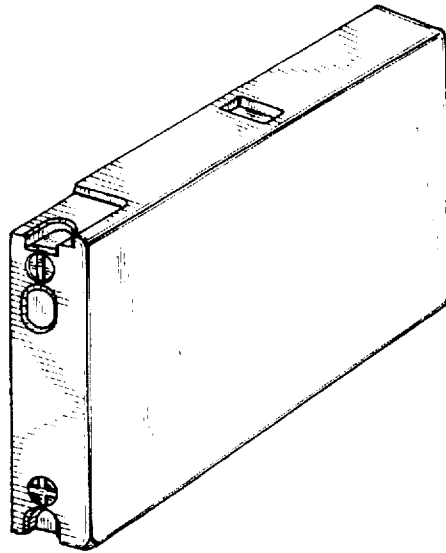


FIG. 2

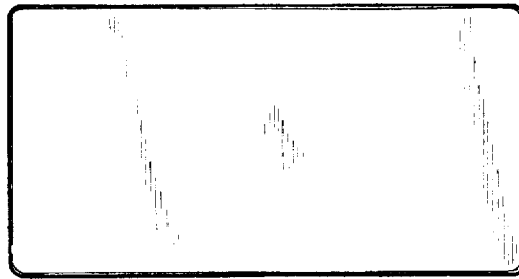


FIG. 3

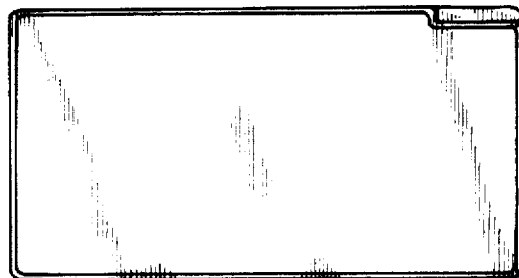


FIG.4

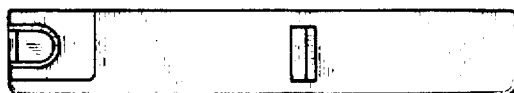


FIG.5



FIG.6



FIG.7

