



US00D832005S

(12) **United States Design Patent**
Pinna et al.

(10) **Patent No.:** **US D832,005 S**

(45) **Date of Patent:** **** Oct. 30, 2018**

(54) **SALES DISPLAY STAND**

CPC A47B 17/04; A47B 43/00; A47B 47/04;
A47B 67/00; A47B 88/00; A47B 88/40
See application file for complete search history.

(71) Applicant: **PIAGGIO & C. S.p.A.**, Pontedera
(Pisa) (IT)

(56) **References Cited**

(72) Inventors: **Daniele Pinna**, Pontedera (IT); **Davide Zanolini**, Pontedera (IT)

U.S. PATENT DOCUMENTS

(73) Assignee: **PIAGGIO & C. S.p.A.**, Pontedera
(Pisa) (IT)

D267,463 S * 1/1983 Thompson D7/698
D288,877 S * 3/1987 Koopman D6/671.1
D701,404 S * 3/2014 Thompson D6/671

(**) Term: **15 Years**

* cited by examiner

(21) Appl. No.: **29/582,405**

Primary Examiner — Mimosa De

(22) Filed: **Oct. 27, 2016**

(74) *Attorney, Agent, or Firm* — Thomas | Horstemeyer,
LLP

Related U.S. Application Data

(57) **CLAIM**

(62) Division of application No. 29/511,362, filed on Dec.
10, 2014, now Pat. No. Des. 772,615.

The ornamental design for a sales display stand, as shown
and described.

Foreign Application Priority Data

DESCRIPTION

(30) Jun. 11, 2014 (EM) 002480095

FIG. 1 is a right front perspective view of our new sales
display stand;

(51) **LOC (11) Cl.** **06-04**

FIG. 2 is a left front perspective view of our new sales
display stand of FIG. 1;

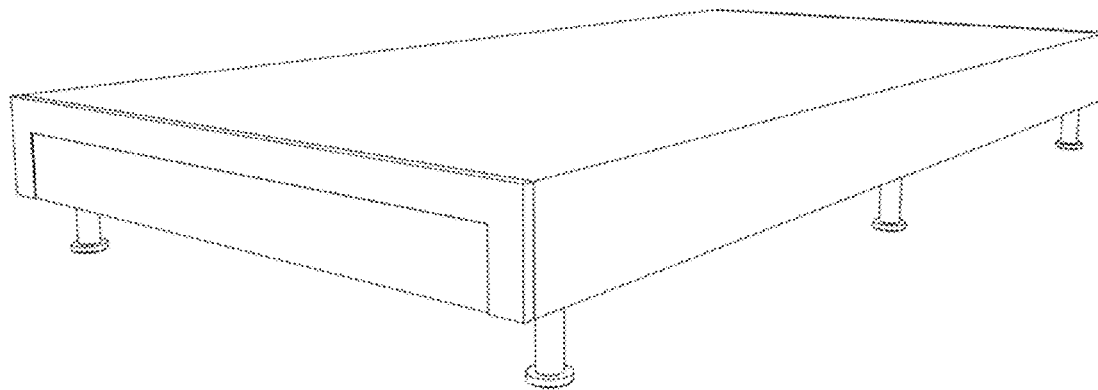
(52) **U.S. Cl.**
USPC **D6/671.1**

FIG. 3 is a side elevational view of our new sales display
stand of FIG. 1, the opposite side being a mirror image
thereof; and,

(58) **Field of Classification Search**
USPC D6/657, 661, 663, 664, 667, 671, 671.1,
D6/671.2, 675, 691, 704; D3/297;
D7/698

FIG. 4 is an end view of our new sales display stand of FIG.
1, the opposite end being a mirror image thereof.

1 Claim, 3 Drawing Sheets



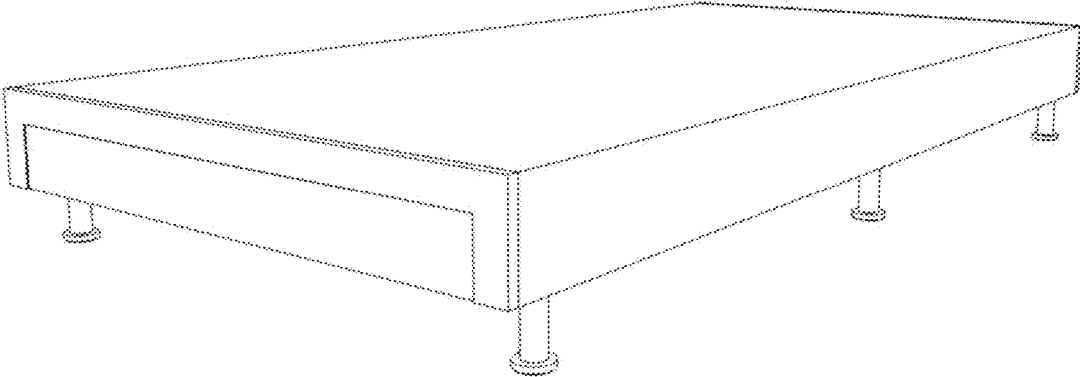


FIG. 1

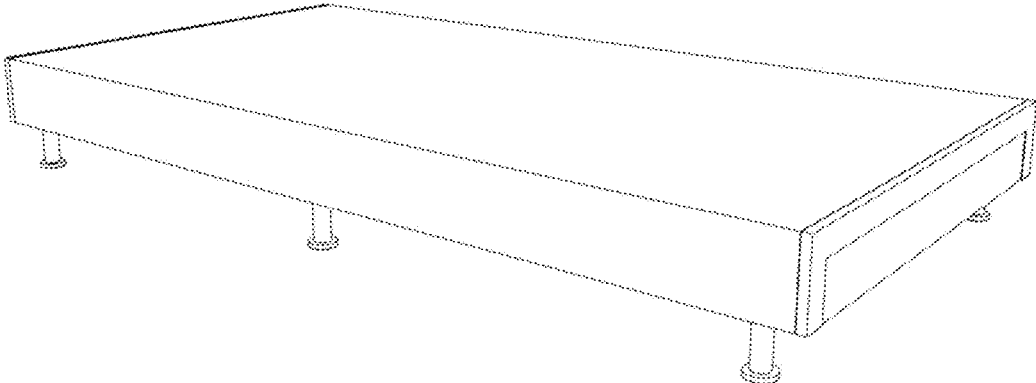


FIG. 2

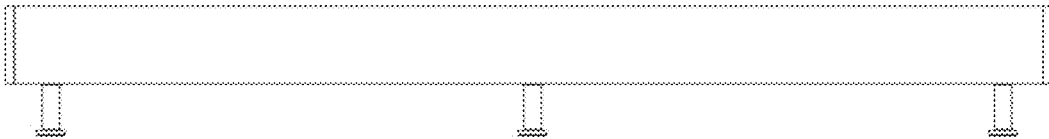


FIG. 3

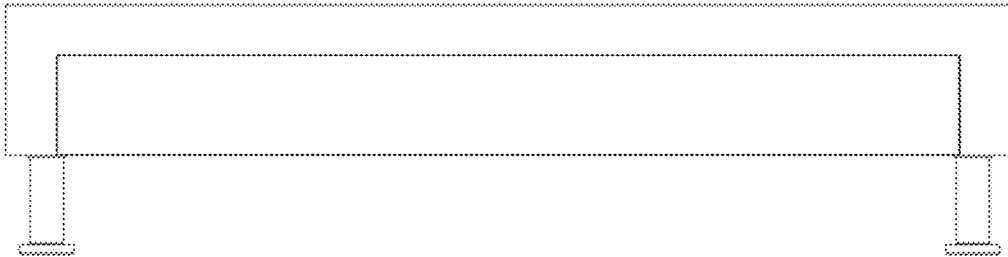


FIG. 4