

(19) World Intellectual Property Organization  
International Bureau



(43) International Publication Date  
30 December 2009 (30.12.2009)

(10) International Publication Number  
**WO 2009/156843 A3**

(51) International Patent Classification:

C25D 13/04 (2006.01) F28D 1/053 (2006.01)  
C25D 13/14 (2006.01) C09D 5/08 (2006.01)  
C25D 13/22 (2006.01) F16L 58/10 (2006.01)  
F28F 19/04 (2006.01)

(21) International Application Number:

PCT/IB2009/006072

(22) International Filing Date:

26 June 2009 (26.06.2009)

(25) Filing Language:

Italian

(26) Publication Language:

English

(30) Priority Data:

MI2008A001168 26 June 2008 (26.06.2008) IT

(71) Applicant (for all designated States except US): **FONDITAL S.P.A.** [IT/IT]; Via Mocenigo, 123, Vestone (IT).

(72) Inventor; and

(75) Inventor/Applicant (for US only): **FRANZONI, Francesco** [IT/IT]; Via Malpaga, 69/A, 25070 Casto (IT).

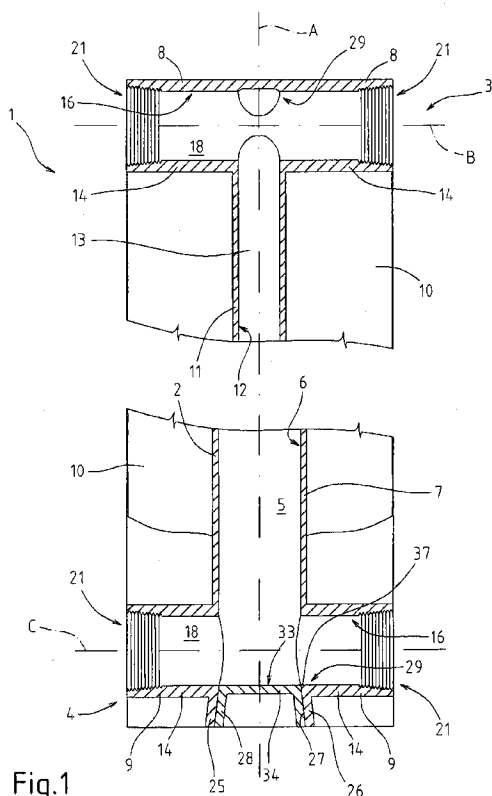
(74) Agent: **JORIO, Paolo**; c/o Studio Torta S.r.l., Via Viotti, 9, I-10121 Torino (IT).

(81) Designated States (unless otherwise indicated, for every kind of national protection available): AE, AG, AL, AM, AO, AT, AU, AZ, BA, BB, BG, BH, BR, BW, BY, BZ, CA, CH, CL, CN, CO, CR, CU, CZ, DE, DK, DM, DO, DZ, EC, EE, EG, ES, FI, GB, GD, GE, GH, GM, GT, HN, HR, HU, ID, IL, IN, IS, JP, KE, KG, KM, KN, KP, KR, KZ, LA, LC, LK, LR, LS, LT, LU, LY, MA, MD, ME, MG, MK, MN, MW, MX, MY, MZ, NA, NG, NI, NO, NZ, OM, PE, PG, PH, PL, PT, RO, RS, RU, SC, SD, SE, SG, SK, SL, SM, ST, SV, SY, TJ, TM, TN, TR, TT, TZ, UA, UG, US, UZ, VC, VN, ZA, ZM, ZW.

(84) Designated States (unless otherwise indicated, for every kind of regional protection available): ARIPO (BW, GH, GM, KE, LS, MW, MZ, NA, SD, SL, SZ, TZ, UG, ZM, ZW), Eurasian (AM, AZ, BY, KG, KZ, MD, RU, TJ, TM), European (AT, BE, BG, CH, CY, CZ, DE, DK, EE, ES, FI, FR, GB, GR, HR, HU, IE, IS, IT, LT, LU, LV, MC, MK, MT, NL, NO, PL, PT, RO, SE, SI, SK, TR),

[Continued on next page]

(54) Title: TOTAL ANTI-CORROSION PROTECTION HEATING RADIATOR ELEMENT, AND METHOD OF ANTI-CORROSION TREATMENT OF HEATING RADIATOR



(57) Abstract: A heating radiator element (1) having a body (2) made of die-cast aluminium and provided with an inner chamber (5) for passing the water, delimited by inner surfaces (6) of the aluminium body (2), is provided with a protective coating (51) made of an anti-corrosion polymeric coating material applied to every inner surface (6) of the aluminium body (2) so as to completely coat the chamber (5), for protecting in use the inner surfaces (6) of the aluminium body (2) against the contact with water. The application of the protective coating (51) is carried out by filling the chamber (5) with a treatment composition containing the polymeric coating material, and then draining the chamber (5) once the coating material has adhered to the inner surfaces (6) of the chamber (5).

WO 2009/156843 A3



OAPI (BF, BJ, CF, CG, CI, CM, GA, GN, GQ, GW, ML,  
MR, NE, SN, TD, TG).

— *before the expiration of the time limit for amending the  
claims and to be republished in the event of receipt of  
amendments (Rule 48.2(h))*

**Published:**

— *with international search report (Art. 21(3))*

**(88) Date of publication of the international search report:**

18 March 2010

**INTERNATIONAL SEARCH REPORT**

International application No  
PCT/IB2009/006072

**A. CLASSIFICATION OF SUBJECT MATTER**

INV. C25D13/04 C25D13/14 C25D13/22 F28F19/04 F28D1/053  
C09D5/08 F16L58/10

According to International Patent Classification (IPC) or to both national classification and IPC

**B. FIELDS SEARCHED**

Minimum documentation searched (classification system followed by classification symbols)  
C25D F28F F28D C09D F16L

Documentation searched other than minimum documentation to the extent that such documents are included in the fields searched

Electronic data base consulted during the international search (name of data base and, where practical, search terms used)

EPO-Internal

**C. DOCUMENTS CONSIDERED TO BE RELEVANT**

| Category* | Citation of document, with indication, where appropriate, of the relevant passages   | Relevant to claim No. |
|-----------|--|-----------------------|
| X         | FR 1 475 430 A (K8 RADIATORI)<br>31 March 1967 (1967-03-31)  | 1,9                   |
| Y         | the whole document   | 2-8,<br>10-24         |
| Y         | -----<br>US 4 503 099 A (CHANG FRANKLIN S [US] ET AL)<br>5 March 1985 (1985-03-05)<br>column 2, line 30 - line 45                      | 10                    |
| Y         | -----<br>DE 198 01 656 A1 (KERMI GMBH [DE])<br>22 July 1999 (1999-07-22)<br>column 5, line 15 - line 30<br>column 5, line 30 - line 45 | 2-3,<br>11-23         |
| Y         | -----<br>EP 0 854 347 A2 (LOLLI VALTER [IT])<br>22 July 1998 (1998-07-22)<br>column 2, line 5 - line 8; figures 1-4                    | 4-8,24                |
|           | -----<br>-/--  |                       |

Further documents are listed in the continuation of Box C.

See patent family annex.

\* Special categories of cited documents :

- \*A\* document defining the general state of the art which is not considered to be of particular relevance
- \*E\* earlier document but published on or after the international filing date
- \*L\* document which may throw doubts on priority claim(s) or which is cited to establish the publication date of another citation or other special reason (as specified)
- \*O\* document referring to an oral disclosure, use, exhibition or other means
- \*P\* document published prior to the international filing date but later than the priority date claimed

- \*T\* later document published after the international filing date or priority date and not in conflict with the application but cited to understand the principle or theory underlying the invention
- \*X\* document of particular relevance; the claimed invention cannot be considered novel or cannot be considered to involve an inventive step when the document is taken alone
- \*Y\* document of particular relevance; the claimed invention cannot be considered to involve an inventive step when the document is combined with one or more other such documents, such combination being obvious to a person skilled in the art.
- \*Z\* document member of the same patent family

Date of the actual completion of the international search

22 January 2010

Date of mailing of the international search report

03/02/2010

Name and mailing address of the ISA/

European Patent Office, P.B. 5818 Patentlaan 2  
NL - 2280 HV Rijswijk  
Tel. (+31-70) 340-2040,  
Fax: (+31-70) 340-3016

Authorized officer

Vassoille, Bruno

## INTERNATIONAL SEARCH REPORT

International application No  
PCT/IB2009/006072

C(Continuation). DOCUMENTS CONSIDERED TO BE RELEVANT

| Category* | Citation of document, with indication, where appropriate, of the relevant passages                           | Relevant to claim No. |
|-----------|--|-----------------------|
| A         | EP 1 935 535 A2 (RADIATORI 2000 S P A [IT]) 25 June 2008 (2008-06-25) paragraph [0005]; figures 1,3<br>----- | 1,4-8,24              |
| A         | US 4 947 548 A (BENTLEY RICHARD M [US]) 14 August 1990 (1990-08-14) the whole document<br>-----              | 1                     |
| A         | GB 1 114 121 A (KIRSCH BERNHARD) 15 May 1968 (1968-05-15) the whole document<br>-----                        | 5-8,24                |

# INTERNATIONAL SEARCH REPORT

Information on patent family members

International application No

PCT/IB2009/006072

| Patent document cited in search report | Publication date | Patent family member(s) | Publication date  |
|--|------------------|-------------------------|---|
| FR 1475430                             | A                | 31-03-1967              | NONE  |
| US 4503099                             | A                | 05-03-1985              | NONE  |
| DE 19801656                            | A1               | 22-07-1999              | NONE  |
| EP 0854347                             | A2               | 22-07-1998              | DE 69805336 D1 20-06-2002<br>DE 69805336 T2 28-11-2002<br>ES 2175648 T3 16-11-2002<br>IT B0970023 A1 20-07-1998   |
| EP 1935535                             | A2               | 25-06-2008              | NONE  |
| US 4947548                             | A                | 14-08-1990              | NONE  |
| GB 1114121                             | A                | 15-05-1968              | BE 664246 A 16-09-1965<br>CH 452839 A 15-03-1968<br>DK 120968 B 09-08-1971<br>NL 6506430 A 23-11-1965<br>NO 118626 B 19-01-1970<br>SE 326277 B 20-07-1970 |