



(12) **United States Design Patent**
Marso

(10) **Patent No.:** **US D802,222 S**
(45) **Date of Patent:** **** Nov. 7, 2017**

- (54) **PROTECTIVE GLOVE**
- (71) Applicant: **Nukks L. L. C.**, St. Paul, MN (US)
- (72) Inventor: **Daniel J. Marso**, St. Paul, MN (US)
- (73) Assignee: **Nukks L. L. C.**, Saint Paul, MN (US)
- (**) Term: **15 Years**
- (21) Appl. No.: **29/569,679**
- (22) Filed: **Jun. 29, 2016**

D721,868 S * 2/2015 Fisher D2/619
 D733,364 S * 6/2015 Choi D29/117.1
 D745,746 S * 12/2015 Hughes D29/117.1
 D759,318 S * 6/2016 Wyatt D29/117.1
 2009/0044306 A1* 2/2009 Lamson A41D 19/01523
 2011/0067165 A1* 3/2011 Fream A63B 71/143
 2/161.1

(Continued)

FOREIGN PATENT DOCUMENTS

CA 2287253 A1 * 9/1999 A63B 71/143
 CA 2737874 A1 * 10/2012 A63B 71/143
 WO WO-9848653 A1 * 11/1998 A63B 71/143

Related U.S. Application Data

- (63) Continuation of application No. 15/170,637, filed on Jun. 1, 2016.
- (51) **LOC (10) Cl.** **02-06**
- (52) **U.S. Cl.**
USPC **D29/117.1**
- (58) **Field of Classification Search**
USPC D29/100, 113, 115, 116.1, 116.2, 116.3,
D29/117.1, 117.2, 118, 120.1;
D2/617-622
CPC A63B 2102/24; A63B 71/143
See application file for complete search history.

OTHER PUBLICATIONS

Nukks Gloves, posted at twitter.com, posting date Oct. 23, 2014, [online], [site visited Aug. 30, 2017]. Available from Internet, URL: <https://twitter.com/nukksgloves> (Year: 2014).*

(Continued)

Primary Examiner — George D. Kirschbaum
Assistant Examiner — Maria J Edwards
 (74) *Attorney, Agent, or Firm* — Grumbles Law PLLC;
 Brittany Nanzig

(57) **CLAIM**

The ornamental design for a protective glove, as shown and described.

DESCRIPTION

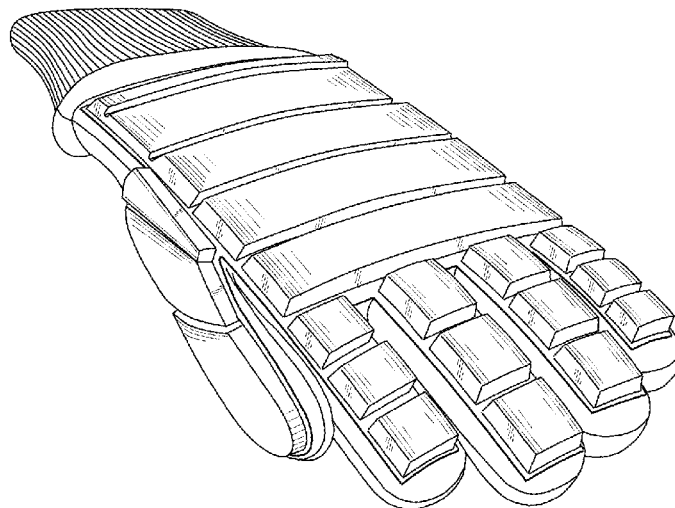
FIG. 1 is a perspective front view of a protective glove showing my new design.
 FIG. 2 is a left side view of the protective glove.
 FIG. 3 is a right side view of the protective glove.
 FIG. 4 is a front view of the protective glove.
 FIG. 5 is a back view of the protective glove; and,
 FIG. 6 is a bottom view of the protective glove.

1 Claim, 3 Drawing Sheets

(56) **References Cited**

U.S. PATENT DOCUMENTS

4,497,073 A * 2/1985 Deutsch A63B 71/143
 2/16
 D287,904 S * 1/1987 Pierce, Jr. D29/117.1
 4,768,234 A * 9/1988 Yamamoto A41D 19/01523
 2/16
 4,930,162 A * 6/1990 Cote A63B 71/143
 2/16
 D328,369 S * 7/1992 Hong D29/117.1
 5,511,242 A * 4/1996 Bianchi A63B 71/143
 2/16
 5,946,720 A * 9/1999 Sauriol A63B 71/143
 2/16



(56)

References Cited

U.S. PATENT DOCUMENTS

2012/0054937 A1* 3/2012 Robaire A63B 71/148
2/16
2014/0143926 A1* 5/2014 Brown A63B 71/143
2/20
2015/0202521 A1* 7/2015 Abdelmalek A63B 71/141
2/20
2016/0082342 A1* 3/2016 Brown A63B 71/143
2/20
2016/0345646 A1* 12/2016 Marso A63B 71/14

OTHER PUBLICATIONS

Warrior Hockey Glove, posted at ebay.com, posting date not given, [online], [site visited Aug. 30, 2017]. Available from Internet, URL: <http://www.ebay.com/itm/like/202015789576>.*

Wild Nukks Winter Gloves, posted at facebook.com, posting date Sep. 16, 2014, [online], [site visited Aug. 30, 2017]. Available from Internet, URL: <https://www.facebook.com/nukks-gloves/> (Year: 2014).*

* cited by examiner

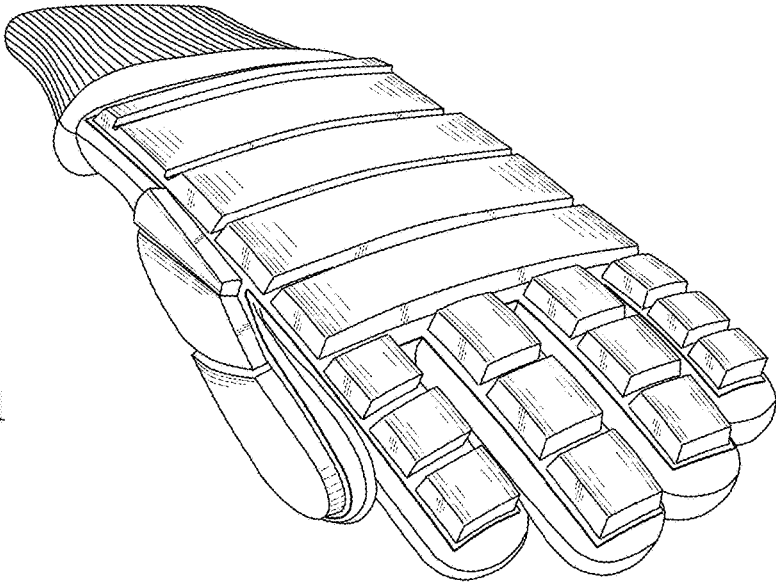


FIG. 1

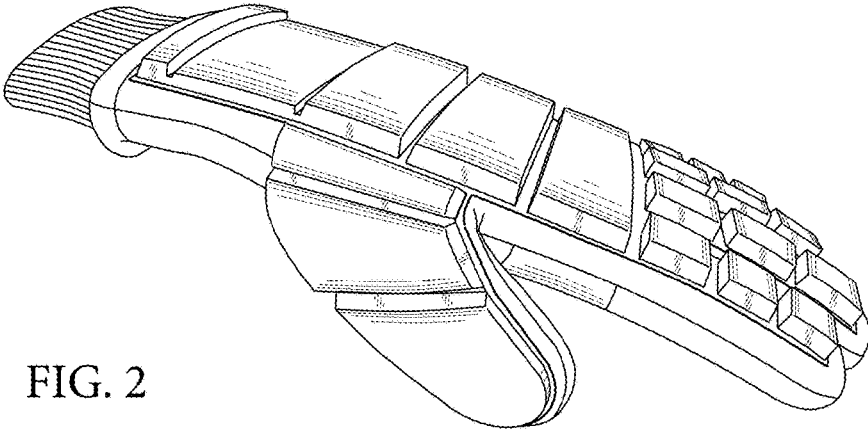


FIG. 2

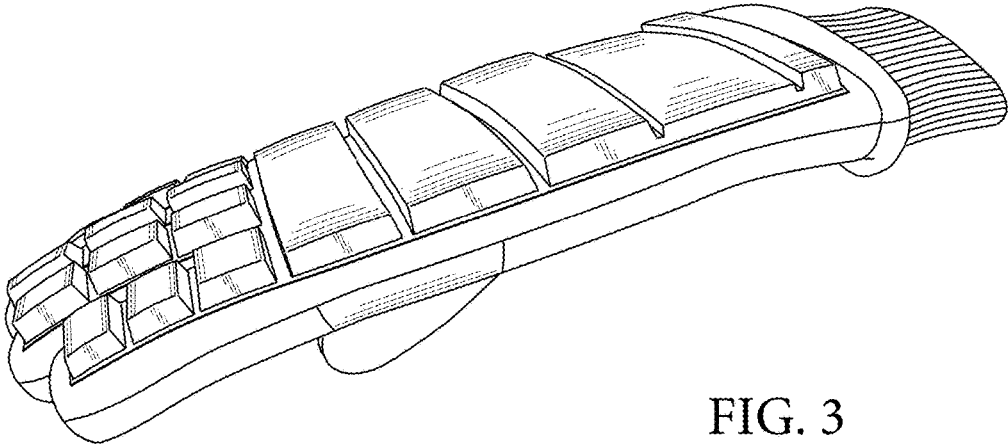


FIG. 3

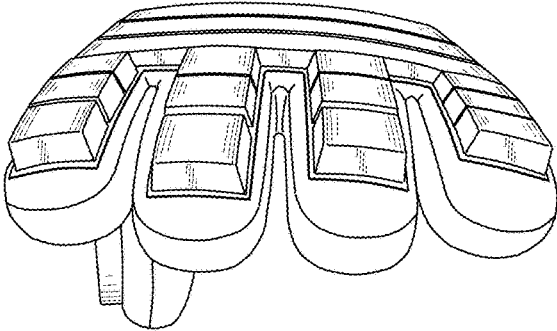


FIG. 4

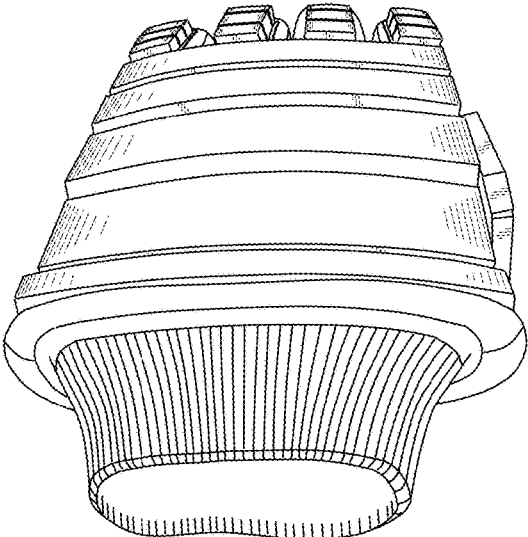


FIG. 5

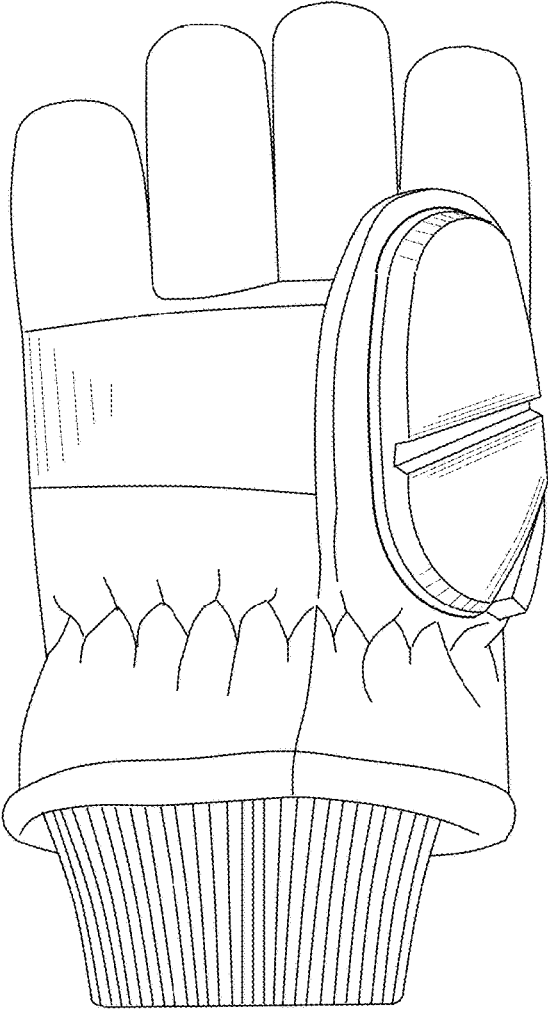


FIG. 6