



US00D916331S

(12) **United States Design Patent** (10) **Patent No.:** **US D916,331 S**
Wilkinson (45) **Date of Patent:** **** Apr. 13, 2021**

(54) **LIGHT BULB**
(71) Applicant: **SNT Trading Limited**, Halifax (GB)
(72) Inventor: **Samuel Wilkinson**, London (GB)
(**) Term: **15 Years**
(21) Appl. No.: **35/508,450**
(22) Filed: **Sep. 23, 2019**

D413,995 S *	9/1999	Lee	D26/140
D421,664 S *	3/2000	Sherman	D26/140
D548,370 S *	8/2007	Leung	D26/3
D623,783 S *	9/2010	Christianson	D26/39
D633,226 S *	2/2011	Katsaros	D26/2
D673,710 S *	1/2013	Eichelberger	D26/62
D694,466 S *	11/2013	Kjaergaard	D26/142
D699,875 S *	2/2014	Christianson	D26/39
D742,060 S *	10/2015	Kjaergaard Toft	D26/142
D745,710 S *	12/2015	Katsaros	D26/2
D752,804 S *	3/2016	Williamson	D26/141
D833,039 S *	11/2018	Wei	D26/2
D841,850 S *	2/2019	Williams	D26/39
D893,082 S *	8/2020	Amato	D26/87

(80) **Hague Agreement Data**
Int. Filing Date: **Sep. 23, 2019**
Int. Reg. No.: **DM/205483**
Int. Reg. Date: **Sep. 23, 2019**
Int. Reg. Pub. Date: **Jan. 31, 2020**

* cited by examiner

Primary Examiner — Natasha Vujcic

(51) **LOC (13) Cl.** **26-04**
(52) **U.S. Cl.**
USPC **D26/2**

(57) **CLAIM**
The ornamental design for light bulb, as shown and described.

(58) **Field of Classification Search**
USPC D26/2, 3, 63, 72, 74, 76, 78–83, 85, 86, D26/88, 90, 93, 111, 113, 118, 119, 120, D26/121, 122, 138–142, 152
CPC F21S 2/00; F21S 4/00; F21S 4/003; F21S 4/005; F21S 4/006; F21S 4/007; F21S 4/008; F21S 6/00; F21S 8/00; F21S 8/024; F21S 8/026; F21S 8/031; F21S 8/033; F21S 8/035–037; F21S 8/04; F21S 8/043; F21S 8/063
See application file for complete search history.

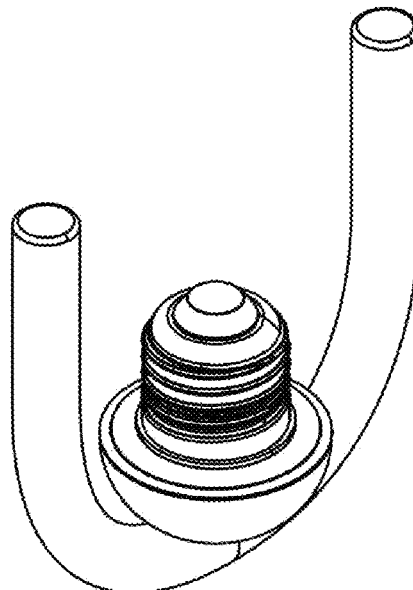
DESCRIPTION

- 1.-3. Light bulb
- 1.1 is a front perspective view.
- 1.2 is a top view.
- 1.3 is a front view.
- 1.4 is a side view.
- 1.5 is a bottom view.
- 2.1 is a front perspective view.
- 2.2 is a top view.
- 2.3 is a front view.
- 2.4 is a side view.
- 2.5 is a bottom view.
- 3.1 is a front perspective view.
- 3.2 is a top view.
- 3.3 is a front view.
- 3.4 is a side view.
- 3.5 is a bottom view.

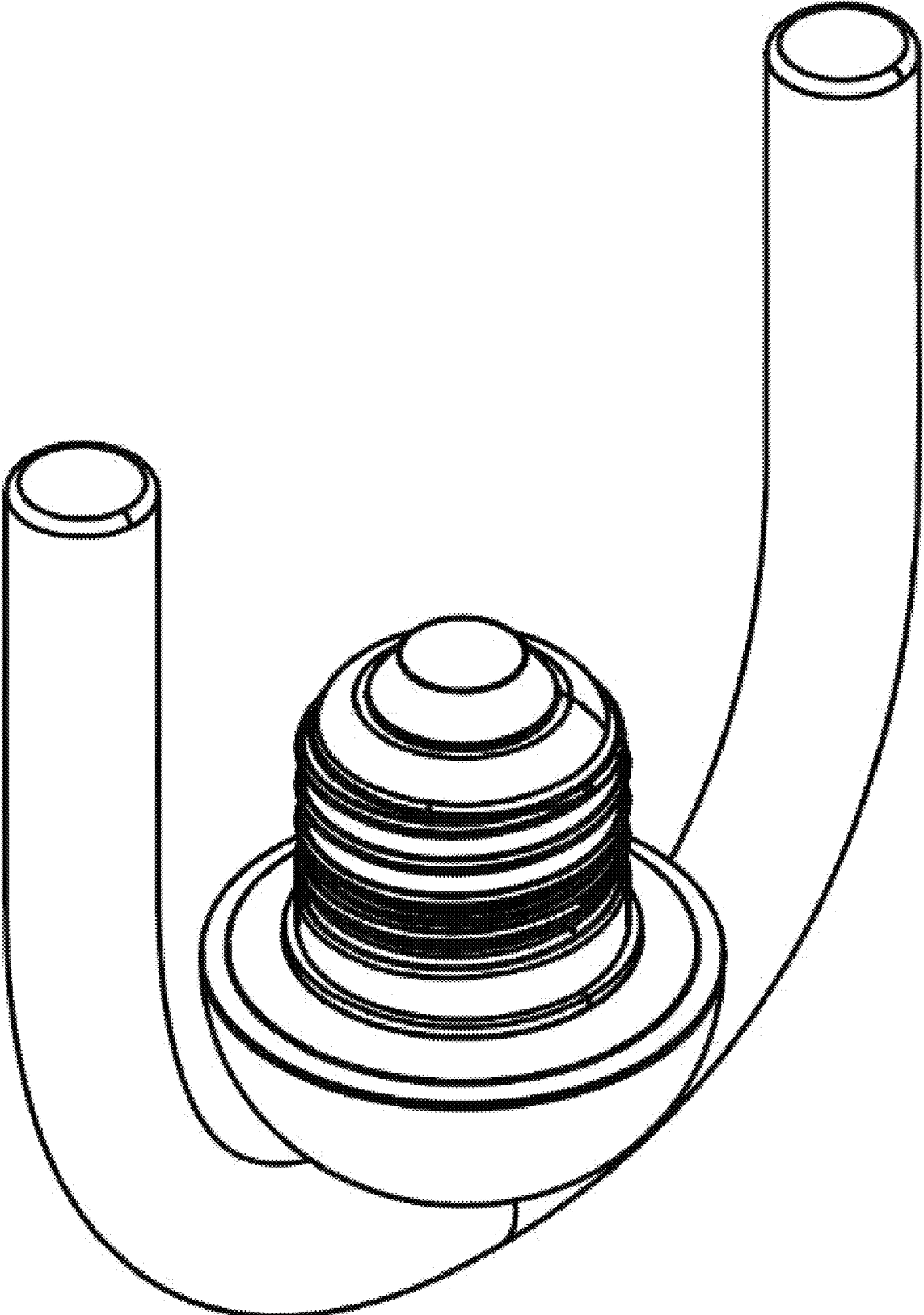
(56) **References Cited**
U.S. PATENT DOCUMENTS

D126,122 S *	3/1941	Chilo	D26/141
4,319,162 A *	3/1982	Hoeh	H01J 61/30
				313/487
D375,291 S *	11/1996	Cheung	D13/138.2

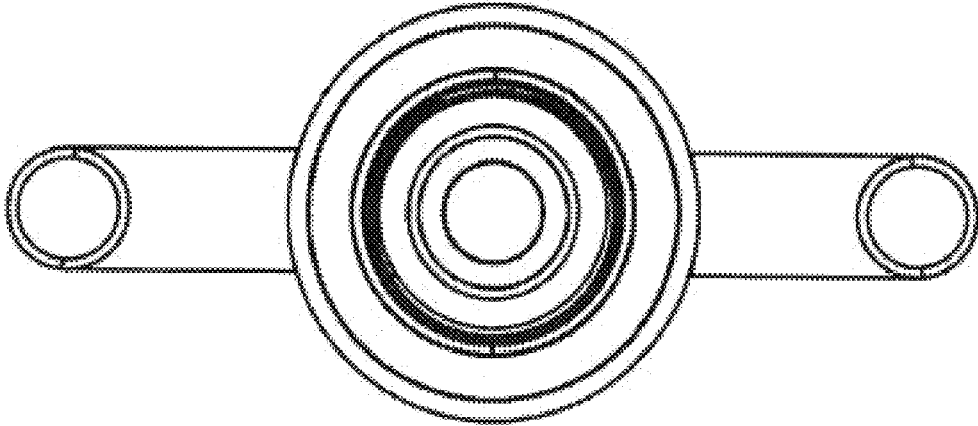
1 Claim, 15 Drawing Sheets



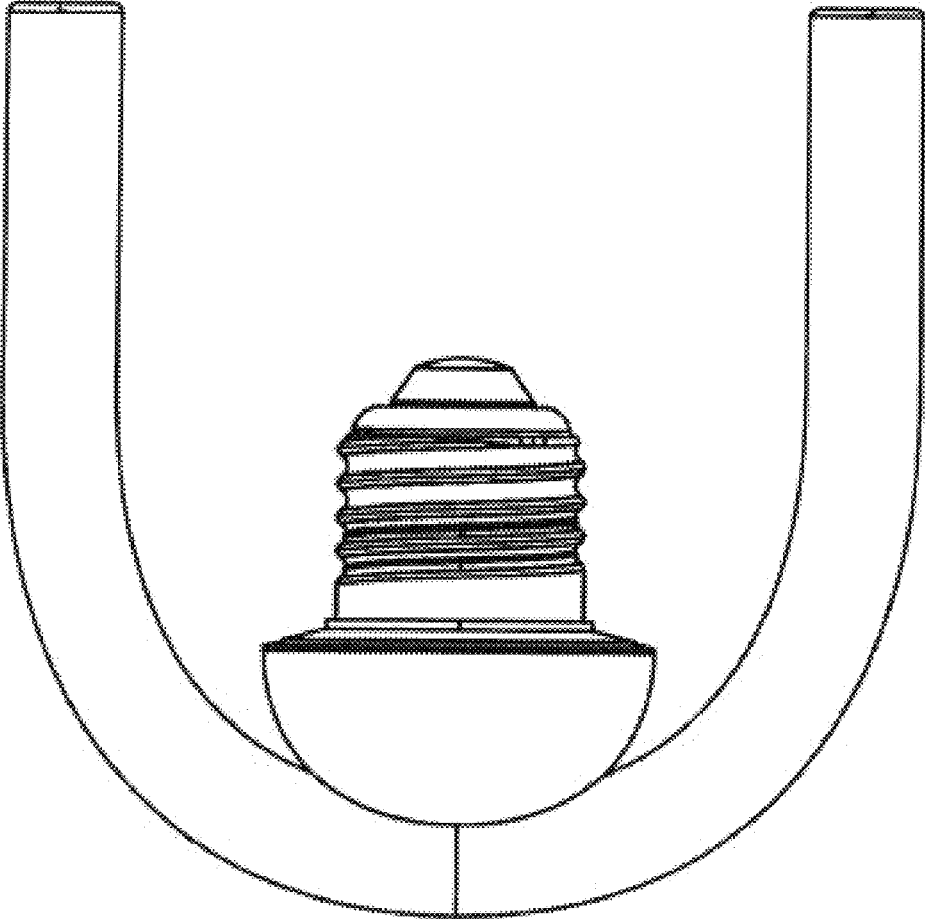
1.1



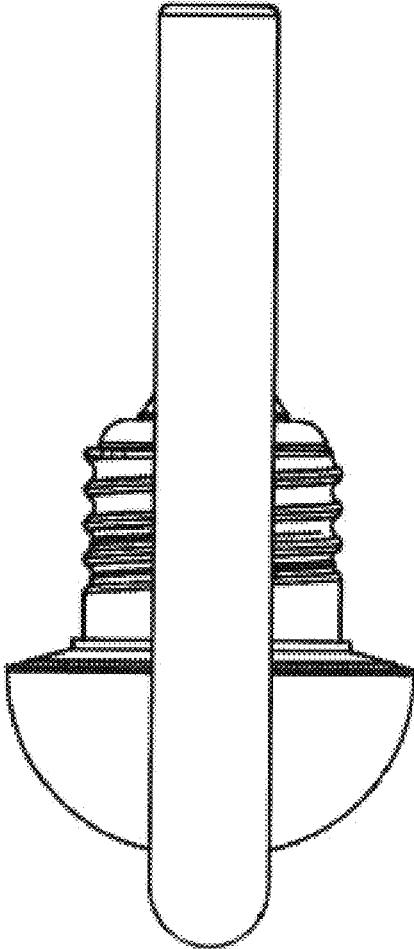
1.2



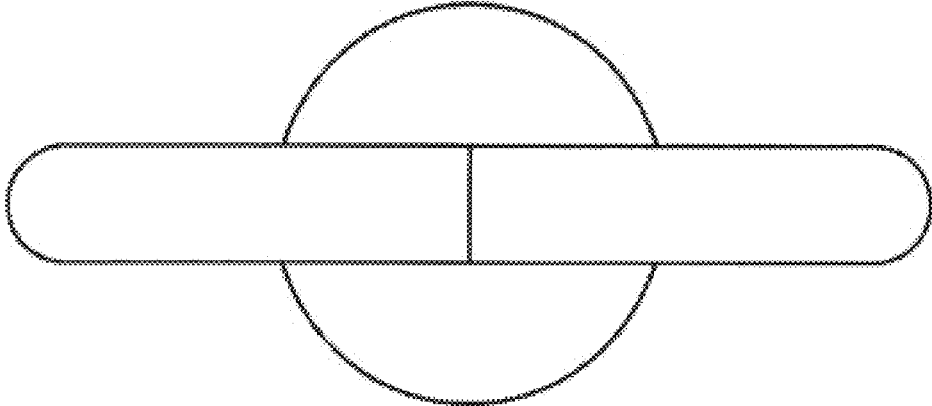
1.3



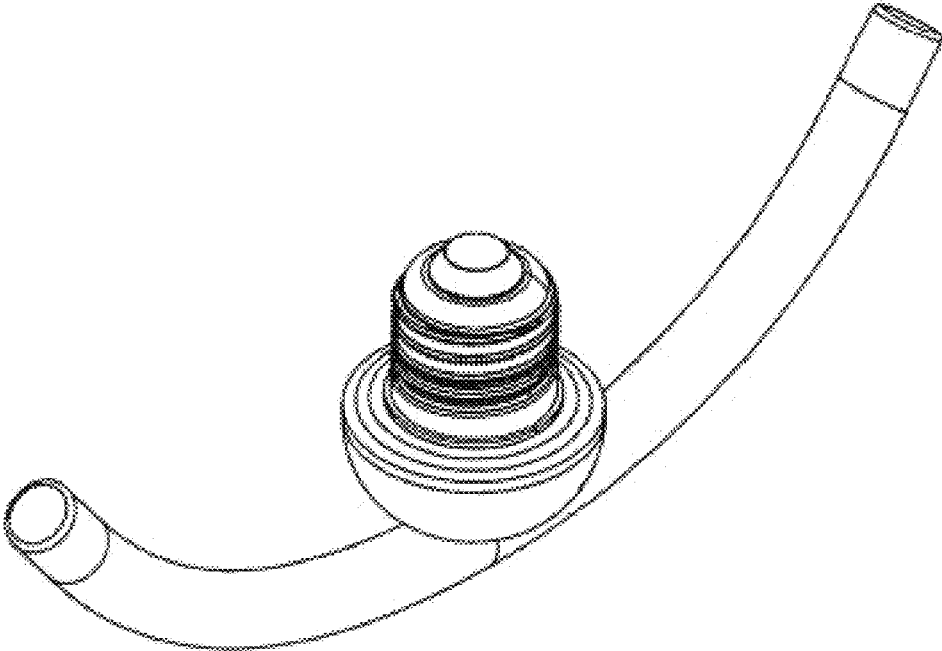
1.4



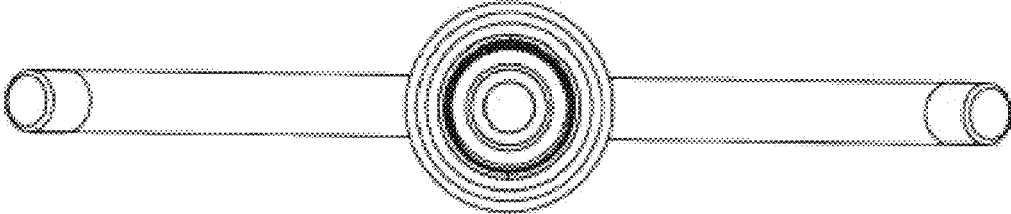
1.5



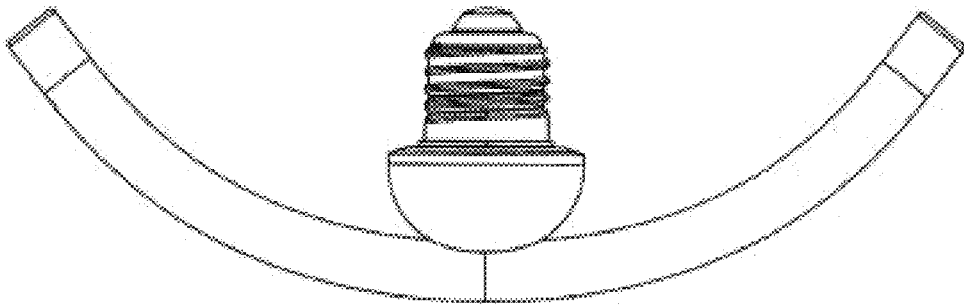
2.1



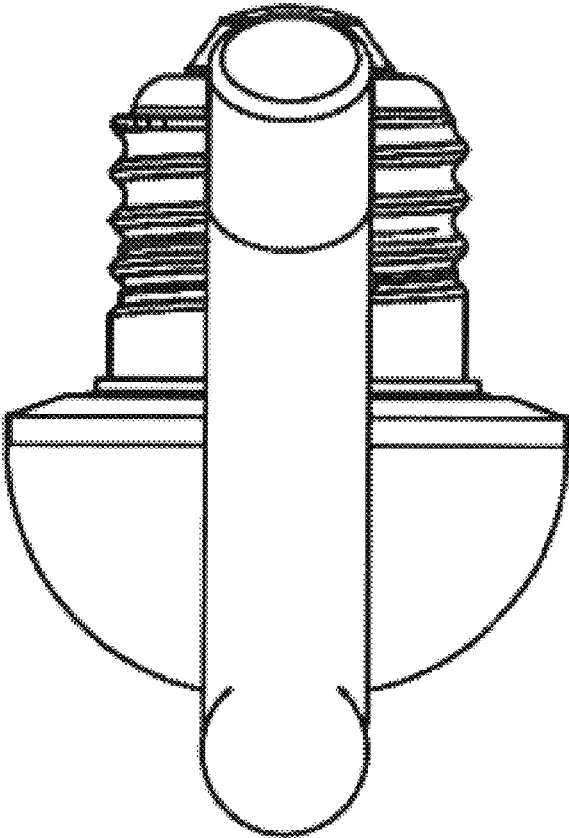
2.2



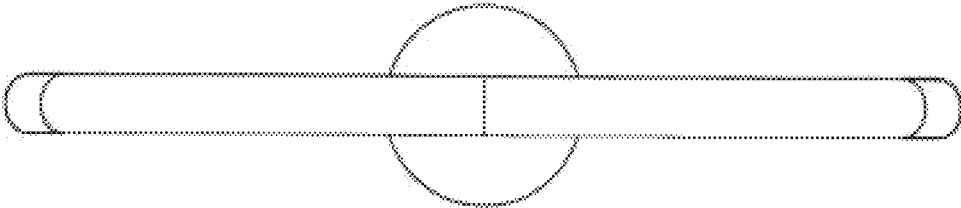
2.3



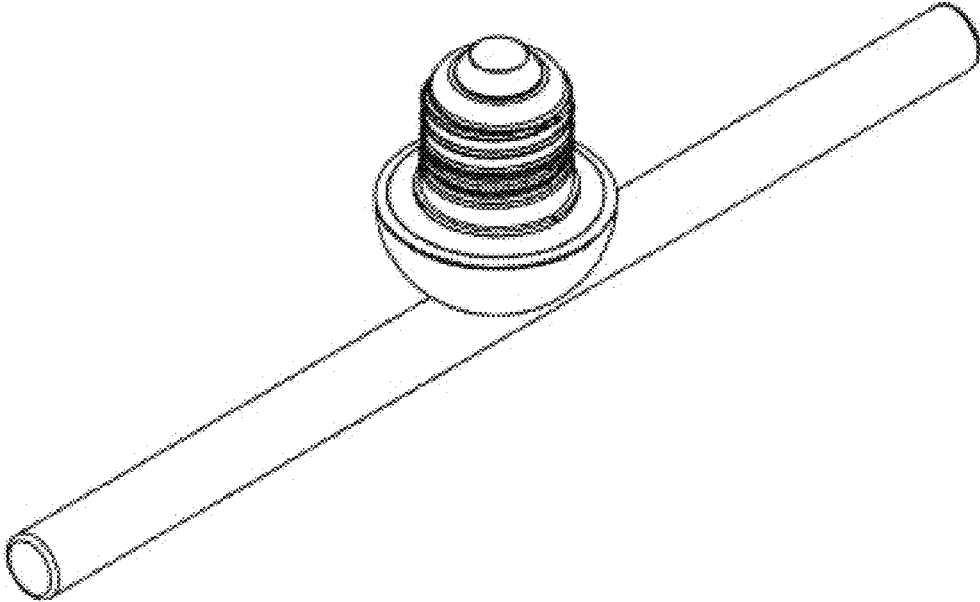
2.4



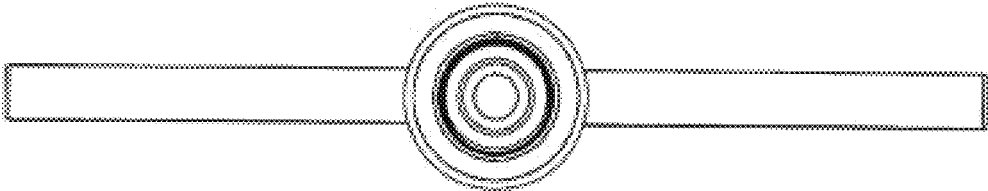
2.5



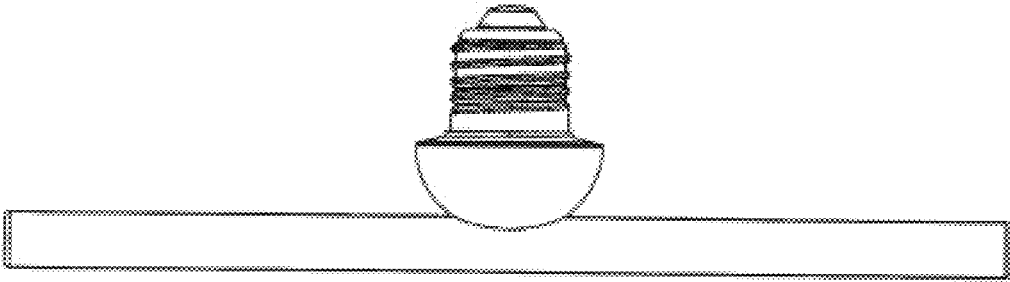
3.1



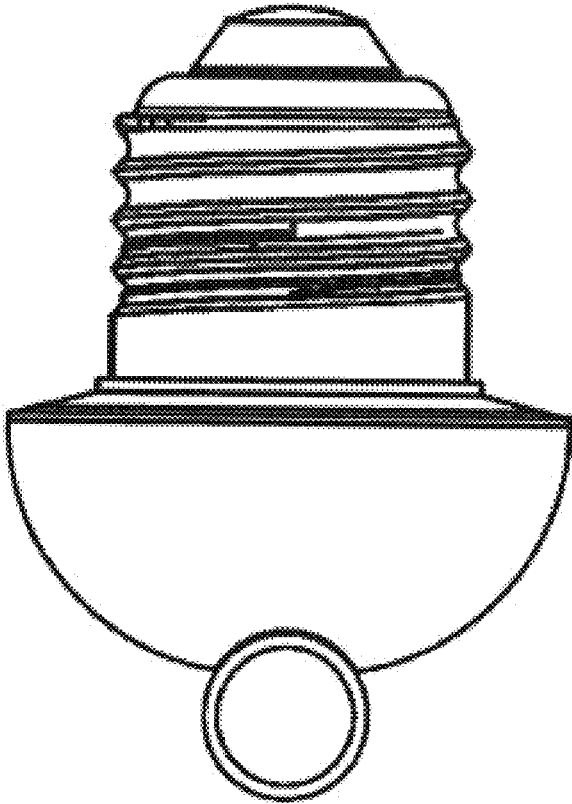
3.2



3.3



3.4



3.5

