

(19) World Intellectual Property Organization
International Bureau



(43) International Publication Date
24 September 2009 (24.09.2009)

(10) International Publication Number
WO 2009/117320 A3

(51) International Patent Classification:
G06K 7/10 (2006.01)

(21) International Application Number:
PCT/US2009/037095

(22) International Filing Date:
13 March 2009 (13.03.2009)

(25) Filing Language: English

(26) Publication Language: English

(30) Priority Data:
12/077,231 18 March 2008 (18.03.2008) US

(71) Applicant (for all designated States except US): **SYMBOL TECHNOLOGIES, INC.** [US/US]; Symbol Technologies, Inc., Att: Patent Administrator, 1303 East Algonquin Road, Schaumburg, IL 60196 (US).

(72) Inventors; and

(75) Inventors/Applicants (for US only): **BARKAN, Edward** [US/US]; 3 Enchanted Woods Court, Miller Place, NY 11764 (US). **DRZYMALA, Mark** [US/US]; 42 Terry Lane, Commack, NY 11725 (US).

(74) Agent: **GIANNETTA, Michael**; Motorola, Inc., Att: Patent Administrator, 1303 East Algonquin Road, Schaumburg, IL 60196 (US).

(81) Designated States (unless otherwise indicated, for every kind of national protection available): AE, AG, AL, AM, AO, AT, AU, AZ, BA, BB, BG, BH, BR, BW, BY, BZ,

CA, CH, CN, CO, CR, CU, CZ, DE, DK, DM, DO, DZ, EC, EE, EG, ES, FI, GB, GD, GE, GH, GM, GT, HN, HR, HU, ID, IL, IN, IS, JP, KE, KG, KM, KN, KP, KR, KZ, LA, LC, LK, LR, LS, LT, LU, LY, MA, MD, ME, MG, MK, MN, MW, MX, MY, MZ, NA, NG, NI, NO, NZ, OM, PG, PH, PL, PT, RO, RS, RU, SC, SD, SE, SG, SK, SL, SM, ST, SV, SY, TJ, TM, TN, TR, TT, TZ, UA, UG, US, UZ, VC, VN, ZA, ZM, ZW.

(84) Designated States (unless otherwise indicated, for every kind of regional protection available): ARIPO (BW, GH, GM, KE, LS, MW, MZ, NA, SD, SL, SZ, TZ, UG, ZM, ZW), Eurasian (AM, AZ, BY, KG, KZ, MD, RU, TJ, TM), European (AT, BE, BG, CH, CY, CZ, DE, DK, EE, ES, FI, FR, GB, GR, HR, HU, IE, IS, IT, LT, LU, LV, MC, MK, MT, NL, NO, PL, PT, RO, SE, SI, SK, TR), OAPI (BF, BJ, CF, CG, CI, CM, GA, GN, GQ, GW, ML, MR, NE, SN, TD, TG).

Declarations under Rule 4.17:

- as to applicant's entitlement to apply for and be granted a patent (Rule 4.17(ii))
- as to the applicant's entitlement to claim the priority of the earlier application (Rule 4.17(iii))

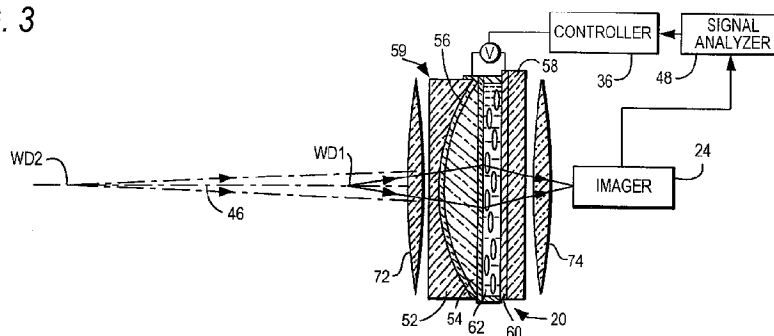
Published:

- with international search report (Art. 21(3))

(88) Date of publication of the international search report:
30 December 2009

(54) Title: LONG RANGE IMAGING READER

FIG. 3



(57) Abstract: An imaging module or reader for electro-optically reading both far-out and close-in, one-dimensional symbols located at variable working distances from the module or reader, includes a solid-state imager having a linear array of image sensors arranged in a single row for capturing return light from the symbols, and an imaging lens assembly for adjustably focusing the return light onto the linear array of image sensors to enable the symbols to be read.

WO 2009/117320 A3

INTERNATIONAL SEARCH REPORT

International application No.

PCT/US2009/037095

A. CLASSIFICATION OF SUBJECT MATTER IPC(8) - G06K 7/10 (2009.01) USPC - 235/454 According to International Patent Classification (IPC) or to both national classification and IPC		
B. FIELDS SEARCHED Minimum documentation searched (classification system followed by classification symbols) IPC(8) - G06K 7/10 (2009.01) USPC - 235/454 Documentation searched other than minimum documentation to the extent that such documents are included in the fields searched Electronic data base consulted during the international search (name of data base and, where practicable, search terms used) USPTO EAST System (US, USPG-PUB, EPO, DERWENT)		
C. DOCUMENTS CONSIDERED TO BE RELEVANT		
Category*	Citation of document, with indication, where appropriate, of the relevant passages	Relevant to claim No.
Y	US 2007/0051812 A1 (LOPEZ et al) 08 March 2007 (08.03.2007) entire document	1-22
Y	US 2005/0011952 A1 (KRICHEVER) 20 January 2005 (20.01.2005) entire document	1-22
Y	US 2005/0199725 A1 (CRAEN et al) 15 September 2005 (15.09.2005) entire document	9, 20
Y	US 5,763,864 A (O'HAGAN et al) 09 June 1998 (09.06.1998) entire document	2, 14
Y	US 2003/0090805 A1 (OHKAWA et al) 15 May 2003 (15.05.2003) entire document	10, 21
Y	US 2007/0295814 A1 (TANAKA et al) 27 December 2007 (27.12.2007) entire document	4,16,22
Y	JP 09-130683 A (TAKASHI et al) 16 May 1997 (16.05.1997) abstract, front page	3,15
<input type="checkbox"/> Further documents are listed in the continuation of Box C. <input type="checkbox"/>		
* Special categories of cited documents: "A" document defining the general state of the art which is not considered to be of particular relevance "E" earlier application or patent but published on or after the international filing date "L" document which may throw doubts on priority claim(s) or which is cited to establish the publication date of another citation or other special reason (as specified) "O" document referring to an oral disclosure, use, exhibition or other means "P" document published prior to the international filing date but later than the priority date claimed "T" later document published after the international filing date or priority date and not in conflict with the application but cited to understand the principle or theory underlying the invention "X" document of particular relevance; the claimed invention cannot be considered novel or cannot be considered to involve an inventive step when the document is taken alone "Y" document of particular relevance; the claimed invention cannot be considered to involve an inventive step when the document is combined with one or more other such documents, such combination being obvious to a person skilled in the art "&" document member of the same patent family		
Date of the actual completion of the international search 17 April 2009		Date of mailing of the international search report 05 MAY 2009
Name and mailing address of the ISA/US Mail Stop PCT, Attn: ISA/US, Commissioner for Patents P.O. Box 1450, Alexandria, Virginia 22313-1450 Facsimile No. 571-273-3201		Authorized officer: Blaine R. Copenheaver PCT Helpdesk: 571-272-4300 PCT OSP: 571-272-7774