



(51) International Patent Classification:

G03B 3/10 (2006.01) G03B 17/00 (2006.01)
G03B 5/02 (2006.01) G03B 17/02 (2006.01)
G03B 13/36 (2006.01) G03B 17/16 (2006.01)
G03B 13/18 (2006.01)

(74) Agent: NATHAN & ASSOCIATES PATENT AGENTS LTD.; P.O. Box 10178, 611010, Tel-Aviv (IL).

(81) Designated States (unless otherwise indicated, for every kind of national protection available): AE, AG, AL, AM, AO, AT, AU, AZ, BA, BB, BG, BH, BN, BR, BW, BY, BZ, CA, CH, CL, CN, CO, CR, CU, CZ, DE, DK, DM, DO, DZ, EC, EE, EG, ES, FI, GB, GD, GE, GH, GM, GT, HN, HR, HU, ID, IL, IN, IR, IS, JP, KE, KG, KN, KP, KR, KZ, LA, LC, LK, LR, LS, LU, LY, MA, MD, ME, MG, MK, MN, MW, MX, MY, MZ, NA, NG, NI, NO, NZ, OM, PA, PE, PG, PH, PL, PT, QA, RO, RS, RU, RW, SA, SC, SD, SE, SG, SK, SL, SM, ST, SV, SY, TH, TJ, TM, TN, TR, TT, TZ, UA, UG, US, UZ, VC, VN, ZA, ZM, ZW.

(21) International Application Number:

PCT/IB2016/053335

(22) International Filing Date:

7 June 2016 (07.06.2016)

(25) Filing Language:

English

(26) Publication Language:

English

(30) Priority Data:

62/183,974 24 June 2015 (24.06.2015) US

(84) Designated States (unless otherwise indicated, for every kind of regional protection available): ARIPO (BW, GH, GM, KE, LR, LS, MW, MZ, NA, RW, SD, SL, ST, SZ, TZ, UG, ZM, ZW), Eurasian (AM, AZ, BY, KG, KZ, RU, TJ, TM), European (AL, AT, BE, BG, CH, CY, CZ, DE, DK, EE, ES, FI, FR, GB, GR, HR, HU, IE, IS, IT, LT, LU, LV, MC, MK, MT, NL, NO, PL, PT, RO, RS, SE, SI, SK, SM, TR), OAPI (BF, BJ, CF, CG, CI, CM, GA, GN, GQ, GW, KM, ML, MR, NE, SN, TD, TG).

(71) Applicant: COREPHOTONICS LTD. [IL/IL]; 25 Habarzel St., Ramat Hachayal, 6971035 Tel-Aviv (IL).

(72) Inventors: AVIVI, Gal; Leon Bloom 2/224 St., 3385101 Haifa (IL). SHABTAY, Gal; 4 Shnitser St., 6958313 Tel-Aviv (IL). GOLDENBERG, Ephraim; 32/25 Tel-Chai Av., 7751025 Ashdod (IL).

[Continued on next page]

(54) Title: LOW PROFILE TRI-AXIS ACTUATOR FOR FOLDED LENS CAMERA

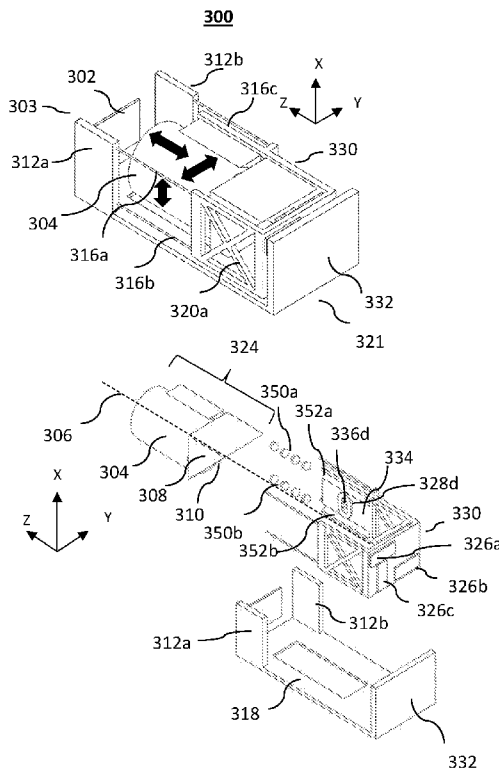
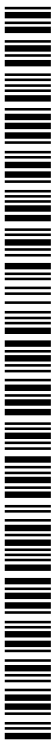


FIG. 3A

(57) Abstract: Folded camera modules in which the camera module height is determined by a folded lens module diameter and by the lens module movement in a direction perpendicular to the lens optical axis, and dual-aperture cameras including such folded camera modules. A folded camera module includes OIS and AF actuators having dimensions smaller than the camera module height and therefore not adding to the camera module height.





Published:

— with international search report (Art. 21(3))

— before the expiration of the time limit for amending the claims and to be republished in the event of receipt of amendments (Rule 48.2(h))

LOW PROFILE TRI-AXIS ACTUATOR FOR FOLDED LENS CAMERA**CROSS-REFERENCE TO RELATED APPLICATIONS**

5 This application claims priority from US Provisional Patent Application No. 62/183974 filed on June 24, 2015 which is expressly incorporated herein by reference in its entirety.

FIELD

10 Exemplary embodiments disclosed herein relate in general to digital cameras and in particular to optical image stabilization (OIS) and auto-focus (AF) in single and/or dual-aperture ("dual-optical module") digital cameras.

BACKGROUND

15 In recent years, mobile devices such as cell-phones (and in particular smart-phones), tablets and laptops have become ubiquitous. Most of these devices include one or two compact cameras: a main rear-facing camera (i.e. a camera on the back side of the device, facing away from the user and often used for casual photography) and a secondary front-facing camera (i.e. a camera located on the front side of the device and often used for video conferencing).

20 Although relatively compact in nature, the design of most of these cameras is very similar to the traditional structure of a digital still camera, i.e. they comprise an optical component (or a train of several optical elements and a main aperture) placed on top of an image sensor. The optical component (also referred to as "optics") refracts the incoming light rays and bends them to create an image of a scene on the sensor. The dimensions of these cameras are largely determined by the size of the sensor and by the height of the optics. These are usually tied together through the focal length ("f") of the lens and its field of view (FOV) – a lens that has to image a certain FOV on a sensor of a certain size has a specific focal length. Keeping the FOV constant, the larger the sensor dimensions (e.g. in a X-Y plane) the larger the focal length and the optics height.

30 In addition to the optics and sensor, modern cameras usually further include mechanical motion (actuation) mechanism for two main purposes: focusing of the image on the sensor and optical image stabilization (OIS). For focusing, in more advanced cameras, the position of the lens module (or at least one lens element in the lens module) can be changed

by means of an actuator and the focus distance can be changed in accordance with the captured object or scene. In these cameras it is possible to capture objects from a very short distance (e.g., 10cm) to infinity. The trend in digital still cameras is to increase the zooming capabilities (e.g. to 5x, 10x or more) and, in cell-phone (and particularly smart-phone) cameras, to decrease the pixel size and increase the pixel count. These trends result in greater sensitivity to hand-shake or in a need for longer exposure time. An OIS mechanism is required to answer the needs in these trends.

In OIS-enabled cameras, the lens or camera module can change its lateral position or tilt angle in a fast manner to cancel the handshake during the image capture. Handshakes move the camera module in 6 degrees of freedom, namely linear movements in three degrees of freedom (X, Y and Z), pitch (tilt around the X axis), yaw (tilt around the Y axis) and roll (tilt around the Z axis). FIG. 1 shows an exemplary classical four rod-springs (**102a-d**) OIS structure in a single-aperture camera module **100**. The four rod-springs are rigidly connected to an upper frame **104** which accommodates usually an AF actuator (not shown) that moves the lens module **106**. This structure allows desired modes of movement in the X-Y plane (translation), FIG. 1a, but also allows a mode of unwanted rotation (torsion) around the Z axis, FIG. 1b. The latter may be due to a combination of several causes such as asymmetric forces applied by the coils or by a user's (or phone) movements, imperfections of the rod-springs and the high rotational compliance of the four-spring rod-spring + frame structure.

In the case of a centered single-aperture camera module, the rotation around the Z axis (according to the exemplary coordinate system shown in FIG. 1) does not affect the image quality severely, since the lens is axisymmetric. However, this does affect OIS in a dual-camera module, FIG. 2A. FIG. 2A shows in (a) a rotation mode around an axis **202** (in the figure, parallel to the Z axis) that is roughly centered between two camera modules **204** and **206** of a dual-aperture camera **200**. Because of the location of rotation axis **202**, the rotation may cause significant deterioration of the image quality. The rotation causes each lens to shift away in undesired directions (shown by arrows in FIG. 2A(b)) in an unpredictable way. The result is motion blur of the image and a shift of the two lenses in opposite Y directions that results in decenter between images received by each camera module and therefore potentially in a catastrophic influence on fusion algorithm results.

Yet another problem may occur in a folded optics zoom dual-aperture camera, such as a camera **250** shown in FIG. 2B. Such a camera is described for example in detail in co-owned international patent application PCT/IB2016/052179. Camera **250** includes a "folded" camera module **252** with a first optical axis **270** and an upright (non-folded) camera module

254 with a second optical axis **272** perpendicular to axis **270**. A 90⁰ folding of an optical path parallel to axis **272** to an optical path parallel axis **270** is performed by an optical path folding element (OPFE) **274**. The OPFE may exemplarily be a prism or mirror. Among other components, folded camera module **252** comprises a lens actuation sub-assembly for moving
5 a lens module **256** (and a lens therein, which is referred to henceforth as "folded lens") in the X-Y plane. The lens actuation sub-assembly includes a hanging structure with four flexible hanging members (i.e. the "rod-springs" referred to above) **258 a-d** that hang lens module **256** over a base **260**. In some exemplary embodiments, hanging members **256a-d** may be in the form of four wires and may be referred to as "wire springs" or "poles". The hanging
10 structure allows in-plane motion as known in the art and described exemplarily in co-owned US patent application No. 14/373490. Exemplarily, a first movement direction **262** of the lens is used to achieve AF and a second movement direction **264** is used to achieve OIS. A third movement, an unwanted rotation **266** of the lens about an axis parallel to the Z axis as described above actually causes an unwanted effect of dynamic tilt of the lens (the lens'
15 optical axis may not be perpendicular to the sensor's surface due to that rotation) and may result in images that are usually sharp on one side and blurry on the other side. The actuators in such cameras are typically voice coil magnet (VCM) actuators. A major problem with known VCMs that provide (X, Y)-direction OIS movement and Z-direction AF movement is that the VCMs are larger along the X and Y axes than the moved lens module.

20 It would be advantageous to have a folded camera module with both AF and OIS mechanisms, where the incorporation of such mechanisms and capabilities should follow standard manufacturing processes and should not result in penalty in camera height. It would be further advantageous to have a folded-lens dual-aperture camera that incorporates such a folded camera module.

25

SUMMARY

In various exemplary embodiments there are provided folded camera modules having respective folded camera module heights, each folded camera module comprising a lens
30 module carrying a lens having a first optical axis, an image sensor positioned at a first end of the folded camera module, a first actuator positioned at a side of the camera module and operable to provide a first movement of the lens module in a first ("focusing") direction parallel to the first optical axis, a second actuator positioned at a second end of the camera module and operable to provide a second movement of the lens module in a second ("height")

direction perpendicular to the first direction, wherein the folded camera module height is defined by a diameter of the lens module and by a range of the second movement, and a third actuator positioned at the second end of the camera module and operable to provide a third movement of the lens module in a third ("width") direction perpendicular to both the first and second directions.

In an exemplary embodiment, an actuator dimension for each actuator in the direction of the camera height is smaller than the camera height.

In an exemplary embodiment, the folded camera module further comprises an OPFE configured to fold an optical path parallel to the first direction toward the first direction.

In an exemplary embodiment, the first movement is enabled by a plurality of rolling balls engaged in a plurality of grooves formed in a member attached to the lens module.

In an exemplary embodiment, the first movement is enabled by a plurality of leaf springs attached to the lens module.

In an exemplary embodiment, the second and third movements are enabled by leaf springs attached to a static part of the folded camera module located between the OPFE and the image sensor.

In an exemplary embodiment, the plurality of rolling balls and the plurality of grooves are dimensioned so as not to increase the folded camera module height.

In an exemplary embodiment, the plurality of leaf springs is dimensioned so as not to increase the folded camera module height.

In an exemplary embodiment, the folded camera module further comprises a fourth actuator positioned at the second end of the camera module and operable to provide a fourth movement to avoid roll around the first optical axis, the fourth actuator having an actuator dimension in the direction of the camera height smaller than the camera height.

In some exemplary embodiments, the OPFE is a prism. In some such embodiments, the lens module is rigidly attached to the prism, forming a lens-prism unit.

In some exemplary embodiments, the folded camera module is included with a second camera module in a dual-aperture camera. The second camera module may be an upright camera module with a second optical axis parallel to the second direction.

BRIEF DESCRIPTION OF THE DRAWINGS

Non-limiting examples of embodiments disclosed herein are described below with reference to figures attached hereto that are listed following this paragraph. The drawings and

descriptions are meant to illuminate and clarify embodiments disclosed herein, and should not be considered limiting in any way. Like elements in different drawings may be indicated like numerals.

FIG. 1 shows a camera module with an exemplary classical four wire-springs OIS structure: (a) modes of wanted X-Y translations, and (b) mode of unwanted rotation around the Z axis;

FIG. 2A shows a dual-aperture camera in (a) rotation mode around an axis roughly centered between two camera modules, and (b) movement of each lens in undesired directions;

FIG. 2B shows a dual-camera module with a folded optics camera module;

FIG. 3A shows schematically an isomeric view of a first exemplary embodiment of a folded camera module disclosed herein;

FIG. 3B shows schematically a first exploded isomeric view of the folded camera module of FIG. 3A;

FIG. 3C shows schematically a second exploded isomeric view of the folded camera module of FIG. 3A;

FIG. 4A shows schematically an isomeric view of a second exemplary embodiment of a folded camera module disclosed herein;

FIG. 4B shows schematically two exploded isomeric views of the folded camera module of FIG. 4A;

FIG. 4C shows schematically the small change in total camera height due to lens module X-axis movement;

FIG. 5A shows schematically an isomeric view of a third exemplary embodiment of a folded camera module disclosed herein;

FIG. 5B shows schematically an exploded isomeric view of the folded camera module of FIG. 5A.

DETAILED DESCRIPTION

In the description below the following system of X-Y-Z coordinates is chosen exemplarily and for explanation purposes only: the Z axis is parallel to the optical axis of the lens module of the folded camera module described below (referred to as "first" optical axis), whereas the X and Y axes are perpendicular to the Z axis and to each other and form a plane parallel to that of the folded camera image sensor, see e.g. FIG. 3. The X axis is also parallel

to a "second" optical axis like axis **272** in FIG. 2B.

FIG. 3A shows schematically an isomeric view of a first embodiment of a folded camera module numbered **300** according to an example disclosed herein. FIG. 3B shows schematically a first exploded isomeric view of folded camera module **300** and FIG. 3C shows schematically a second exploded isomeric view of the folded camera module **300**. Like camera module **100** above, camera module **100** can exemplarily be included (incorporated) in a folded-lens dual-aperture camera like camera **250** or other cameras described in co-owned US patent application No. 20160044247. Camera module **300** comprises an image sensor **302** positioned at a first end **303** of camera module **300** and having an imaging surface in the X-Y plane, a lens module **304** with a first optical axis **306** parallel to the Z axis, and an OPFE in the form of a prism **308** having a reflecting plane **310** with a normal tilted at 45 degrees to the image sensor surface, such that light arriving from the X direction is tilted by the prism to the Z direction. The OPFE will henceforth be referred to generically as "prism", with the understanding that it can also be a mirror or any other reflecting element. Lens module **304** is rigidly coupled to the prism and the two elements form a single "lens-prism unit" **324** (such that the lens and prism move together). In contrast with camera module **100**, camera module **300** comprises a combined lens and prism actuation assembly (also referred to as lens-prism actuation assembly) for moving lens-prism unit **324** in three directions X-Y-Z. The lens-prism actuation assembly includes a hanging structure **316** comprising four flexible hanging members **316a-d** that hang the lens-barrel unit between vertical sections **312a** or **312b** rigidly coupled to a base **318** and to a moving support structure **330**. Members **316a-d** may be in the form of four wires and may be referred to as "wire springs" or "poles". Hanging structure **316** allows X-Y motion as known in the art. Support structure **330** is shown exemplarily as having a U-shape, with two side members **320a** and **320b** and a back frame **322**. The back panel is positioned at a second end **321** of the folded camera module, which is opposite to the first end along the first optical axis. Hanging members **316a-d** extend between vertical sections **312a** and **312b** and side members **320a** and **320b**.

Note that as used herein, the terms "first end" and "second end" are not necessarily limited to physical ends of the folded camera module, but rather relate to positions along an optical path: the first end is in the optical path before the prism and/or the folded lens module, as in FIGS. 3A-C herein, while the second end is in the optical path after the folded lens module and/or an additional prism (the latter for example as in a folded camera module shown in FIG. 3 of co-owned US patent application No. 20160044247).

In camera module **300**, the lens-prism actuation assembly comprises four actuators

(e.g. voice coil motors or "VCM"s), each actuator including a respective magnet and coil. Thus, a first actuator comprises a magnet **326a** and a coil **328a**, a second actuator comprises a magnet **326b** and a coil **328b**, a third actuator comprises a magnet **326c** and a coil **328c** and a fourth actuator comprises a magnet **326d** and a coil **328d**. The first, second and third
5 actuators are operable to impart to the lens-prism unit an in-plane motion relative to base **318** in substantially the X-Y plane, e.g. for OIS. These actuators are also operable to avoid lens-prism unit rotation (tilt) motion around the Z-axis. The fourth actuator is a "side" actuator, operable to impart the lens-prism unit a motion along the Z-axis for focusing (i.e. for autofocus). As shown in the exploded view in FIG. 3B, magnets **326a**, **326b** and **326c** are
10 positioned on back panel **332** that is parallel to back frame **322**, while magnet **326d** is positioned on a side panel **340** that is rigidly attached to the lens. Coils **328a**, **328b** and **328c** are positioned on a back board **332** facing respective magnets **326a**, **326b** and **326c** on back panel **332**, while coil **328d** is positioned on a side board **334** that is rigidly attached to side member **320b**. The first, second and third actuators are also referred to as "back actuators"
15 while the fourth actuator is also referred to as "side actuator". Position sensors (for example Hall bar position sensors) **336** are provided for each magnet-coil pair. For example, a Hall bar sensor **336a** is positioned in proximity to magnet **326a**, a Hall bar sensor **336b** is positioned in proximity to magnet **326b**, a Hall bar sensor **336c** is positioned in proximity to magnet **326c** and a Hall bar sensor **336d** is positioned in proximity to magnet **326d**. The movement
20 along the Z axis for focusing, actuated by the side actuator, is enabled by two sets of rolling balls **350a** and **350b** arranged to engage and be positioned between two grooves **352a** and **352b** in side board **334** and two grooves **354a** and **354b** in side panel **340**, as known in the art.

Advantageously, all four actuators are positioned so as not to add height to the folded
25 camera module. The folded camera module height is solely determined by the diameter of the lens module and its movement range in the X direction (see also FIG. 4). The positioning of the side actuator components - magnet **326d** on side panel **340** and of coil **328d** on side board **334** - is also advantageous for providing the Z direction movement without impacting camera module height. Further advantageously, the positioning of the actuators is such that they do
30 not block or interfere with an optical path between on object being imaged and the folded camera module image sensor. Specifically, the prism is positioned between the actuators used for OIS and the image sensor. Further advantageously yet, a camera module disclosed herein may be low cost manufactured with proven technology.

In operation, a Lorentz force may be applied on magnets **326a-b** along the X axis

direction and on magnet **326c** along the Y axis direction. Having these three forces on the three magnets allows three mechanical degrees of freedom in the motion of the center of mass of the lens and prism: linear X and Y motions and tilt around Z axis motion. The X-Y motion of the lens-prism unit can be measured by the respective Hall bars coupled to the magnetic field created by the respective magnets. Similarly, a Lorenz force may be applied by magnet **326d** along the Z direction to allow linear motion along the Z axis. More details about the operation of the various actuators may be found in co-owned patent application No. PCT/IB2016/052179.

FIG. 4A shows schematically an isomeric view of a second embodiment of a folded camera module numbered **400** according to an example disclosed herein. FIG. 4B shows schematically two exploded isomeric views of folded camera module **400**, while FIG. 4C shows schematically the small change in total camera height due to lens module X-axis movement in camera module **400** as well as the total height dimension H. In general, embodiment **400** includes the same components as embodiment **300**, except that the lens module is decoupled from the prism. The lens is movable in the X-Y plane while the prism is fixed (not moving). Since the lens is axisymmetric and the prism is fixed, tilt around Z does not affect the quality of an image obtained at the image sensor. For this reason, camera module **400** may include only three of the four actuators, i.e. only actuators **324b-d**, since actuator **324a** is not needed for the X-Y in-plane movement. Consequently, only three Hall-bar sensors are needed for position sensing. Of these, only **326b** and **326c** are shown. The change due to the lens module movement (i.e. the lens module movement range) is equal to the distance between by two extreme lens module positions, a lower position marked by **402** and an upper position marked by **404**. The total height H of the folded camera module is determined by the lens module diameter D plus the change due to the lens module movement.

FIG. 5A shows schematically an isomeric view of a third embodiment of a folded camera module numbered **500** according to an example disclosed herein. FIG. 5B shows schematically an exploded isomeric view of the folded camera module **500**. In contrast with camera modules **300** and **400**, in camera module **500** the movement along the Z axis for focusing is enabled by a hanging structure comprising four flexible hanging members **502a-d** that hang the lens-barrel to side board **334**. This removes the need for rolling balls and grooves. Members **502a-c** may be leaf springs. Members **502a-d** are mechanically coupled to lens module **304** through a panel **504** that is rigidly attached to the lens module. Actuation by the side actuator (of which only the magnet **326d** is shown) causes flexing of members **502a-d** in the Z-direction, allowing the Z-movement of the lens module for AF.

All patents and patent applications mentioned in this application are hereby incorporated by reference in their entirety for all purposes set forth herein. It is emphasized that citation or identification of any reference in this application shall not be construed as an admission that such a reference is available or admitted as prior art.

5 While this disclosure has been described in terms of certain embodiments and generally associated methods, alterations and permutations of the embodiments and methods will be apparent to those skilled in the art. For example, while the incorporation of a folded camera module described herein in a dual-aperture camera is described in some detail, a folded camera module may be incorporated in a multi-aperture camera with more than two
10 camera modules. For example, while the use of Hall bars as exemplary position sensors is described in detail, other position sensors (for example MEMS-type) may be used for purposes set forth herein. The disclosure is to be understood as not limited by the specific embodiments described herein, but only by the scope of the appended claims.

WHAT IS CLAIMED IS

1. A folded camera module having a respective folded camera module height and first and second ends, comprising:
 - a) a lens module carrying a lens having a first optical axis;
 - b) an image sensor positioned at the first end;
 - c) a first actuator positioned at a side of the camera module and operable to provide a first movement of the lens module in a first direction parallel to the first optical axis;
 - d) a second actuator positioned at the second end and operable to provide a second movement of the lens module in a second direction perpendicular to the first direction, wherein the folded camera module height is defined by a diameter of the lens module and by a range of the second movement; and
 - e) a third actuator positioned at the second end of the camera module and operable to provide a third movement of the lens module in a third direction perpendicular to both the first and second directions.
2. The folded camera module of claim 1, wherein an actuator dimension for each of the first, second and third actuators in the direction of the folded camera module height is smaller than the folded camera module height.
3. The folded camera module of claim 1, further comprising an optical path folding element (OPFE) configured to fold an optical path parallel to the second direction toward the first direction.
4. The folded camera module of claim 1, wherein the first movement is enabled by a plurality of rolling balls engaged in a plurality of grooves formed in a member attached to the lens module.
5. The folded camera module of claim 1, wherein the first movement is enabled by a plurality of leaf springs attached to the lens module.
6. The folded camera module of claim 3, wherein the second and third movements are enabled by leaf springs attached to a static part of the folded camera module located between the OPFE and the image sensor.

7. The folded camera module of claim 4, wherein the plurality of rolling balls and the plurality of grooves are dimensioned so as not to increase the folded camera module height.
8. The folded camera module of claim 5, wherein the plurality of leaf springs is dimensioned so as not to increase the folded camera module height.
9. The folded camera module of claim 3, wherein the OPFE is a prism.
10. The folded camera module of claim 9, wherein the prism is fixed relative to the first, second and third actuators.
11. The folded camera module of claim 9, wherein the lens module is rigidly attached to the prism, forming a lens-prism unit.
12. The folded camera module of claim 2, further comprising a fourth actuator positioned at the second end of the camera module and operable to provide a fourth movement to avoid roll around the first optical axis, the fourth actuator having an actuator dimension in the direction of the camera height smaller than the camera height.
13. The folded camera module of claim 12, wherein a fourth actuator dimension in the direction of the folded camera module height is smaller than the folded camera module height.
14. The folded camera module of claim 12, further comprising an optical path folding element (OPFE) configured to fold an optical path parallel to the second direction toward the first direction.
15. The folded camera module of claim 12, wherein the first movement is enabled by a plurality of rolling balls engaged in a plurality of grooves formed in a member attached to the lens module.
16. The folded camera module of claim 12, wherein the first movement is enabled by a plurality of leaf springs attached to the lens module.

17. The folded camera module of claim 15, wherein the plurality of rolling balls and the plurality of grooves are dimensioned so as not to increase the folded camera module height.
18. The folded camera module of claim 16, wherein the plurality of leaf springs is dimensioned so as not to increase the folded camera module height.
19. The folded camera module of claim 14, wherein the OPFE is a prism.
20. The folded camera module of claim 11, wherein the prism is fixed relative to the first, second and third actuators.
21. The folded camera module of any of the claims 1-20, included with a second camera module in a dual-aperture camera.
22. The folded camera module of claim 21, wherein the second camera module is an upright camera module with a second optical axis parallel to the second direction.

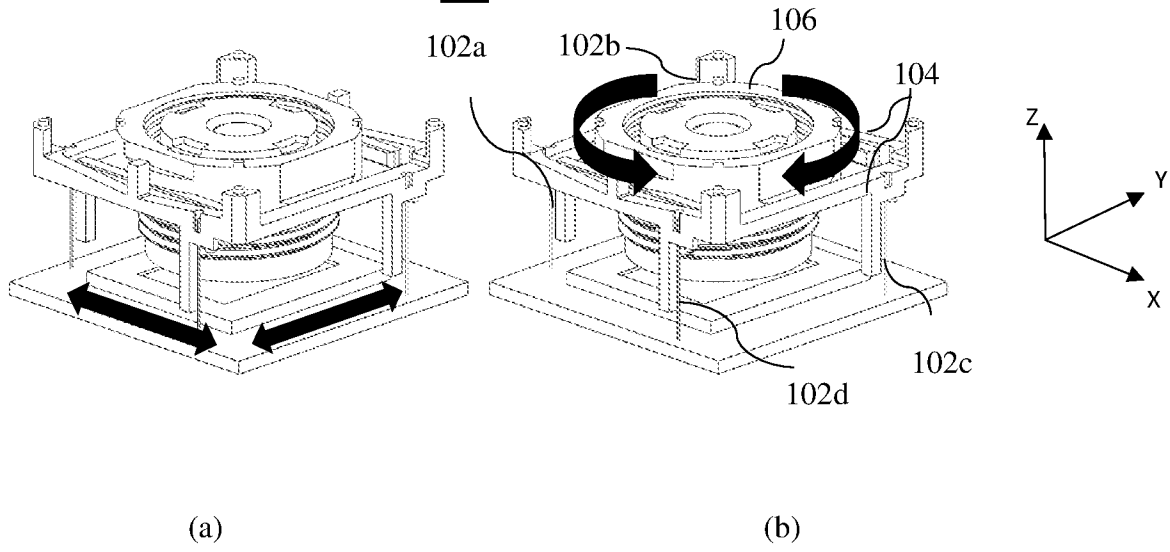


FIG. 1

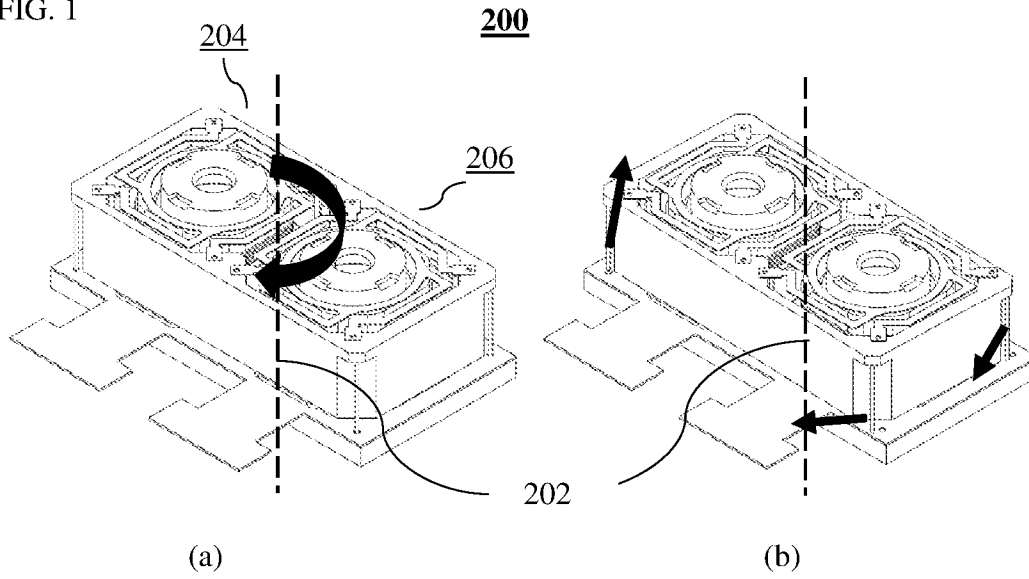


FIG. 2A

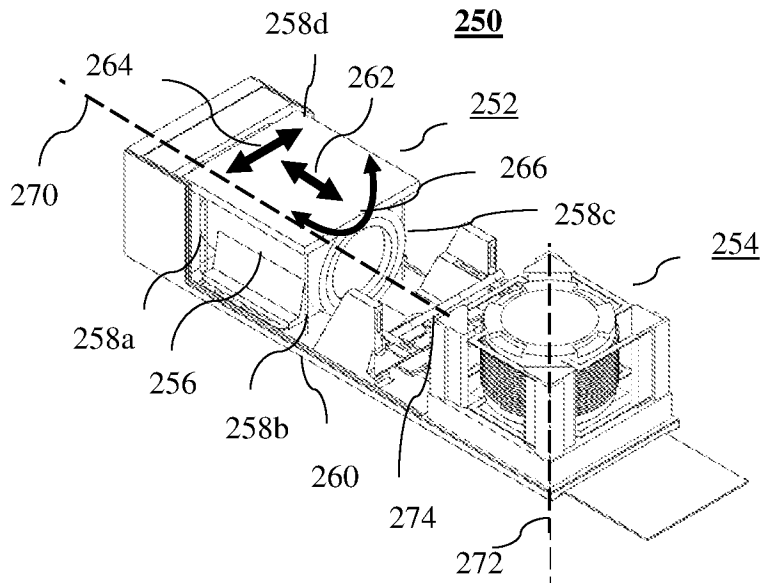


FIG. 2B

300

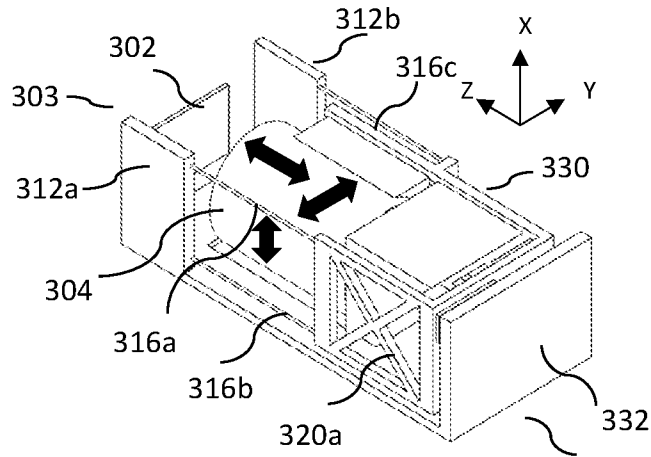


FIG. 3A

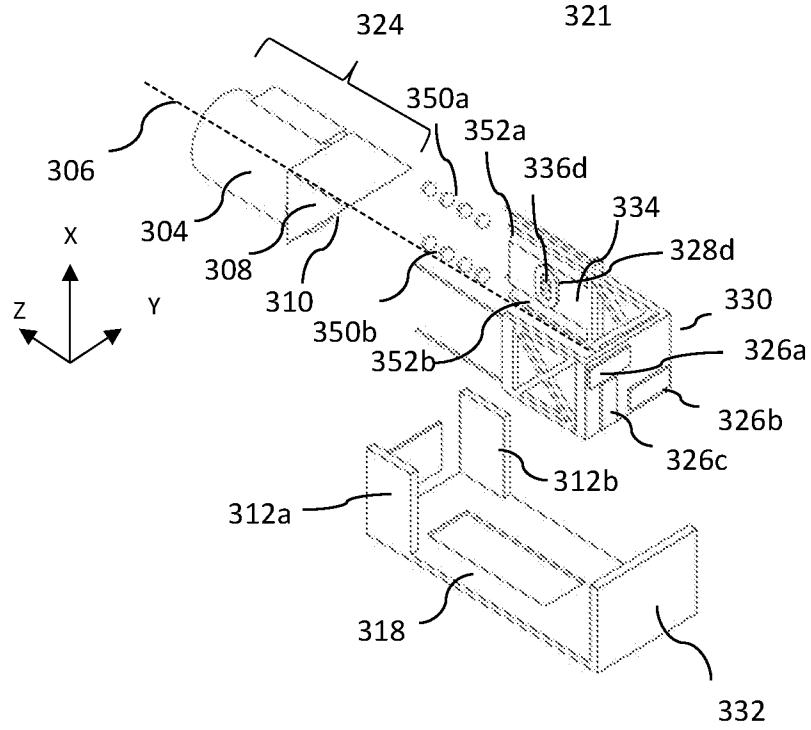


FIG. 3B

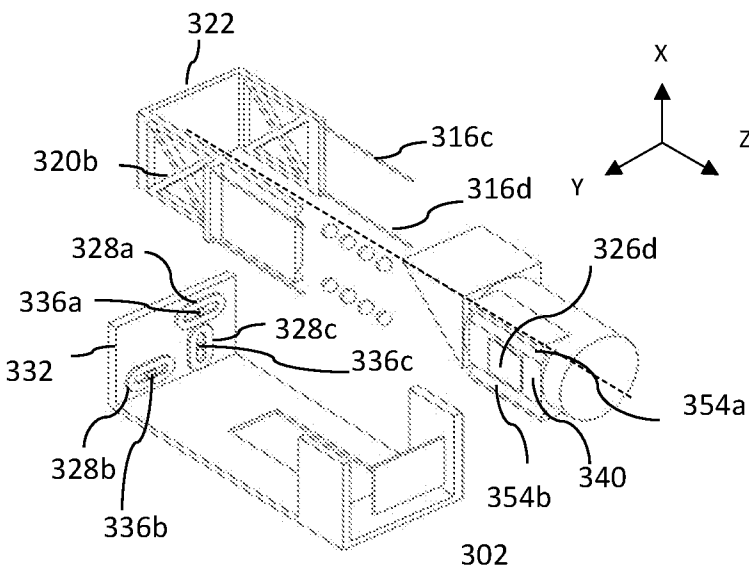


FIG. 3C

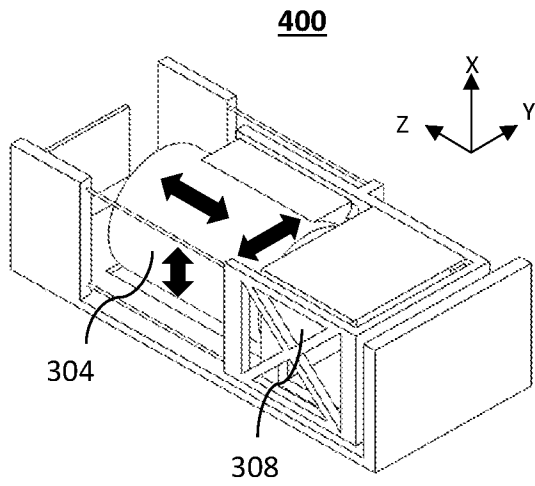


FIG. 4A

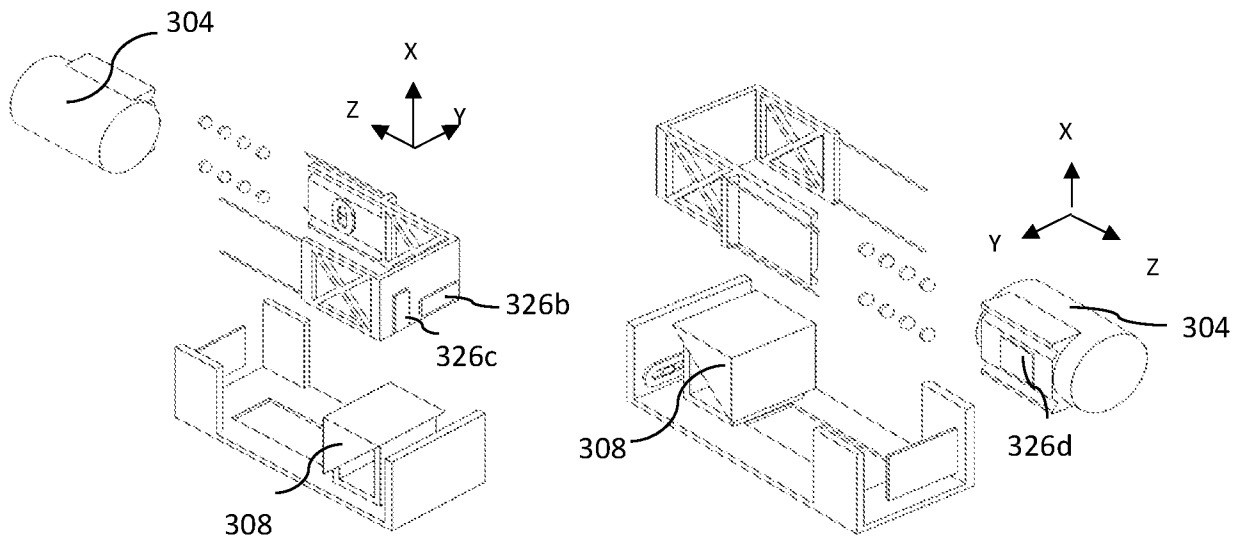


FIG. 4B

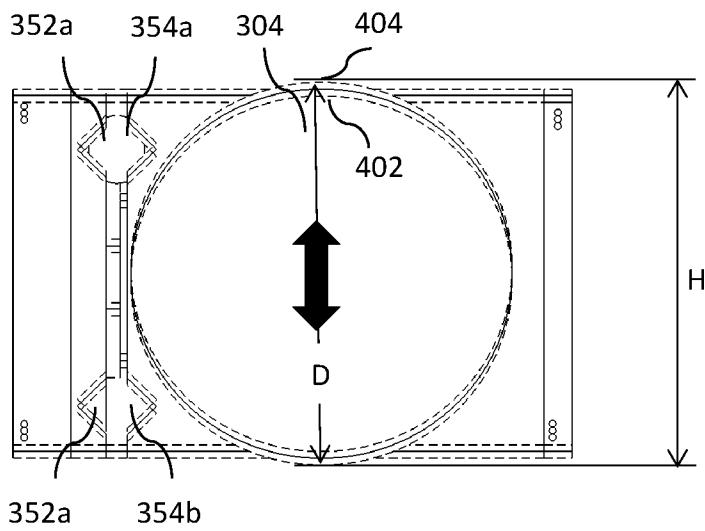


FIG. 4C

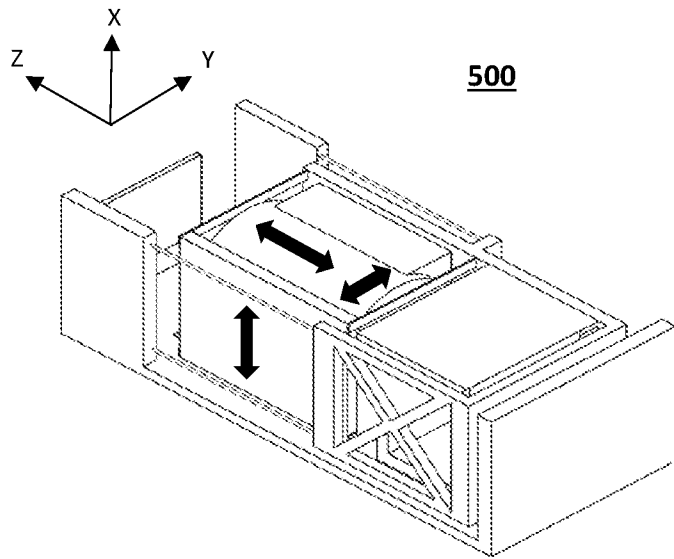


FIG. 5A

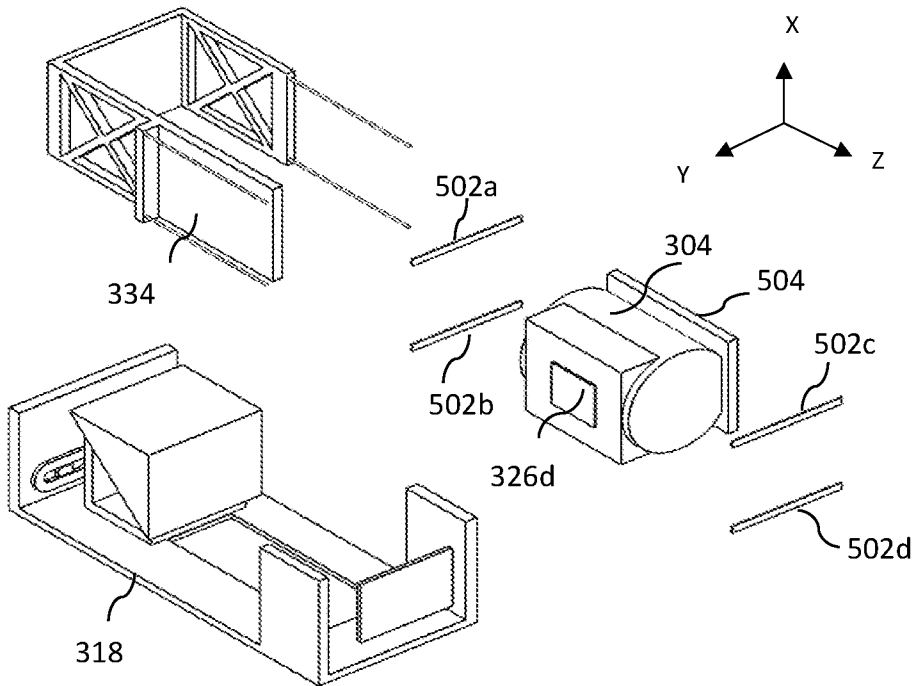


FIG. 5B

INTERNATIONAL SEARCH REPORT

International application No.
PCT/IB16/53335

A. CLASSIFICATION OF SUBJECT MATTER
 IPC(8) - G03B 3/10, 5/02, 13/36, 13/18, 17/00, 17/02, 17/16 (2016.01)
 CPC - G03B 3/10, 5/02, 17/00, 17/02, 17/17, 17/245, 17/565; H04N 5/232
 According to International Patent Classification (IPC) or to both national classification and IPC

B. FIELDS SEARCHED
 Minimum documentation searched (classification system followed by classification symbols)
 IPC(8): G03B 3/10, 5/00, 5/02, 5/04, 13/36, 13/18, 17/00, 17/02, 17/16 (2016.01)
 CPC: G03B 3/10, 5/00, 5/02, 5/04, 17/00, 17/02, 17/17, 17/245, 17/565; H04N 5/232

Documentation searched other than minimum documentation to the extent that such documents are included in the fields searched

Electronic data base consulted during the international search (name of data base and, where practicable, search terms used)
 PatSeer (US, EP, WO, JP, DE, GB, CN, FR, KR, ES, AU, IN, CA, INPADOC Data); Google Scholar, Ebsco, IEEE
 KEYWORDS: folded, bent, creased, doubled over, camera, video camera, photographer, imager, actuator, controller, operator, mover, displace, move, translate, relocate, shift, lens, optic, prism, three, 3, multiple, several, many, directions, dimensions, axis, perpendicular

C. DOCUMENTS CONSIDERED TO BE RELEVANT

Category*	Citation of document, with indication, where appropriate, of the relevant passages	Relevant to claim No.
A	US 2008/0079813 A1 (SUZUKI, Y) April 03, 2008; figures 1 & 2, paragraphs [0025], [0032]	1-22
A	WO 2015/015383 A1 (COREPHOTONICS LTD.) February 05, 2015; figures 1b & 2	1-22
A	US 3,760,704 A (BAKER, J) September 25, 1973; figure 2, column 2, lines 20-25	1-22
A	WO 2015/0015196 A2 (COREPHOTONICS LTD.) January 08, 2015; entire document	1-22

Further documents are listed in the continuation of Box C. See patent family annex.

* Special categories of cited documents:
 "A" document defining the general state of the art which is not considered to be of particular relevance
 "E" earlier application or patent but published on or after the international filing date
 "L" document which may throw doubts on priority claim(s) or which is cited to establish the publication date of another citation or other special reason (as specified)
 "O" document referring to an oral disclosure, use, exhibition or other means
 "P" document published prior to the international filing date but later than the priority date claimed
 "T" later document published after the international filing date or priority date and not in conflict with the application but cited to understand the principle or theory underlying the invention
 "X" document of particular relevance; the claimed invention cannot be considered novel or cannot be considered to involve an inventive step when the document is taken alone
 "Y" document of particular relevance; the claimed invention cannot be considered to involve an inventive step when the document is combined with one or more other such documents, such combination being obvious to a person skilled in the art
 "&" document member of the same patent family

Date of the actual completion of the international search 30 September 2016 (30.09.2016)	Date of mailing of the international search report 28 OCT 2016
---	--

Name and mailing address of the ISA/US Mail Stop PCT, Attn: ISA/US, Commissioner for Patents P.O. Box 1450, Alexandria, Virginia 22313-1450 Facsimile No. 571-273-8300	Authorized officer Shane Thomas PCT Helpdesk: 571-272-4300 PCT OSP: 571-272-7774
---	--