



US00D994864S

(12) **United States Design Patent**  
**Rahn et al.**

(10) **Patent No.:** **US D994,864 S**  
(45) **Date of Patent:** **\*\* Aug. 8, 2023**

- (54) **FILTER CARTRIDGE**
- (71) Applicant: **Donaldson Company, Inc.**,  
Minneapolis, MN (US)
- (72) Inventors: **Hubert J. Rahn**, Maple Grove, MN  
(US); **David J. Burton**, Minneapolis,  
MN (US)
- (73) Assignee: **Donaldson Compay, Inc.**,  
Bloomington, MN (US)

- 5,792,247 A 8/1998 Gillingham et al.
- D398,046 S 9/1998 Gillingham et al.
- D399,944 S 10/1998 Gillingham et al.
- 5,820,646 A 10/1998 Gillingham et al.
- D405,157 S \* 2/1999 Hayes ..... D23/209
- 5,888,442 A 3/1999 Kometani et al.

(Continued)

**FOREIGN PATENT DOCUMENTS**

- DE 20 2006 020 287 3/2008
- DE 20 2008 017 059 5/2010

(Continued)

*Primary Examiner* — Calvin E Vansant  
(74) *Attorney, Agent, or Firm* — Merchant & Gould P.C.

- (\*\*) Term: **15 Years**
- (21) Appl. No.: **29/758,137**
- (22) Filed: **Nov. 12, 2020**

(57) **CLAIM**  
The ornamental design for a filter cartridge, as shown and described.

**Related U.S. Application Data**

- (62) Division of application No. 29/653,489, filed on Jun. 15, 2018, now Pat. No. Des. 905,842.
- (51) **LOC (14) Cl.** ..... **23-04**
- (52) **U.S. Cl.** ..... **D23/365**
- (58) **Field of Classification Search**  
USPC ..... D23/209, 358, 355, 364, 365, 386–393  
CPC ..... F24F 13/0218; F24F 13/06; F24F 13/062;  
F24F 2013/0608; F24F 2221/14; B64D  
33/02; B64D 2033/0246; F02C 7/05;  
B01D 46/0002; B01D 45/16  
See application file for complete search history.

**DESCRIPTION**

FIG. 1 is a perspective view of our new design for a filter cartridge, being shown generally toward an inlet end, and toward a cartridge side.

FIG. 2 is a first side elevational view of the filter cartridge of FIG. 1.

FIG. 3 is a second side elevational view of the cartridge of FIG. 1, the view of FIG. 3 generally being toward an opposite side to that viewable in FIG. 2.

FIG. 4 is third side elevational view taken generally toward the right side of the view of FIG. 2.

FIG. 5 is a fourth side elevational view of the filter cartridge of FIG. 1, taken generally opposite the view of FIG. 4.

FIG. 6 is an inlet end plan view of the cartridge of FIG. 1, and taken toward the top of FIG. 1; and,

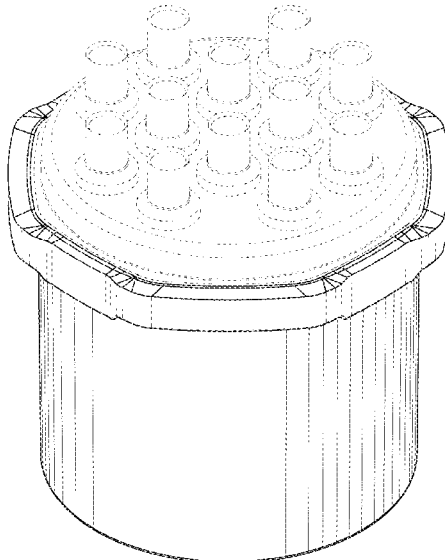
FIG. 7 is an outlet end plan view of the cartridge of FIG. 1; the end viewable being opposite FIG. 6.

In the Figures, dotted lines depict portions of the filter cartridge that form no part of the claimed invention.

(56) **References Cited**  
**U.S. PATENT DOCUMENTS**

- 4,925,561 A 5/1990 Ishii et al.
- 5,049,326 A 9/1991 Matsumoto et al.
- 5,562,825 A 10/1996 Yamada et al.
- 5,613,992 A 3/1997 Engel
- 5,772,883 A 6/1998 Rothman et al.
- D396,098 S 7/1998 Gillingham et al.

**1 Claim, 7 Drawing Sheets**



(56)

References Cited

U.S. PATENT DOCUMENTS

5,895,574 A 4/1999 Friedmann et al.  
 5,902,364 A 5/1999 Tokar et al.  
 6,039,778 A 3/2000 Coulonvaux  
 D428,128 S 7/2000 Gillingham et al.  
 6,179,890 B1 1/2001 Ramos et al.  
 D437,401 S 2/2001 Ramos et al.  
 6,190,432 B1 2/2001 Gieseke et al.  
 6,210,469 B1 4/2001 Tokar  
 6,235,195 B1 5/2001 Tokar  
 6,293,984 B1 9/2001 Oda  
 6,350,296 B1 2/2002 Warner  
 D479,300 S \* 9/2003 Janik ..... D23/209  
 6,673,136 B2 1/2004 Gillingham et al.  
 D487,497 S \* 3/2004 Ti ..... D23/209  
 7,070,641 B1 7/2006 Gunderson  
 7,247,183 B2 7/2007 Connor et al.  
 7,625,419 B2 12/2009 Nelson et al.  
 D638,517 S \* 5/2011 Greenway-Balnar ..... D23/209  
 8,012,227 B2 9/2011 Greif  
 8,518,139 B2 8/2013 Jessberger  
 8,685,130 B2 4/2014 Nelson et al.  
 8,728,193 B2 5/2014 Flagstad et al.  
 D732,172 S \* 6/2015 Okazaki ..... D24/162  
 9,242,199 B2 1/2016 Nelson et al.  
 9,308,482 B2 4/2016 Kaiser  
 9,320,997 B2 4/2016 Campbell et al.  
 9,446,339 B2 9/2016 Rieger et al.  
 9,463,404 B2 10/2016 Rieger et al.  
 9,555,730 B1 1/2017 Flagstad et al.  
 9,579,596 B2 2/2017 Rieger et al.  
 D791,276 S \* 7/2017 Sharratt ..... D23/209  
 D810,786 S 2/2018 Chen  
 D810,859 S \* 2/2018 Lu ..... D23/209  
 10,029,202 B2 7/2018 Nelson et al.  
 10,053,210 B2 8/2018 Necci  
 D835,778 S \* 12/2018 Mozzicato ..... D24/176  
 D867,568 S \* 11/2019 Gleixner ..... D23/365  
 10,532,310 B2 1/2020 Burton  
 10,610,816 B2 4/2020 Campbell et al.  
 D905,842 S \* 12/2020 Rahn ..... D23/365  
 D932,048 S \* 9/2021 Laible ..... F02M 35/024  
 D24/220

2004/0187689 A1 9/2004 Sporre et al.  
 2004/0194441 A1 10/2004 Kirsch  
 2005/0016138 A1 1/2005 Sheidler  
 2005/0130508 A1 6/2005 Yeh  
 2007/0289265 A1 12/2007 Coulonvaux  
 2008/0209869 A1 9/2008 Rother  
 2008/0282890 A1 11/2008 Rocklitz et al.  
 2009/0056293 A1 3/2009 Styles  
 2009/0127211 A1 5/2009 Rocklitz et al.  
 2010/0032365 A1 2/2010 Moe et al.  
 2010/0258493 A1 10/2010 Kindkeppel  
 2011/0308214 A1 12/2011 Jessberger  
 2013/0019576 A1 1/2013 Krisko  
 2014/0208705 A1 7/2014 Krull  
 2014/0251895 A1 9/2014 Wagner  
 2014/0260143 A1 9/2014 Kaiser  
 2014/0290194 A1 10/2014 Karlheinz et al.  
 2014/0318091 A1 10/2014 Rieger et al.  
 2014/0318092 A1 10/2014 Rieger  
 2015/0013289 A1 1/2015 Hasenfratz et al.  
 2015/0013291 A1 1/2015 Neef  
 2016/0305375 A1 10/2016 Finn  
 2017/0001134 A1 1/2017 Rieger et al.  
 2017/0175685 A1 6/2017 Metzger  
 2017/0234277 A1 8/2017 Flagstad et al.  
 2018/0345196 A1\* 12/2018 Campbell ..... F02M 35/024  
 2020/0230537 A1 7/2020 Campbell et al.  
 2020/0230541 A1 7/2020 Burton  
 2021/0077932 A1 3/2021 Rahn

FOREIGN PATENT DOCUMENTS

DE 10 2009 009 066 8/2010  
 WO WO 97/40918 A1 11/1997  
 WO WO 03/047722 A2 6/2003  
 WO WO 03/084641 A2 10/2003  
 WO WO 2004/007054 1/2004  
 WO WO 2004/082795 A2 9/2004  
 WO WO 2005/077487 A2 8/2005  
 WO WO 2005/094655 10/2005  
 WO WO 2008/106375 9/2008  
 WO WO 2009/033040 3/2009  
 WO WO 2014/210541 12/2014  
 WO WO 2016/034657 3/2016  
 WO WO 2016/077377 A1 5/2016  
 WO WO 2019/046614 7/2019

\* cited by examiner

FIG. 1

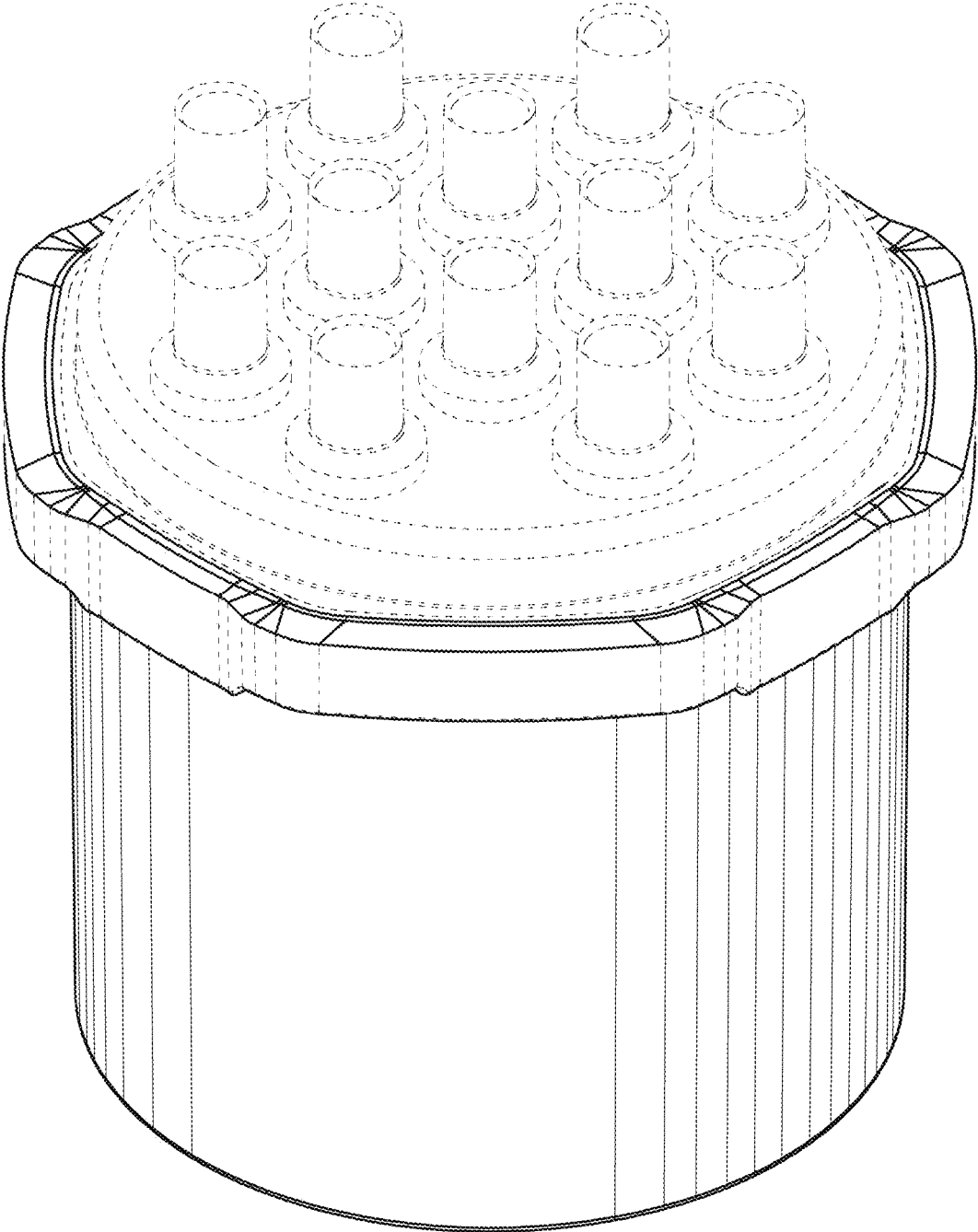


FIG. 2

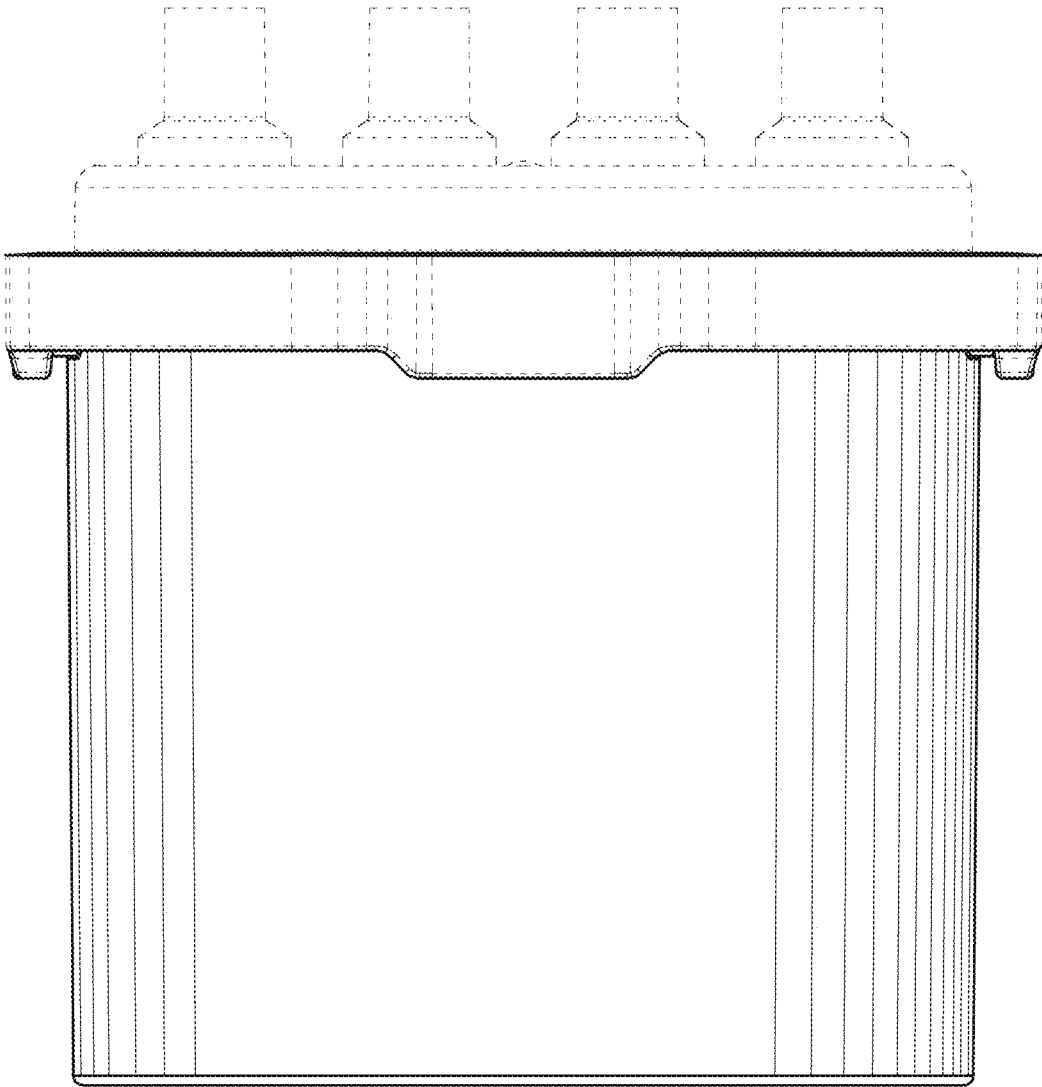


FIG. 3

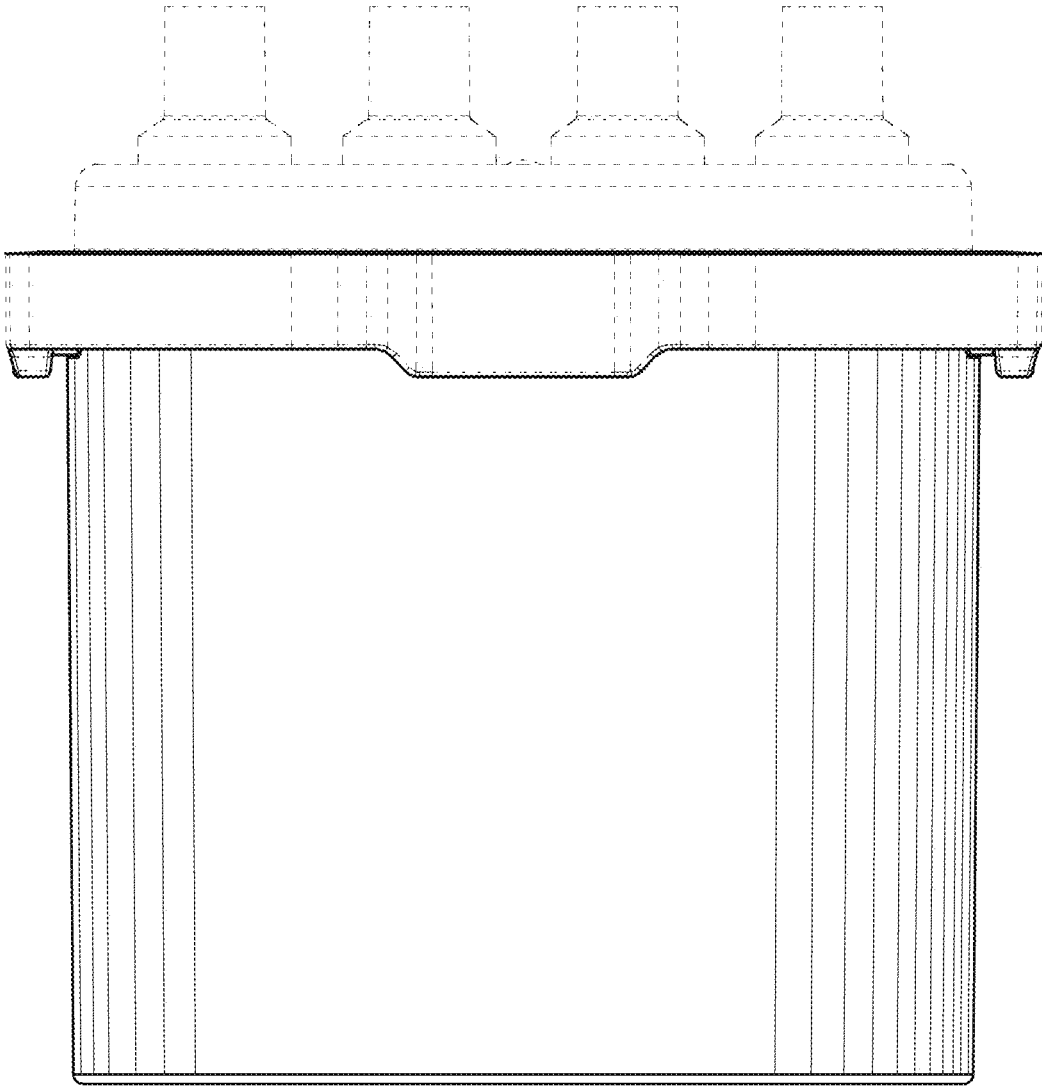


FIG. 4

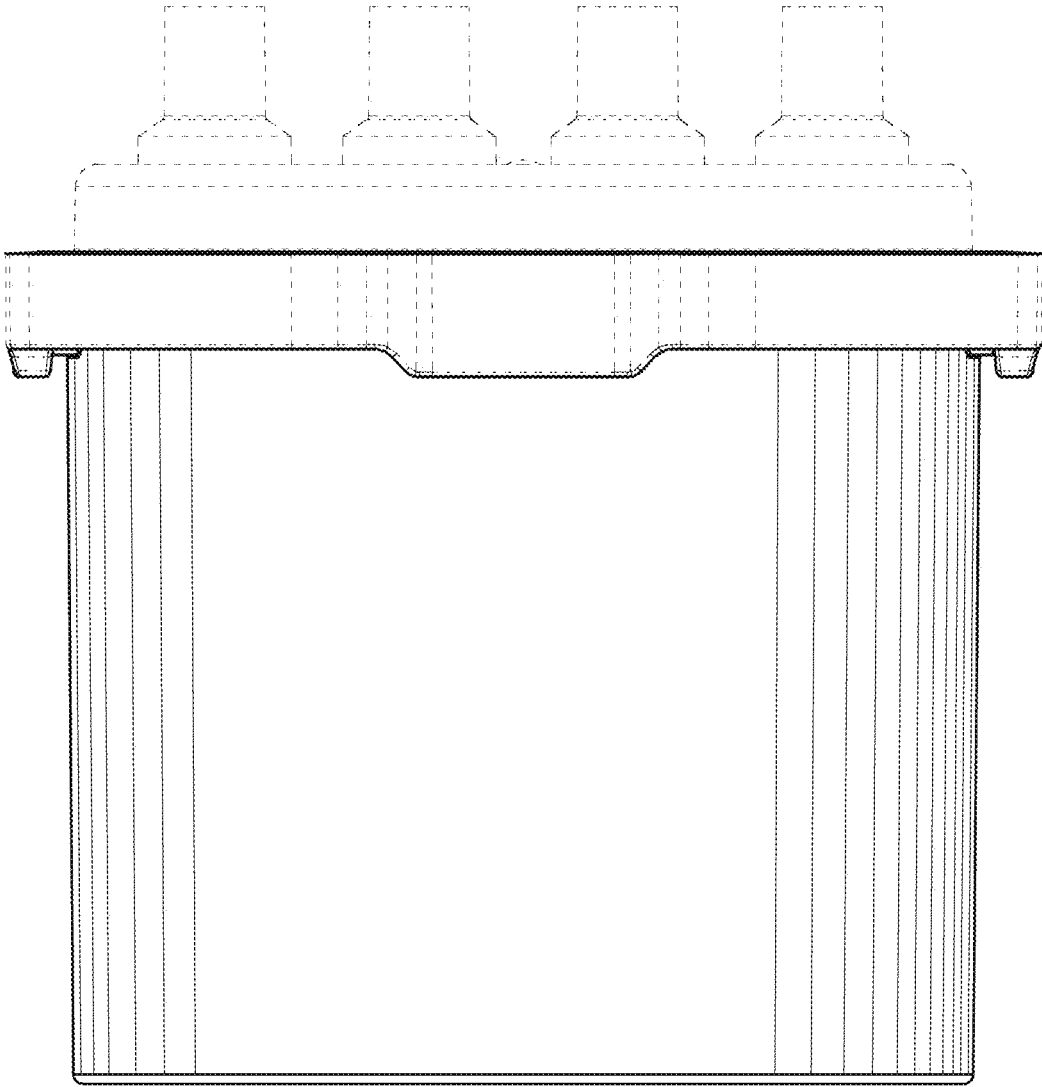


FIG. 5

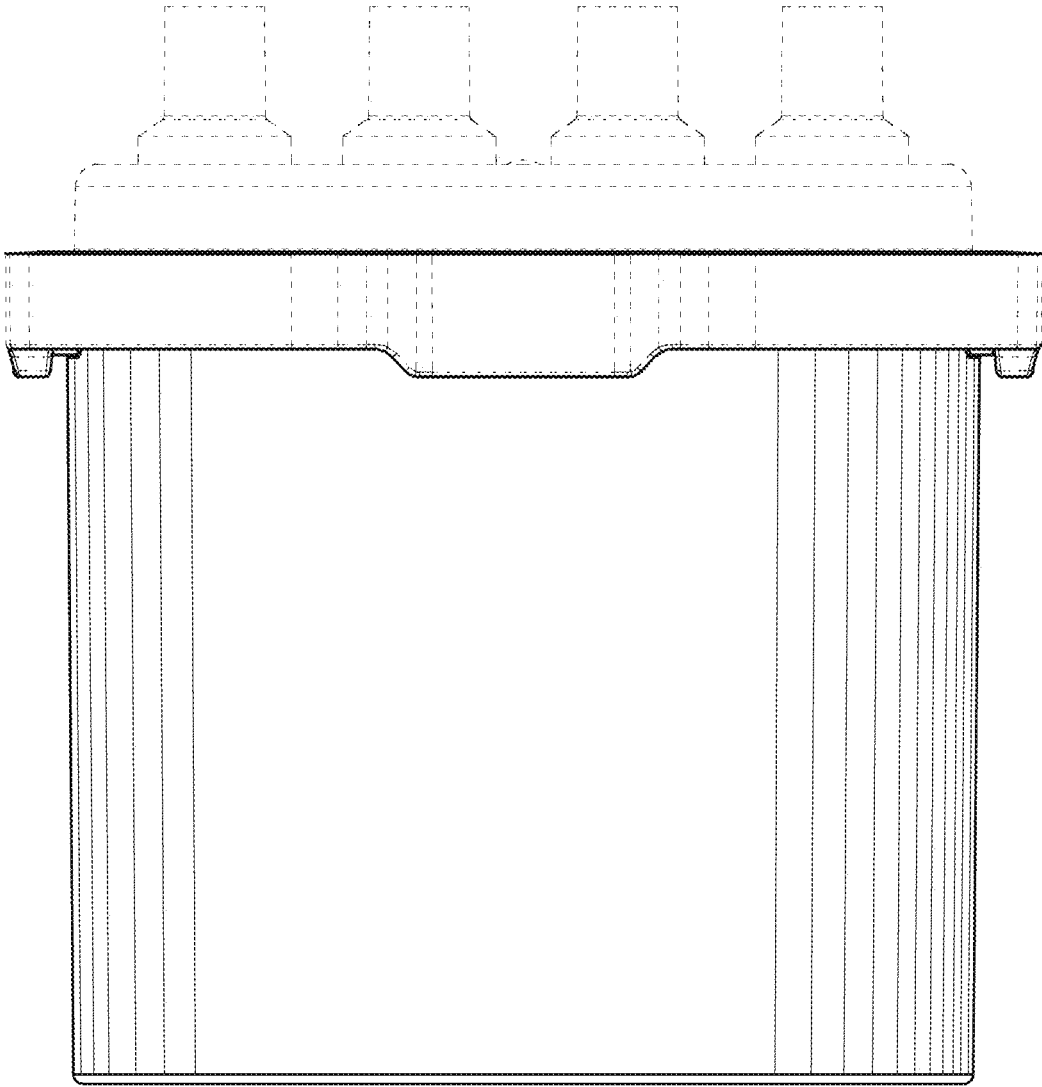


FIG. 6

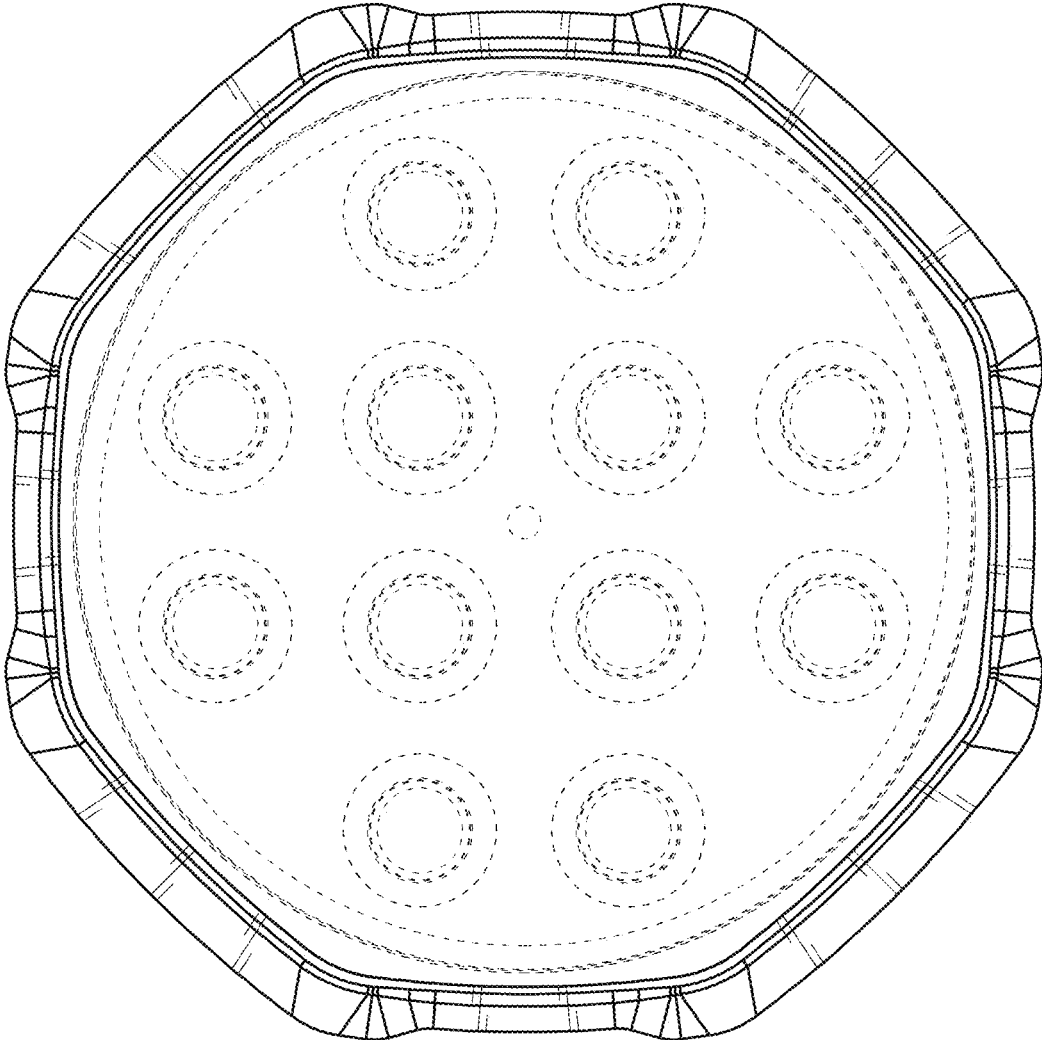


FIG. 7

