



US00D745726S

(12) **United States Design Patent**  
**McMahan et al.**

(10) **Patent No.:** **US D745,726 S**

(45) **Date of Patent:** **\*\* Dec. 15, 2015**

- (54) **VEHICLE FRONT HEADLAMP**
- (71) Applicant: **GM Global Technology Operations LLC**, Detroit, MI (US)
- (72) Inventors: **Robert B. McMahan**, Bloomfield Hills, MI (US); **Brendon C. Mackay**, Shelby Township, MI (US); **Tyler L. H. Moffett**, Detroit, MI (US)
- (73) Assignee: **GM Global Technology Operations LLC**, Detroit, MI (US)
- (\*\*) Term: **14 Years**
- (21) Appl. No.: **29/503,974**
- (22) Filed: **Oct. 1, 2014**
- (51) **LOC (10) Cl.** ..... **26-06**
- (52) **U.S. Cl.**  
USPC ..... **D26/28**
- (58) **Field of Classification Search**  
USPC ..... D26/28-36; 362/459-468, 475-478, 362/485-487  
CPC ..... F21S 48/00; F21S 48/225; F21S 48/1233; F21S 48/1266; F21S 48/1388; F21S 48/2268; F21V 21/04  
See application file for complete search history.

- D535,409 S \* 1/2007 Yamaguchi ..... D26/28
- D544,614 S \* 6/2007 Markefka ..... D26/28
- D635,694 S \* 4/2011 Yang et al. .... D26/28
- D683,057 S 5/2013 Aikawa et al.
- D683,487 S 5/2013 Scheinhutte et al.
- D683,488 S 5/2013 Scheinhutte et al.
- D683,875 S 6/2013 Platto et al.

**OTHER PUBLICATIONS**

Design U.S. Appl. No. 29/457,759, filed Jun. 12, 2013, First Named Inventor: Niels Loeb; Title: Vehicle Headlight; 6 pages.  
 Design U.S. Appl. No. 29/457,686, filed Jun. 12, 2013, First Named Inventor: Niels Loeb; Title: Vehicle Headlight; 5 pages.  
 Design U.S. Appl. No. 29/473,113, filed Nov. 19, 2013; First Named Inventor: Louis D. Thole; Title: Vehicle Front Headlamp; 3 pages.  
 Design U.S. Appl. No. 29/491,286, filed May 20, 2014; First Named Inventor: Robert B. McMahan; Title: Vehicle Body Exterior; 7 pages.

\* cited by examiner

*Primary Examiner* — Marcus Jackson

(74) *Attorney, Agent, or Firm* — Lionel D. Anderson; Reising Ethington P.C.

(57) **CLAIM**

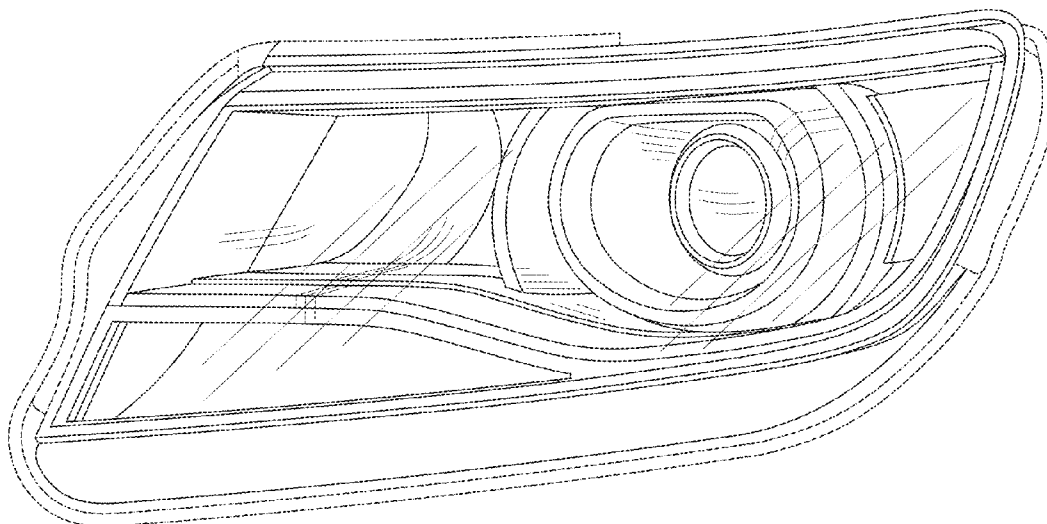
The ornamental design for a vehicle front headlamp, as shown and described.

**DESCRIPTION**

FIG. 1 is a perspective view of the vehicle front headlamp; FIG. 2 is a front view thereof; FIG. 3 is a side elevation view thereof; and, FIG. 4 is a top plan view thereof.  
 In the drawings, the portions shown by broken lines form no part of the claimed design.

**1 Claim, 2 Drawing Sheets**

- (56) **References Cited**  
U.S. PATENT DOCUMENTS  
D508,136 S \* 8/2005 Pfeiffer ..... D26/28  
D518,581 S \* 4/2006 Osawa ..... D26/28  
D528,231 S \* 9/2006 Ikeda ..... D26/28



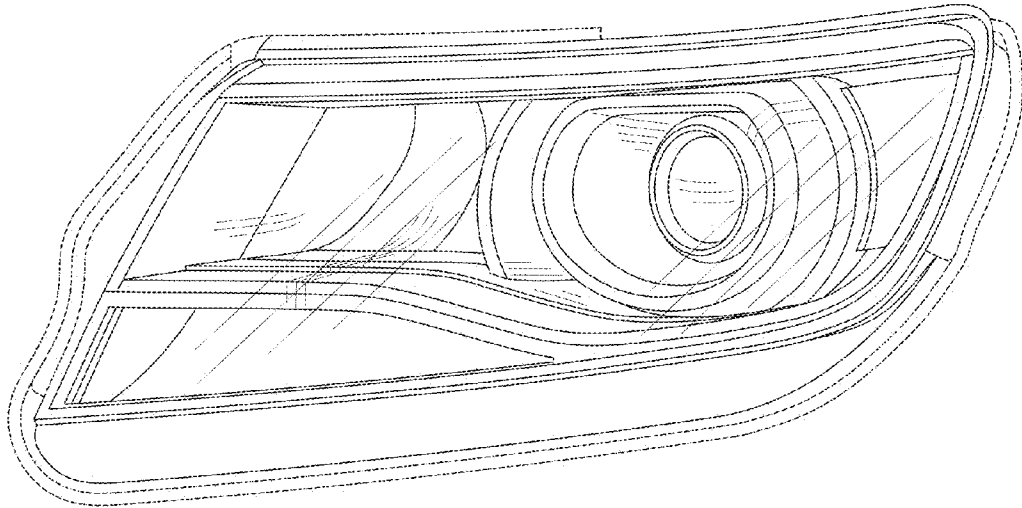


Fig-1

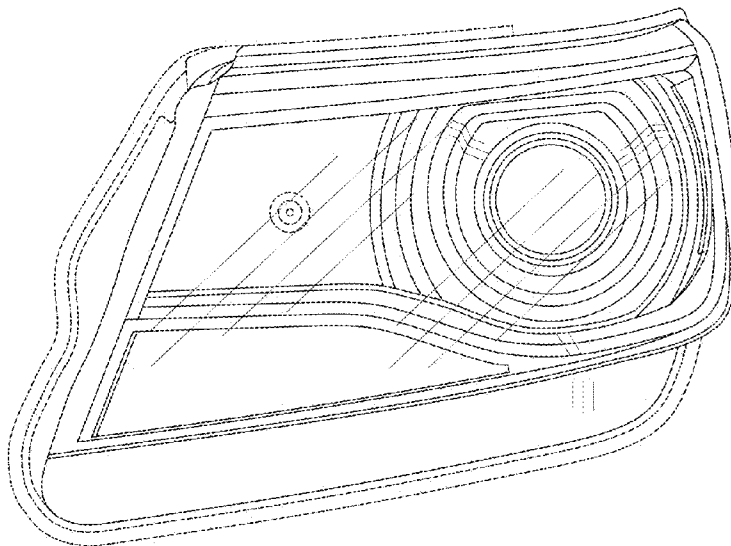


Fig-2

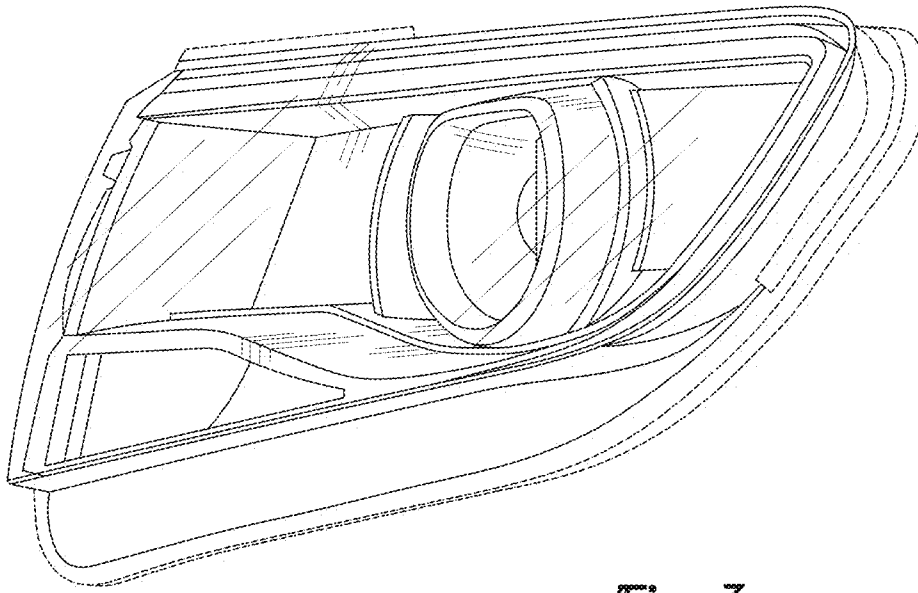


Fig-3

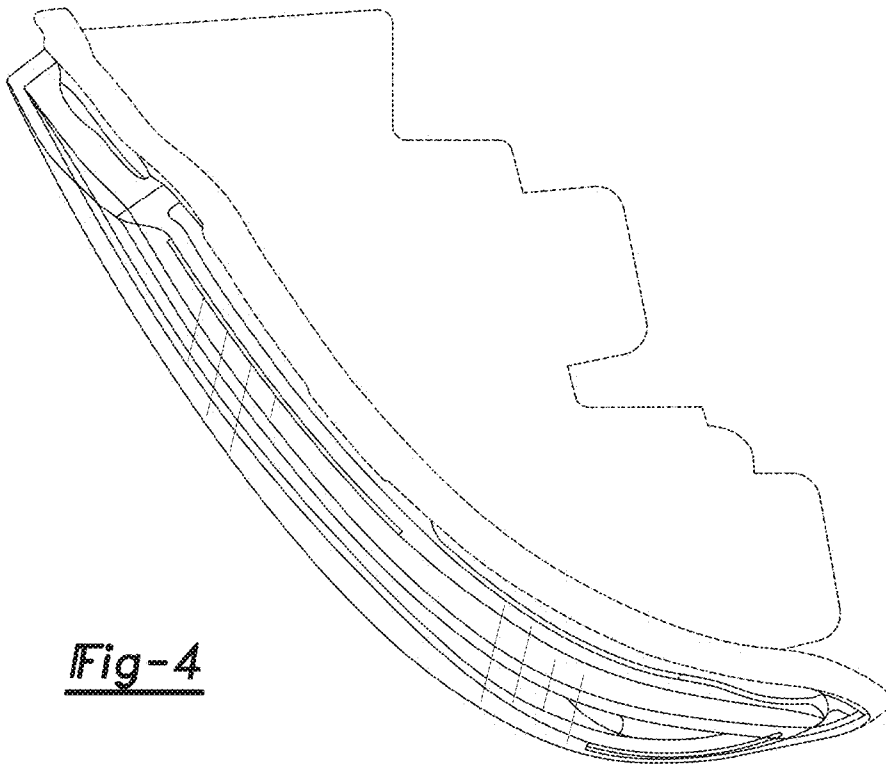


Fig-4