



- (51) **International Patent Classification:**
F16F 15/10 (2006.01) H02K 37/22 (2006.01)
F16F 15/22 (2006.01)
- (21) **International Application Number:**
PCT/US2015/066508
- (22) **International Filing Date:**
17 December 2015 (17.12.2015)
- (25) **Filing Language:** English
- (26) **Publication Language:** English
- (30) **Priority Data:**
62/094,672 19 December 2014 (19.12.2014) US
- (71) **Applicant:** AEROVIRONMENT, INC. [US/US]; 900 Innovators Way, Simi Valley, California 93065 (US).
- (72) **Inventor:** NICOLOFF, William John; 1702 San Rafael Way, Camarillo, California 93012 (US).
- (74) **Agent:** WEISS, Christopher F.; Brooks Acordia IP Law, P.C., 31365 Oak Crest Drive, Suite 225, Westlake Village, California 91361 (US).
- (81) **Designated States** (unless otherwise indicated, for every kind of national protection available): AE, AG, AL, AM, AO, AT, AU, AZ, BA, BB, BG, BH, BN, BR, BW, BY, BZ, CA, CH, CL, CN, CO, CR, CU, CZ, DE, DK, DM, DO, DZ, EC, EE, EG, ES, FI, GB, GD, GE, GH, GM, GT,

HN, HR, HU, ID, IL, IN, IR, IS, JP, KE, KG, KN, KP, KR, KZ, LA, LC, LK, LR, LS, LU, LY, MA, MD, ME, MG, MK, MN, MW, MX, MY, MZ, NA, NG, NI, NO, NZ, OM, PA, PE, PG, PH, PL, PT, QA, RO, RS, RU, RW, SA, SC, SD, SE, SG, SK, SL, SM, ST, SV, SY, TH, TJ, TM, TN, TR, TT, TZ, UA, UG, US, UZ, VC, VN, ZA, ZM, ZW.

- (84) **Designated States** (unless otherwise indicated, for every kind of regional protection available): ARIPO (BW, GH, GM, KE, LR, LS, MW, MZ, NA, RW, SD, SL, ST, SZ, TZ, UG, ZM, ZW), Eurasian (AM, AZ, BY, KG, KZ, RU, TJ, TM), European (AL, AT, BE, BG, CH, CY, CZ, DE, DK, EE, ES, FI, FR, GB, GR, HR, HU, IE, IS, IT, LT, LU, LV, MC, MK, MT, NL, NO, PL, PT, RO, RS, SE, SI, SK, SM, TR), OAPI (BF, BJ, CF, CG, CI, CM, GA, GN, GQ, GW, KM, ML, MR, NE, SN, TD, TG).

Declarations under Rule 4.17:

- as to applicant's entitlement to apply for and be granted a patent (Rule 4.17(ii))
- as to the applicant's entitlement to claim the priority of the earlier application (Rule 4.17(iii))
- of inventorship (Rule 4.17(iv))

Published:

- with international search report (Art. 21(3))

[Continued on next page]

(54) **Title:** MOTOR MOUNT AND DAMPER

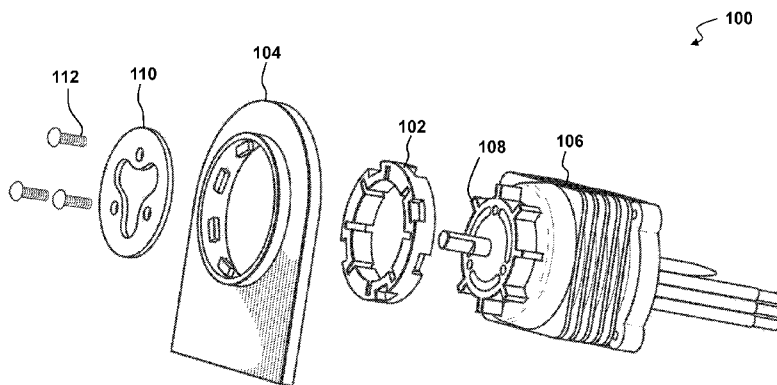


FIG. 1

(57) **Abstract:** A system having a damper (102) with six or more indentations (202, 204, 206, 208, 214, 216, 218, 220) on alternating sides (201, 215) of the damper, where each indentation is open to an outer circumferential surface (211) of the damper and extends over halfway through a width (223) of the damper, and six or more slots (210), each slot open to an undulating inner circumferential surface (213) of the damper and extending through the width of the damper.

WO 2016/100741 A3

(88) Date of publication of the international search report:
28 July 2016

INTERNATIONAL SEARCH REPORT

International application No.

PCT/US15/66508

<p>A. CLASSIFICATION OF SUBJECT MATTER IPC(8) - F16F 15/10, 15/22; H02K 37/22 (2016.01) CPC - F16F 15/10, 15/22; H02K 37/22 According to International Patent Classification (IPC) or to both national classification and IPC</p>																													
<p>B. FIELDS SEARCHED Minimum documentation searched (classification system followed by classification symbols) IPC(8) Classification(s): F16F 15/10, 15/126, 15/20, 15/22, 15/28, 15/30, 15/32; H02K 7/116, 37/22 (2016.01) CPC Classification(s): F16F 15/10, 15/1201, 15/126, 15/20, 15/22, 15/223, 15/28, 15/30, 15/32; H02K 37/22 Documentation searched other than minimum documentation to the extent that such documents are included in the fields searched Electronic data base consulted during the international search (name of data base and, where practicable, search terms used) PatSeer (US, EP, WO, JP, DE, GB, CN, FR, KR, ES, AU, IN, CA, INPADOC Data); Google; Google/Scholar; ProQuest; Keywords: damp*, motor*, vibration*, shak*, slot*, indent*, groov*, cutaway, recess, mitigate*, attenuate*, stabili*, balance*, reduc*, alternat*, both, either, upper, top, side*, surface*, portion*, end</p>																													
<p>C. DOCUMENTS CONSIDERED TO BE RELEVANT</p> <table border="1"> <thead> <tr> <th>Category*</th> <th>Citation of document, with indication, where appropriate, of the relevant passages</th> <th>Relevant to claim No.</th> </tr> </thead> <tbody> <tr> <td>X</td> <td>US 2011/0085926 A1 (JUNG HO et al.) April 14, 2011; figures 2, 3; paragraph [0036]</td> <td>22</td> </tr> <tr> <td>A</td> <td>US 5,178,026 A (MATSUMOTO T et al.) January 12, 1993; figure 1</td> <td>1, 22</td> </tr> <tr> <td>A</td> <td>US 2014/0367546 A1 (TOKAI RUBBER INDUSTRIES) December 18, 2014; figures 8, 9</td> <td>1, 22</td> </tr> <tr> <td>A</td> <td>US 2014/0084726 A1 (BURTON SJ et al.) March 27, 2014; figures 12, 13</td> <td>1, 22</td> </tr> <tr> <td>A</td> <td>US 2013/0337952 A1 (BERRUET N et al.) December 19, 2013; figure 6</td> <td>1, 22</td> </tr> <tr> <td>A</td> <td>US 2013/0074701 A1 (ZHAO YH et al.) March 28, 2013; figure 5</td> <td>1, 22</td> </tr> <tr> <td>A</td> <td>US 2004/0198499 A1 (KAMDEM H et al.) October 7, 2004; figure 7</td> <td>1, 22</td> </tr> <tr> <td>A</td> <td>US 2002/0158543 A1 (WOLTERS L) October 31, 2002; figure 1</td> <td>1, 22</td> </tr> </tbody> </table>			Category*	Citation of document, with indication, where appropriate, of the relevant passages	Relevant to claim No.	X	US 2011/0085926 A1 (JUNG HO et al.) April 14, 2011; figures 2, 3; paragraph [0036]	22	A	US 5,178,026 A (MATSUMOTO T et al.) January 12, 1993; figure 1	1, 22	A	US 2014/0367546 A1 (TOKAI RUBBER INDUSTRIES) December 18, 2014; figures 8, 9	1, 22	A	US 2014/0084726 A1 (BURTON SJ et al.) March 27, 2014; figures 12, 13	1, 22	A	US 2013/0337952 A1 (BERRUET N et al.) December 19, 2013; figure 6	1, 22	A	US 2013/0074701 A1 (ZHAO YH et al.) March 28, 2013; figure 5	1, 22	A	US 2004/0198499 A1 (KAMDEM H et al.) October 7, 2004; figure 7	1, 22	A	US 2002/0158543 A1 (WOLTERS L) October 31, 2002; figure 1	1, 22
Category*	Citation of document, with indication, where appropriate, of the relevant passages	Relevant to claim No.																											
X	US 2011/0085926 A1 (JUNG HO et al.) April 14, 2011; figures 2, 3; paragraph [0036]	22																											
A	US 5,178,026 A (MATSUMOTO T et al.) January 12, 1993; figure 1	1, 22																											
A	US 2014/0367546 A1 (TOKAI RUBBER INDUSTRIES) December 18, 2014; figures 8, 9	1, 22																											
A	US 2014/0084726 A1 (BURTON SJ et al.) March 27, 2014; figures 12, 13	1, 22																											
A	US 2013/0337952 A1 (BERRUET N et al.) December 19, 2013; figure 6	1, 22																											
A	US 2013/0074701 A1 (ZHAO YH et al.) March 28, 2013; figure 5	1, 22																											
A	US 2004/0198499 A1 (KAMDEM H et al.) October 7, 2004; figure 7	1, 22																											
A	US 2002/0158543 A1 (WOLTERS L) October 31, 2002; figure 1	1, 22																											
<p><input type="checkbox"/> Further documents are listed in the continuation of Box C. <input type="checkbox"/> See patent family annex.</p>																													
<p>* Special categories of cited documents: "A" document defining the general state of the art which is not considered to be of particular relevance "E" earlier application or patent but published on or after the international filing date "L" document which may throw doubts on priority claim(s) or which is cited to establish the publication date of another citation or other special reason (as specified) "O" document referring to an oral disclosure, use, exhibition or other means "P" document published prior to the international filing date but later than the priority date claimed "T" later document published after the international filing date or priority date and not in conflict with the application but cited to understand the principle or theory underlying the invention "X" document of particular relevance; the claimed invention cannot be considered novel or cannot be considered to involve an inventive step when the document is taken alone "Y" document of particular relevance; the claimed invention cannot be considered to involve an inventive step when the document is combined with one or more other such documents, such combination being obvious to a person skilled in the art "&" document member of the same patent family</p>																													
<p>Date of the actual completion of the international search 4 February 2016 (04.02.2016)</p>		<p>Date of mailing of the international search report 23 FEB 2016</p>																											
<p>Name and mailing address of the ISA/ Mail Stop PCT, Attn: ISA/US, Commissioner for Patents P.O. Box 1450, Alexandria, Virginia 22313-1450 Facsimile No. 571-273-8300</p>		<p>Authorized officer Shane Thomas PCT Helpdesk: 571-272-4300 PCT OSP: 571-272-7774</p>																											