

(19) World Intellectual Property Organization
International Bureau



(43) International Publication Date
2 May 2008 (02.05.2008)

PCT

(10) International Publication Number
WO 2008/051313 A3

(51) International Patent Classification:

A61M 1/00 (2006.01) A61M 27/00 (2006.01)
A61F 5/44 (2006.01) A61B 17/00 (2006.01)

(21) International Application Number:

PCT/US2007/013291

(22) International Filing Date: 6 June 2007 (06.06.2007)

(25) Filing Language: English

(26) Publication Language: English

(30) Priority Data:

11/552,316 24 October 2006 (24.10.2006) US

(71) Applicant (for all designated States except US): **MEDICAL TECHNOLOGIES OF GEORGIA, INC.** [US/US]; 2365 Amberbook Lane, Grayson, GA 30017 (US).

(72) Inventors; and

(75) Inventors/Applicants (for US only): **MOSLER, Theodore, J.** [US/US]; 5433 Alafia Court, Raleigh, NC 27616 (US). **KOROGI, Todd, M.** [US/US]; 8701

Walkelin Court, Raleigh, NC 27615 (US). **JARNAGIN, Scott, P.** [US/US]; 433 Guilford Circle, Raleigh, NC 27608 (US). **GOLDEN, John, H.** [US/US]; 1312 Ponce De Leon Avenue, Atlanta, GA 30306 (US).

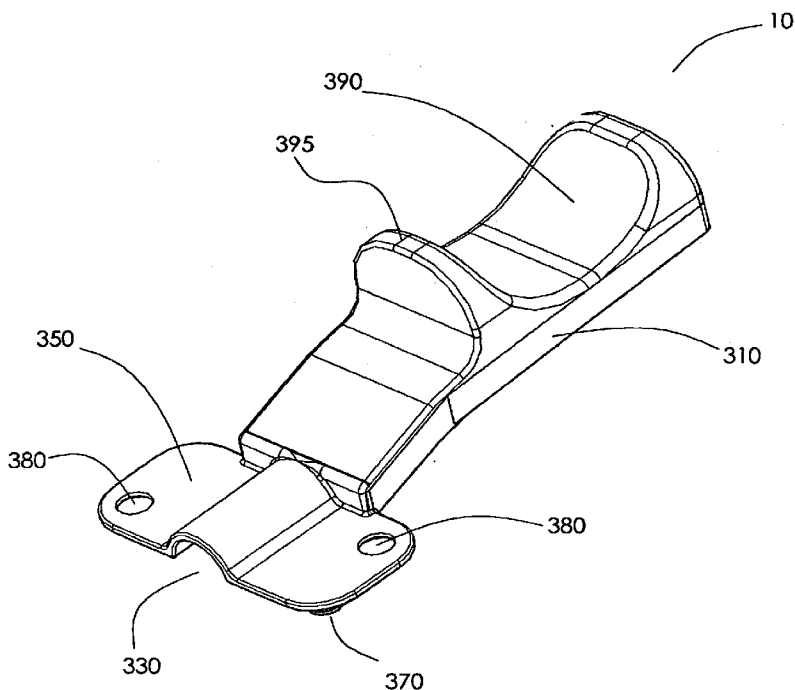
(74) Agents: **KIRSCH, Gregory, J.** et al.; Needle & Rosenberg, P.C., Suite 1000, 999 Peachtree Street, Atlanta, GA 30309-3915 (US).

(81) Designated States (unless otherwise indicated, for every kind of national protection available): AE, AG, AL, AM, AT, AU, AZ, BA, BB, BG, BH, BR, BW, BY, BZ, CA, CH, CN, CO, CR, CU, CZ, DE, DK, DM, DO, DZ, EC, EE, EG, ES, FI, GB, GD, GE, GH, GM, GT, HN, HR, HU, ID, IL, IN, IS, JP, KE, KG, KM, KN, KP, KR, KZ, LA, LC, LK, LR, LS, LT, LU, LY, MA, MD, ME, MG, MK, MN, MW, MX, MY, MZ, NA, NG, NI, NO, NZ, OM, PG, PH, PL, PT, RO, RS, RU, SC, SD, SE, SG, SK, SL, SM, SV, SY, TJ, TM, TN, TR, TT, TZ, UA, UG, US, UZ, VC, VN, ZA, ZM, ZW.

(84) Designated States (unless otherwise indicated, for every kind of regional protection available): ARIPO (BW, GH,

[Continued on next page]

(54) Title: CATHETER GRIPPING DEVICE



(57) Abstract: The present invention relates to a urinary catheter gripping device for use with a urinary catheter located within a urinary catheter pouch. In one aspect, the urinary catheter pouch has a port defined in its exterior surface, whereby the port is in communication with the interior cavity of the urinary catheter pouch. In this aspect, the urinary catheter is substantially disposed therein the pouch and is configured to selectively pass therethrough the port. The gripping device can be positioned on the pouch at any convenient location that aids in the holding of the catheter.

FIG. 1

WO 2008/051313 A3



GM, KE, LS, MW, MZ, NA, SD, SL, SZ, TZ, UG, ZM, ZW), Eurasian (AM, AZ, BY, KG, KZ, MD, RU, TJ, TM), European (AT, BE, BG, CH, CY, CZ, DE, DK, EE, ES, FI, FR, GB, GR, HU, IE, IS, IT, LT, LU, LV, MC, MT, NL, PL, PT, RO, SE, SI, SK, TR), OAPI (BF, BJ, CF, CG, CI, CM, GA, GN, GQ, GW, ML, MR, NE, SN, TD, TG).

Published:

- *with international search report*
- *before the expiration of the time limit for amending the claims and to be republished in the event of receipt of amendments*

(88) Date of publication of the international search report:

20 November 2008

INTERNATIONAL SEARCH REPORT

International application No.

PCT/US07/13291

A. CLASSIFICATION OF SUBJECT MATTER
 IPC: A61M 1/00(2006.01);A61F 5/44(2006.01);A61M 27/00(2006.01)
 A61B 17/00(2006.01)
 USPC: 606/1;604/317,327,328,349,351,540,541,543,544
 According to International Patent Classification (IPC) or to both national classification and IPC

B. FIELDS SEARCHED
 Minimum documentation searched (classification system followed by classification symbols)
 U.S. : 606/1; 604/317,327,328,349,351,540,541,543,544

Documentation searched other than minimum documentation to the extent that such documents are included in the fields searched

Electronic data base consulted during the international search (name of data base and, where practicable, search terms used)

C. DOCUMENTS CONSIDERED TO BE RELEVANT

| Category * | Citation of document, with indication, where appropriate, of the relevant passages | Relevant to claim No. |
|------------|--|-----------------------|
| X | US 5,368,575 A (Chang) 29 November 1994 (29.11.1994) col. 3, lines 11-17 and Fig. 3; col. 3, lines 11-17 and 20-28. | 1-3, 7 |
| X | US 6,235,006 B1 (Dillon et al.) 22 May 2001 (22.05.2001), col. 5, lines 35--49 and Fig. 2; cols. 3-4, lines 60-6; col. 4, lines 31-40. | 1-13, 15 |
| --- | | ----- |
| Y | 1-19 | 16-19 |
| Y | US 2003/0130646 A1 (Kubalak et al.) 10 July 2003 (10.07.2003) ¶ [0032], [0049], [0060] and Fig. 2. | 16-19 |

Further documents are listed in the continuation of Box C. See patent family annex.

| | | |
|---|-----|--|
| * Special categories of cited documents: | "T" | later document published after the international filing date or priority date and not in conflict with the application but cited to understand the principle or theory underlying the invention |
| "A" document defining the general state of the art which is not considered to be of particular relevance | "X" | document of particular relevance; the claimed invention cannot be considered novel or cannot be considered to involve an inventive step when the document is taken alone |
| "E" earlier application or patent published on or after the international filing date | "Y" | document of particular relevance; the claimed invention cannot be considered to involve an inventive step when the document is combined with one or more other such documents, such combination being obvious to a person skilled in the art |
| "L" document which may throw doubts on priority claim(s) or which is cited to establish the publication date of another citation or other special reason (as specified) | "&" | document member of the same patent family |
| "O" document referring to an oral disclosure, use, exhibition or other means | | |
| "P" document published prior to the international filing date but later than the priority date claimed | | |

| | |
|---|---|
| Date of the actual completion of the international search 04 June 2008 (04.06.2008) | Date of mailing of the international search report 22 SEP 2008 |
| Name and mailing address of the ISA/US Mail Stop PCT, Attn: ISA/US Commissioner for Patents P.O. Box 1450 Alexandria, Virginia 22313-1450 Facsimile No. (571) 273-3201 | Authorized officer <i>Tatyana Zalukaeva</i> Tatyana Zalukaeva Telephone No. 571-272-1115 |