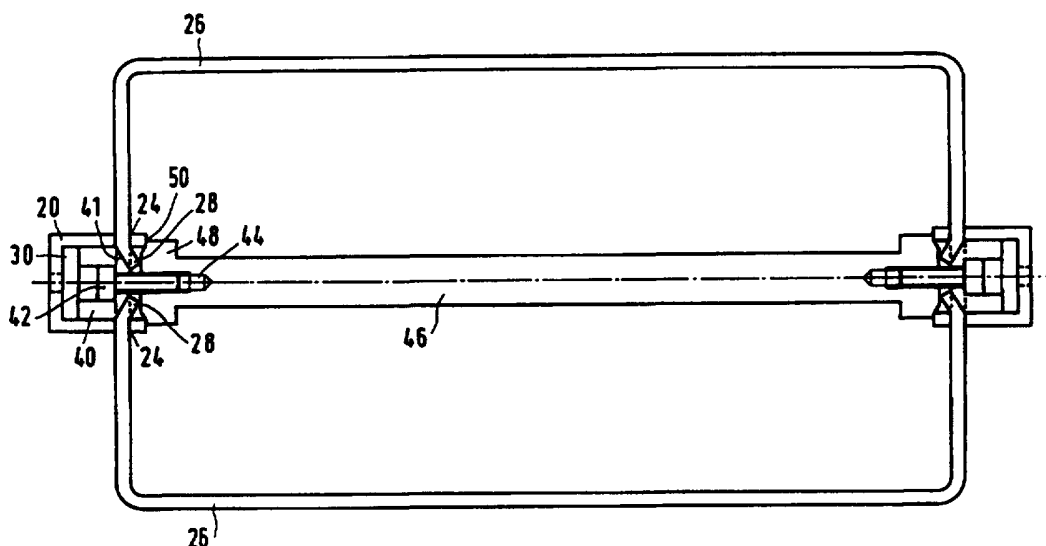




INTERNATIONAL APPLICATION PUBLISHED UNDER THE PATENT COOPERATION TREATY (PCT)

<p>(51) International Patent Classification ⁶ : A61B 6/00</p>	<p>A1</p>	<p>(11) International Publication Number: WO 96/18341 (43) International Publication Date: 20 June 1996 (20.06.96)</p>
<p>(21) International Application Number: PCT/IB95/01033 (22) International Filing Date: 21 November 1995 (21.11.95) (30) Priority Data: 94203595.7 12 December 1994 (12.12.94) EP (34) Countries for which the regional or international application was filed: NL et al. (71) Applicant: PHILIPS ELECTRONICS N.V. [NL/NL]; Groenewoudseweg 1, NL-5621 BA Eindhoven (NL). (71) Applicant (for SE only): PHILIPS NORDEN AB [SE/SE]; Kottbygatan 5, Kista, S-164 85 Stockholm (SE). (72) Inventor: VAN DER ENDE, Adrianus; Groenewoudseweg 1, NL-5621 BA Eindhoven (NL). (74) Agent: BAKKER, Hendrik; Internationaal Octrooibureau B.V., P.O. Box 220, NL-5600 AE Eindhoven (NL).</p>		<p>(81) Designated States: JP, European patent (AT, BE, CH, DE, DK, ES, FR, GB, GR, IE, IT, LU, MC, NL, PT, SE). Published <i>With international search report.</i> <i>Before the expiration of the time limit for amending the claims and to be republished in the event of the receipt of amendments.</i></p>

(54) Title: MEDICAL DIAGNOSTIC AND/OR THERAPEUTIC APPARATUS COMPRISING A C-ARC COMPOSED OF PROFILES



(57) Abstract

A medical diagnostic and/or therapeutic apparatus provided with a C-arc support (2) for, for example an X-ray source (4) and an X-ray detector (6). The support (2) comprises two complementary U-profiles (26) which are connected to one another by way of their flanges (28), using two rod-shaped parts (20) with grooves (24) which extend parallel to the axis of the rod-shaped parts (20) and receive the flanges (28). The flanges (28) are fixed in the grooves (24) by holes (30) which are provided in the rod-shaped parts (20), extend perpendicularly to the plane of the grooves (24), and overlap the grooves (24), in said holes there being arranged pressure pieces (40) which are interconnected by a connection rod (46) which interconnects two oppositely situated pressure pieces (40).

FOR THE PURPOSES OF INFORMATION ONLY

Codes used to identify States party to the PCT on the front pages of pamphlets publishing international applications under the PCT.

AT	Austria	GB	United Kingdom	MR	Mauritania
AU	Australia	GE	Georgia	MW	Malawi
BB	Barbados	GN	Guinea	NE	Niger
BE	Belgium	GR	Greece	NL	Netherlands
BF	Burkina Faso	HU	Hungary	NO	Norway
BG	Bulgaria	IE	Ireland	NZ	New Zealand
BJ	Benin	IT	Italy	PL	Poland
BR	Brazil	JP	Japan	PT	Portugal
BY	Belarus	KE	Kenya	RO	Romania
CA	Canada	KG	Kyrgystan	RU	Russian Federation
CF	Central African Republic	KP	Democratic People's Republic of Korea	SD	Sudan
CG	Congo	KR	Republic of Korea	SE	Sweden
CH	Switzerland	KZ	Kazakhstan	SI	Slovenia
CI	Côte d'Ivoire	LI	Liechtenstein	SK	Slovakia
CM	Cameroon	LU	Luxembourg	SN	Senegal
CN	China	LK	Sri Lanka	TD	Chad
CS	Czechoslovakia	LV	Latvia	TG	Togo
CZ	Czech Republic	MC	Monaco	TJ	Tajikistan
DE	Germany	MD	Republic of Moldova	TT	Trinidad and Tobago
DK	Denmark	MG	Madagascar	UA	Ukraine
ES	Spain	ML	Mali	US	United States of America
FI	Finland	MN	Mongolia	UZ	Uzbekistan
FR	France			VN	Viet Nam
GA	Gabon				

Medical diagnostic and/or therapeutic apparatus comprising a C-arc composed of profiles.

The invention relates to a medical diagnostic and/or therapeutic apparatus, comprising a support for diagnostic and/or therapeutic components which is rotatable in its own plane and which is shaped at least partly as a flat arc of circle, the support comprising two complementary profiles, each of which comprises two flanges in perpendicular cross-section, a first and a second flange of a first profile being oriented towards a first and a second flange, respectively, of the second profile, the support comprising a profile connection provided with grooves which extend in the longitudinal direction of the profiles and receive the flanges, the support comprising fixing means for fixing the flanges in the grooves.

An apparatus of this kind is known from German Patent DE 42 14 858. The support of the apparatus disclosed therein is composed of two profiles, each of which has a semi-oval or semi-rhombic shape so that in the assembled condition the support has an oval or rhombic cross-section. The two profiles are maintained together by means of a profile connection in the form of a third profile which extends between the first two profiles and which has a barbell-shaped cross-section. In the wide ends of the barbell there are provided grooves which receive the flanges of the semi-oval profiles. The fixing means for fixing the flanges in the grooves are formed by staples or glue, fixing by rolling also being mentioned as a possibility. Regardless of the fixing means chosen, the known apparatus always requires a profile connection of barbell-shaped cross-section so as to receive the flanges of the profiles.

Profile connections of this kind have the drawback of a comparatively complex shape so that, generally speaking, they must be manufactured especially for this purpose by means of a special tool. Because this known profile connection is made of one piece, the flanges of the profiles must be situated at an exact given distance from one another (i.e. the distance between the grooves), because otherwise problems will be encountered during assembly. This imposes severe requirements as regards exactness of the shape of the profiles. Moreover, only one size of profile connection fits a given size of the cross-section

of the support, so that various sizes of the profile connection must be stocked for various sizes of the support.

It is an object of the invention to mitigate these drawbacks by proposing
5 a profile connection which can be more universally used and which enables a firm, rigid connection to be obtained between the profiles and the profile connection so that the support retains the desired rigidity.

To this end, the apparatus in accordance with the invention is characterized in that the profile connection comprises two separate rod-shaped parts which
10 are provided with grooves which extend parallel to the axis of each of the rod-shaped parts.

The dimensions of the rod-shaped parts are highly independent of the dimensions of the support, so that greater flexibility is achieved as regards the stocking for production.

A preferred embodiment of the invention is characterized in that the
15 fixing means are formed by holes which are provided in the rod-shaped parts, extend perpendicularly to the plane of the grooves, and overlap the grooves, pressure pieces being accommodated in said holes, and by transverse connection means for pressing the pressure pieces against the parts of the flanges projecting through the grooves.

These steps offer rigid connection of the flanges in the grooves,
20 imparting the desired mechanical stability to support in that, if desired, the flanges can be deformed by the pressure pieces in the holes. Moreover, these fixing means are highly independent of the dimensions of the support and to some extent independent of the dimensions of the rod-shaped parts, so that the previously mentioned advantages are achieved again. The transverse connection means can be formed by connection rods which
25 interconnect each time two oppositely situated pressure pieces.

In a further embodiment of the invention, the connection rod comprises two collars, each of which is situated at the side of the rod-shaped parts at the inner side of the cavity formed by the profiles.

As a result of this step it is achieved that the connection rod already
30 present is simply also used to ensure suitable dimensional stability of the cross-section of the support; the width of the support in the direction of the connection rod is then determined exclusively by the distance between the collar surfaces which contact the inner side of the rod-shaped parts. The rod-shaped parts are widely commercially available with accurately defined dimensions. Because the inner sides of these rod-shaped parts can be accurately

positioned because of the use of the collars, suitably exact external dimensions of the rod-shaped parts are thus also feasible, so that, without requiring further operations, these rod-shaped parts can be used as guide rails for rotation of the support in its own plane.

This distance can be accurately realised in a simple manner.

5 Further embodiments of the invention are described in the remaining dependent Claims.

These and other aspects of the invention will be apparent from and elucidated with reference to the embodiments described hereinafter.

10 In the drawings:

Fig. 1 is a general view of a medical diagnostic and/or therapeutic apparatus in the form of an X-ray apparatus comprising a support for an X-ray source and an X-ray detector;

15 Fig. 2a is a cross-sectional view of rod-shaped parts provided with grooves in accordance with the invention, in which grooves flanges of U-profiles are accommodated;

Fig. 2b is a front view of a rod-shaped part in accordance with the invention in which flanges of U-profiles are accommodated and which is provided with a hole for a pressure piece, and

20 Fig. 3 is a cross-sectional view of the support in accordance with the invention.

Fig. 1 is a general view of a medical diagnostic and/or therapeutic apparatus in the form of an X-ray apparatus. The X-ray apparatus comprises a support 2 on which an X-ray source 4 and an X-ray detector 6 are mounted. The support is shaped as an arc of circle, so that the arc can be rotated about an axis extending perpendicularly to the plane of the arc of circle by means of a holder 8. This kind of support is known as a C-arc; generally speaking, they are also rotatable about an axis extending in the plane of the arc of circle. The drive mechanism for this movement is not shown in the Figure. The assembly
30 formed by the support 2 and the holder 8 is also rotatable about a shaft 10. This shaft is mounted on a stand 12 which may be constructed so as to be mobile, if desired. The X-ray source 4 and the X-ray detector 6 are preferably displaceable relative to the support 2. In order to enable easy displacement of these components by hand, they are provided with counterweights (not shown) so that the support must carry a substantial weight. However, it

is desired that the support exhibits suitable positioning accuracy, and hence suitable shape stability, in all positions to be occupied by the support. This imposes severe requirements as regards the strength and the rigidity of the support. The invention offers a strong and rigid construction while utilizing parts which can be used for various sizes of the C-arc.

5 Fig. 2a is a perpendicular cross-sectional view of a side of a C-arc in accordance with the invention. The C-arc consists of two U-profiles 26 (for example of aluminium) which are partly shown in the Figure. Each of the U-profiles 26 comprises two flanges, one flange 28 being shown. The two oppositely situated flanges of the U-profiles are accommodated in grooves 28 of a rod-shaped part 20 (for example of aluminium) having a
10 rectangular cross-section. This situation is shown in a side elevation in Fig. 2b. This Figure also shows that the rod-shaped part 20 is provided with a hole 30 which extends perpendicularly to the plane of the grooves 24, and hence also perpendicularly to the plane of the flanges 28. The diameter of this hole is such that it partly overlaps the grooves. Therefore, when the flanges are arranged in the grooves, the ends of the flanges 28 are
15 visible through the hole 30.

 Fig. 3 is a complete cross-sectional view of the C-arc in accordance with the invention. The two U-profiles 26 are arranged in two rod-shaped parts 20 by way of their oppositely situated flanges 28. In each rod-shaped part 20 there are provided holes 30 in which a respective pressure piece 40 (made of steel or aluminium) fits. The pressure piece
20 comprises a front side 41 which contacts the flange 28. When the pressure piece 40 is pressed in the direction of the flange 28 with sufficient pressure, the part of the flange 28 which contacts the front 41 will be bent over within the hole 30. Rigid fastening of the U-profiles in the rod-shaped parts 20 is thus achieved. The pressing force on the pressure pieces 40 is created in that transverse connection means in the form of connection rods, such
25 as the rod 46 which interconnects two oppositely situated pressure pieces, are provided between both pairs of flanges. Such a transverse connection rod (made of steel or aluminium) is provided on both sides with a threaded bore 44 in which a bolt 42 can be screwed. The head of the bolt fits in a mating recess in the pressure piece, so that tightening of the bolt 42 forces the pressure piece 40 in the direction of the end of the connection rod 46. At both
30 ends of the connection rod 46 there is provided a respective collar 48, said collars comprising a surface 50 which is conceived to contact the front of the pressure piece 40. The distance between the two surfaces 50 at each end of the connection rod 46 can be readily defined during manufacture; when the pressure pieces are forced into position by the tightening of the bolts 42, the distance between the pressure pieces, *i.e.* the width of the

support, is determined entirely by the distance between the outer surfaces 50 of the collars 48. A sufficiently rigid C-arc is obtained by providing the described construction a sufficient number of times along the circumference of the support 2.

CLAIMS:

1. A medical diagnostic and/or therapeutic apparatus, comprising a support (2) for diagnostic and/or therapeutic components (4; 6) which is rotatable in its own plane and which is shaped at least partly as a flat arc of circle, the support comprising two complementary profiles (26), each of which comprises two flanges (28) in perpendicular cross-section, a first and a second flange of a first profile being oriented towards a first and a second flange, respectively, of the second profile, the support (2) comprising a profile connection provided with grooves (24) which extend in the longitudinal direction of the profiles and receive the flanges (28), the support (2) comprising fixing means for fixing the flanges (28) in the grooves (24),
5
10 characterized in that the profile connection comprises two separate rod-shaped parts (20) which are provided with grooves (24) which extend parallel to the axis of each of the rod-shaped parts.
2. An apparatus as claimed in Claim 1, in which the fixing means are formed by holes (30) which are provided in the rod-shaped parts (20), extend perpendicularly to the plane of the grooves (24), and overlap the grooves (24), pressure pieces (40) being
15 accommodated in said holes (30), and by transverse connection means for pressing the pressure pieces against the parts of the flanges projecting through the grooves.
3. An apparatus as claimed in Claim 2, in which the transverse connection means are formed by at least one connection rod (46) which interconnects two oppositely
20 situated pressure pieces (40).
4. An apparatus as claimed in Claim 3, in which the connection rod (46) comprises two collars (48), each of which is situated at the side of the rod-shaped parts (20) at the inner side of the cavity formed by the profiles.
5. An apparatus as claimed in any one of the preceding Claims,
25 characterized in that at least one of the profiles is constructed as a U-profile.
6. An apparatus as claimed in any one of the preceding Claims, characterized in that at least one of the profiles is made of aluminium.

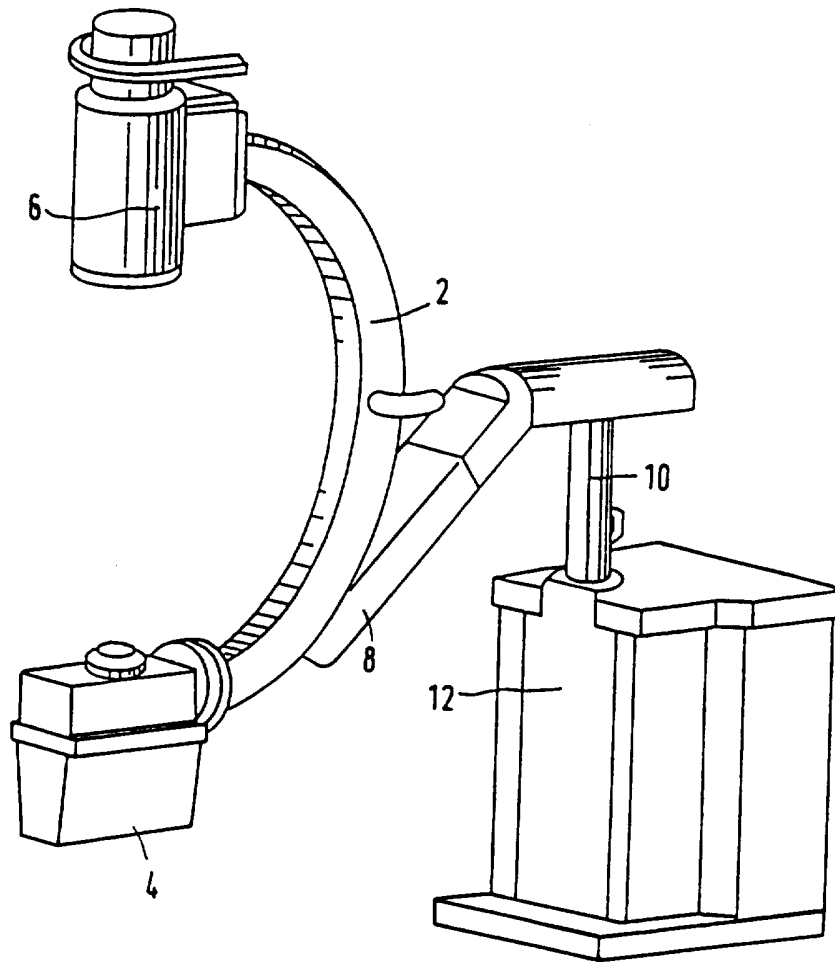


FIG.1

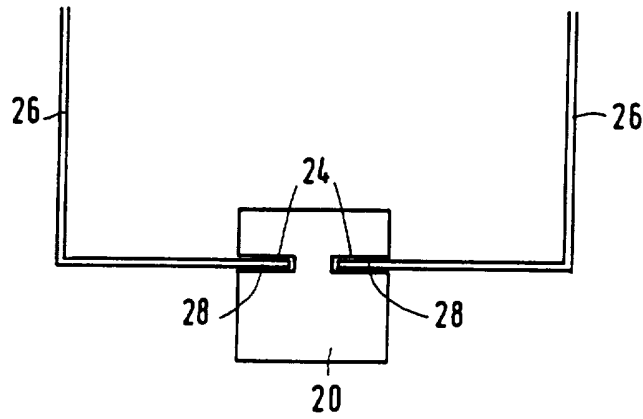


FIG. 2a

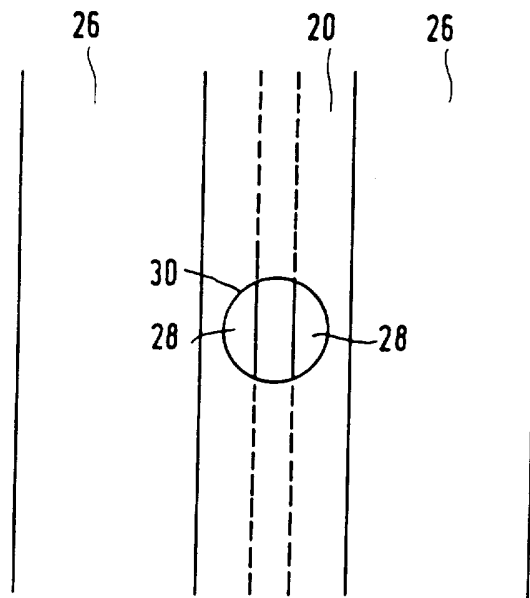


FIG. 2b

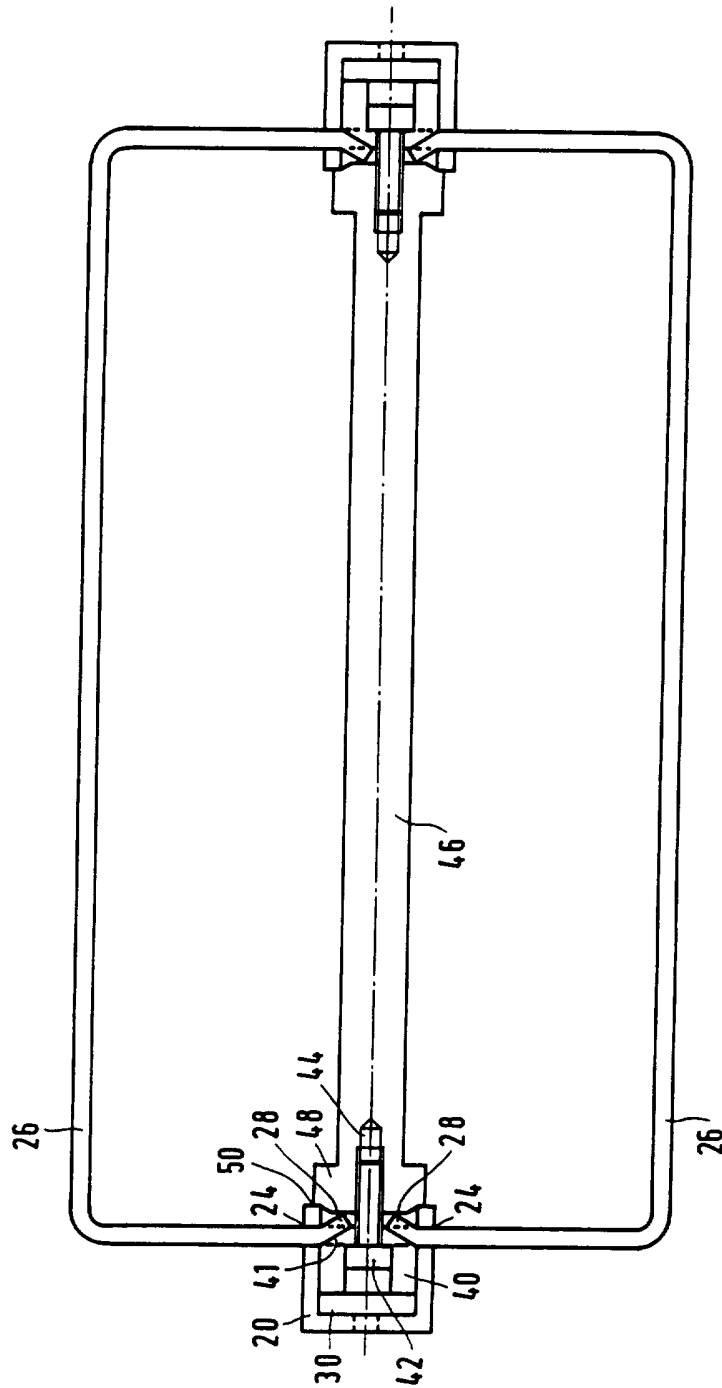


FIG. 3

INTERNATIONAL SEARCH REPORT

International application No.

PCT/IB 95/01033

A. CLASSIFICATION OF SUBJECT MATTER

IPC6: A61B 6/00

According to International Patent Classification (IPC) or to both national classification and IPC

B. FIELDS SEARCHED

Minimum documentation searched (classification system followed by classification symbols)

IPC6: A61B

Documentation searched other than minimum documentation to the extent that such documents are included in the fields searched

Electronic data base consulted during the international search (name of data base and, where practicable, search terms used)

C. DOCUMENTS CONSIDERED TO BE RELEVANT

Category*	Citation of document, with indication, where appropriate, of the relevant passages	Relevant to claim No.
X	DE 4214858 C1 (SIEMENS AG), 10 February 1994 (10.02.94), column 2, line 57 - line 63, figure 3	1,5
Y		6
A	--	2-4
Y	US 4955046 A (SICZEK ET AL), 4 Sept 1990 (04.09.90), column 4, line 30 - line 40, figure 6	6
A	--	1-5
A	US 4961214 A (VAN ENDSCHOT ET AL), 2 October 1990 (02.10.90), figure 3	1-6
	-- -----	

 Further documents are listed in the continuation of Box C.
 See patent family annex.

* Special categories of cited documents

"A" document defining the general state of the art which is not considered to be of particular relevance

"E" earlier document but published on or after the international filing date

"L" document which may throw doubts on priority claim(s) or which is cited to establish the publication date of another citation or other special reason (as specified)

"O" document referring to an oral disclosure, use, exhibition or other means

"P" document published prior to the international filing date but later than the priority date claimed

"T" later document published after the international filing date or priority date and not in conflict with the application but cited to understand the principle or theory underlying the invention

"X" document of particular relevance: the claimed invention cannot be considered novel or cannot be considered to involve an inventive step when the document is taken alone

"Y" document of particular relevance: the claimed invention cannot be considered to involve an inventive step when the document is combined with one or more other such documents, such combination being obvious to a person skilled in the art

"&" document member of the same patent family

Date of the actual completion of the international search

10 May 1996

Date of mailing of the international search report

10.05.96

Name and mailing address of the ISA/

Swedish Patent Office

Box 5055, S-102 42 STOCKHOLM

Facsimile No. +46 8 666 02 86

Authorized officer

Malin Keijser

Telephone No. +46 8 782 25 00

INTERNATIONAL SEARCH REPORT
 Information on patent family members

01/04/96

International application No.
 PCT/IB 95/01033

Patent document cited in search report	Publication date	Patent family member(s)	Publication date
DE-C1- 4214858	10/02/94	NONE	
US-A- 4955046	04/09/90	NONE	
US-A- 4961214	02/10/90	DE-D, T- 6891177	07/07/94
		EP-A, A, B 0350996	17/01/90
		JP-A- 2084636	26/03/90
		NL-A- 8801750	01/02/90
		US-E- RE34943	16/05/95