



(51) International Patent Classification:

A61B 17/88 (2006.01) A61B 17/28 (2006.01)
A61B 17/30 (2006.01)

(21) International Application Number:

PCT/IB2014/001692

(22) International Filing Date:

3 September 2014 (03.09.2014)

(25) Filing Language:

English

(26) Publication Language:

English

(30) Priority Data:

CH1502/13 3 September 2013 (03.09.2013) CH

(71) Applicant (for all designated States except US): **REDAM-INSTRUMENTE GMBH** [—/DE]; Messkircher Str. 39, 78579 Neuhausen ob Eck (DE).

(72) Inventors; and

(71) Applicants (for US only): **REISINGER, Daniel** [DE/DE]; MeBkircher Str. 39, 78579 Neuhausen ob Eck (DE). **REISINGER, Severin** [DE/DE]; Johanniterweg 1/2, 78052 Obereschach (DE).

(74) Agent: **REB, Richard**; Patent- & Markenbüro REB, Untereggstrasse 4, CH-6353 Weggis (CH).

(81) Designated States (unless otherwise indicated, for every kind of national protection available): AE, AG, AL, AM, AO, AT, AU, AZ, BA, BB, BG, BH, BN, BR, BW, BY,

BZ, CA, CH, CL, CN, CO, CR, CU, CZ, DE, DK, DM, DO, DZ, EC, EE, EG, ES, FI, GB, GD, GE, GH, GM, GT, HN, HR, HU, ID, IL, IN, IR, IS, JP, KE, KG, KN, KP, KR, KZ, LA, LC, LK, LR, LS, LT, LU, LY, MA, MD, ME, MG, MK, MN, MW, MX, MY, MZ, NA, NG, NI, NO, NZ, OM, PA, PE, PG, PH, PL, PT, QA, RO, RS, RU, RW, SA, SC, SD, SE, SG, SK, SL, SM, ST, SV, SY, TH, TJ, TM, TN, TR, TT, TZ, UA, UG, US, UZ, VC, VN, ZA, ZM, ZW.

(84) Designated States (unless otherwise indicated, for every kind of regional protection available): ARIPO (BW, GH, GM, KE, LR, LS, MW, MZ, NA, RW, SD, SL, ST, SZ, TZ, UG, ZM, ZW), Eurasian (AM, AZ, BY, KG, KZ, RU, TJ, TM), European (AL, AT, BE, BG, CH, CY, CZ, DE, DK, EE, ES, FI, FR, GB, GR, HR, HU, IE, IS, IT, LT, LU, LV, MC, MK, MT, NL, NO, PL, PT, RO, RS, SE, SI, SK, SM, TR), OAPI (BF, BJ, CF, CG, CI, CM, GA, GN, GQ, GW, KM, ML, MR, NE, SN, TD, TG).

Published:

- with international search report (Art. 21(3))
- before the expiration of the time limit for amending the claims and to be republished in the event of receipt of amendments (Rule 48.2(h))

(88) Date of publication of the international search report:
18 June 2015

(54) Title: REPOSITION FORCEPS

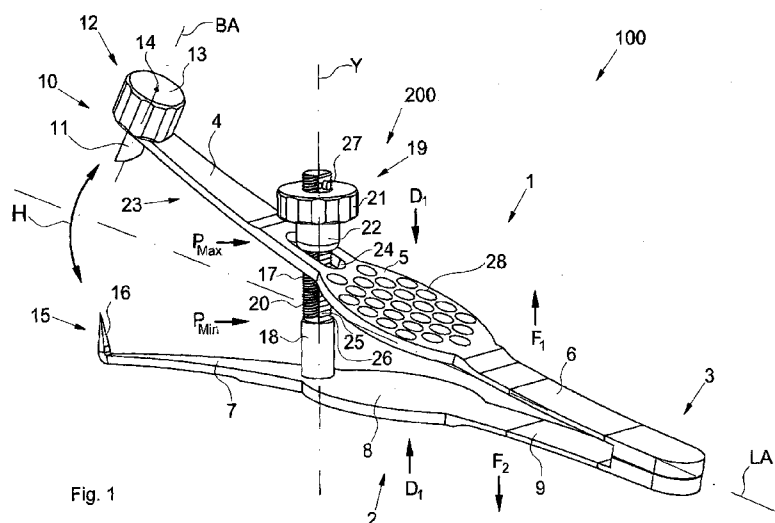


Fig. 1

(57) Abstract: The invention relates to a reposition forceps (100) with at least one first, upper branch (1) and at least one second, lower branch (2), having the first, upper branch (1) and the second, lower branch (2) hinged in a common pivot point (3); the first, upper branch (1) comprising a rigid, first upper forceps arm (4), a first handle piece (5) and a first, upper instrument tip (10) with a target sleeve (11); and the second, lower branch (2) comprising a rigid, second lower forceps arm (7), a second handle piece (8) and a second, lower instrument tip (15) with a target spike (16); and the reposition forceps (100) comprising at least one spring (6, 9); and a stroke (H) of the instrument tips (10, 15) is carried out by an actuation pressure (D₁) on the handle pieces (5, 8) against a spring force (F₁-F₂) of the spring (6, 9).



INTERNATIONAL SEARCH REPORT

International application No
PCT/IB2014/001692

A. CLASSIFICATION OF SUBJECT MATTER
 INV. A61B17/88 A61B17/30 A61B17/28
 ADD.
 According to International Patent Classification (IPC) or to both national classification and IPC

B. FIELDS SEARCHED
 Minimum documentation searched (classification system followed by classification symbols)
A61B

Documentation searched other than minimum documentation to the extent that such documents are included in the fields searched

Electronic data base consulted during the international search (name of data base and, where practicable, search terms used)
EPO-Internal, WPI Data

C. DOCUMENTS CONSIDERED TO BE RELEVANT

Category*	Citation of document, with indication, where appropriate, of the relevant passages	Relevant to claim No.
X	US 5 697 933 A (GUNDLAPALLI RAMARAO [US] ET AL) 16 December 1997 (1997-12-16) the whole document	1-3,5-7, 9,11,12 4,10
X	WO 2012/161977 A1 (SYNTHES USA LLC [US]; SYNTHES GMBH [CH]; CITTERS PETER CHARLES VAN [US] 29 November 2012 (2012-11-29) paragraphs [0005], [0008] - [0015], [0018]; figures 1,4,5-8	1,2,5-9, 11,12
Y	US 2 291 413 A (SIEBRANDT JOHN R) 28 July 1942 (1942-07-28) column 3, lines 36-70; figure 1	4
A		1-3,5-12
Y	US 2011/152953 A1 (LINK HELMUT D [DE]) 23 June 2011 (2011-06-23) figure 5	10
A		1-9,11, 12
	----- -/--	

Further documents are listed in the continuation of Box C. See patent family annex.

* Special categories of cited documents :

"A" document defining the general state of the art which is not considered to be of particular relevance	"T" later document published after the international filing date or priority date and not in conflict with the application but cited to understand the principle or theory underlying the invention
"E" earlier application or patent but published on or after the international filing date	"X" document of particular relevance; the claimed invention cannot be considered novel or cannot be considered to involve an inventive step when the document is taken alone
"L" document which may throw doubts on priority claim(s) or which is cited to establish the publication date of another citation or other special reason (as specified)	"Y" document of particular relevance; the claimed invention cannot be considered to involve an inventive step when the document is combined with one or more other such documents, such combination being obvious to a person skilled in the art
"O" document referring to an oral disclosure, use, exhibition or other means	"&" document member of the same patent family
"P" document published prior to the international filing date but later than the priority date claimed	

Date of the actual completion of the international search 26 March 2015	Date of mailing of the international search report 08/04/2015
---	---

Name and mailing address of the ISA/ European Patent Office, P.B. 5818 Patentlaan 2 NL - 2280 HV Rijswijk Tel. (+31-70) 340-2040, Fax: (+31-70) 340-3016	Authorized officer Cesari, Aude
--	---

INTERNATIONAL SEARCH REPORT

International application No

PCT/IB2014/001692

C(Continuation). DOCUMENTS CONSIDERED TO BE RELEVANT		
Category*	Citation of document, with indication, where appropriate, of the relevant passages	Relevant to claim No.
X	US 5 129 908 A (PETERSEN THOMAS D [US]) 14 July 1992 (1992-07-14) column 3, line 38 - column 4, line 49; figure 1 -----	1,2,5-7, 11,12

INTERNATIONAL SEARCH REPORT

International application No.
PCT/IB2014/001692

Box No. II Observations where certain claims were found unsearchable (Continuation of item 2 of first sheet)

This international search report has not been established in respect of certain claims under Article 17(2)(a) for the following reasons:

1. Claims Nos.: 13
because they relate to subject matter not required to be searched by this Authority, namely:
Rule 39.1(iv) PCT - Method for treatment of the human or animal body by surgery
2. Claims Nos.:
because they relate to parts of the international application that do not comply with the prescribed requirements to such an extent that no meaningful international search can be carried out, specifically:
3. Claims Nos.:
because they are dependent claims and are not drafted in accordance with the second and third sentences of Rule 6.4(a).

Box No. III Observations where unity of invention is lacking (Continuation of item 3 of first sheet)

This International Searching Authority found multiple inventions in this international application, as follows:

1. As all required additional search fees were timely paid by the applicant, this international search report covers all searchable claims.
2. As all searchable claims could be searched without effort justifying an additional fees, this Authority did not invite payment of additional fees.
3. As only some of the required additional search fees were timely paid by the applicant, this international search report covers only those claims for which fees were paid, specifically claims Nos.:
4. No required additional search fees were timely paid by the applicant. Consequently, this international search report is restricted to the invention first mentioned in the claims; it is covered by claims Nos.:

Remark on Protest

- The additional search fees were accompanied by the applicant's protest and, where applicable, the payment of a protest fee.
- The additional search fees were accompanied by the applicant's protest but the applicable protest fee was not paid within the time limit specified in the invitation.
- No protest accompanied the payment of additional search fees.

INTERNATIONAL SEARCH REPORT

Information on patent family members

International application No PCT/IB2014/001692
--

Patent document cited in search report	A	Publication date	Patent family member(s)	Publication date
US 5697933	A	16-12-1997	NONE	
WO 2012161977	A1	29-11-2012	US 2012303067 A1	29-11-2012
			WO 2012161977 A1	29-11-2012
US 2291413	A	28-07-1942	NONE	
US 2011152953	A1	23-06-2011	CN 102068301 A	25-05-2011
			EP 2324781 A1	25-05-2011
			ES 2402846 T3	09-05-2013
			JP 2011104362 A	02-06-2011
			US 2011152953 A1	23-06-2011
US 5129908	A	14-07-1992	NONE	