

(19) World Intellectual Property Organization
International Bureau



(43) International Publication Date
28 September 2006 (28.09.2006)

PCT

(10) International Publication Number
WO 2006/102269 A3

- (51) International Patent Classification:
A61F 2/30 (2006.01)
- (21) International Application Number:
PCT/US2006/010115
- (22) International Filing Date: 21 March 2006 (21.03.2006)
- (25) Filing Language: English
- (26) Publication Language: English
- (30) Priority Data:

60/663,885	21 March 2005 (21.03.2005)	US
60/663,918	21 March 2005 (21.03.2005)	US
60/664,076	22 March 2005 (22.03.2005)	US
11/377,971	17 March 2006 (17.03.2006)	US
11/378,108	17 March 2006 (17.03.2006)	US
11/378,894	17 March 2006 (17.03.2006)	US

- (72) Inventors; and
- (75) Inventors/Applicants (for US only): **ZUCHERMAN, James, F.** [US/US]; 3035 Pierce Street, San Francisco, California 94123 (US). **HSU, Ken, Y.** [US/US]; 52 Clarendon Avenue, San Francisco, California 94114 (US). **WINSLOW, Charles, J.** [US/US]; 25 Hilton Court, Walnut Creek, California 94595 (US). **FLYNN, John, J.** [US/US]; 18 Baldwin Drive, West Milford, New Jersey 07480 (US). **MITCHELL, Steven, T.** [US/US]; 776 Duke Circle, Pleasant Hill, California 94523 (US). **YERBY, Scott, A.** [US/US]; 1333 Birch Street, Montara, California 94037 (US). **MARKWART, John, A.** [US/US]; 4808 Heyer Avenue, Castro Valley, California 94552 (US).

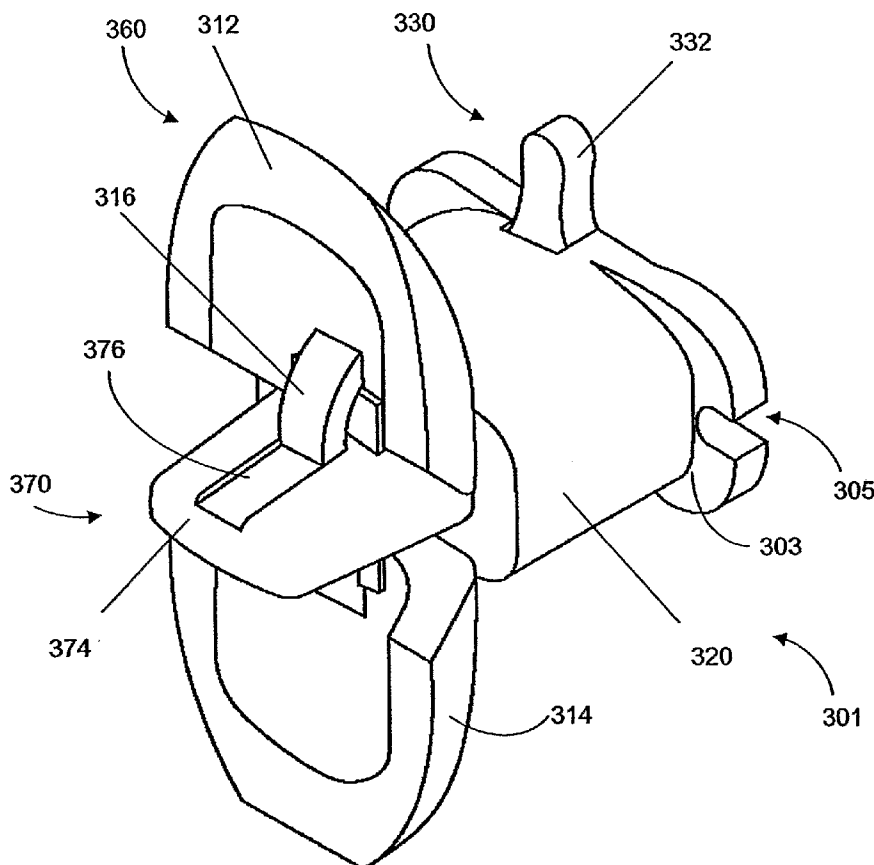
- (74) Agents: **MEYER, Sheldon, R.** et al.; Fliesler Meyer LLP, 650 California Street, Fourteenth Floor, San Francisco, CA 94108 (US).

- (71) Applicant (for all designated States except US): **ST. FRANCIS MEDICAL TECHNOLOGIES, INC.** [US/US]; 1201 Marina Village Parkway, Suite 200, Alameda, CA 94501 (US).

- (81) Designated States (unless otherwise indicated, for every kind of national protection available): AE, AG, AL, AM, AT, AU, AZ, BA, BB, BG, BR, BW, BY, BZ, CA, CH, CN, CO, CR, CU, CZ, DE, DK, DM, DZ, EC, EE, EG, ES, FI, GB, GD, GE, GH, GM, HR, HU, ID, IL, IN, IS, JP, KE,

[Continued on next page]

(54) Title: INTERSPINOUS PROCESS IMPLANT HAVING DEPLOYABLE WING AND METHOD OF IMPLANTATION



(57) Abstract: Systems and method in accordance with an embodiment of the present invention can include an implant comprising a first wing, a spacer extending from the first wing, and a distraction guide. The distraction guide is arranged in a first configuration to pierce and/or distract tissue associated with adjacent spinous processes extending from vertebrae of a targeted motion segment. The implant can be positioned between the adjacent spinous processes and once positioned, the distraction guide can be arranged in a second configuration. When arranged in a second configuration, the distraction guide can act as a second wing. The first wing and the second wing can limit or block movement of the implant along a longitudinal axis of the implant.

WO 2006/102269 A3



KG, KM, KN, KP, KR, KZ, LC, LK, LR, LS, LT, LU, LV, LY, MA, MD, MG, MK, MN, MW, MX, MZ, NA, NG, NI, NO, NZ, OM, PG, PH, PL, PT, RO, RU, SC, SD, SE, SG, SK, SL, SM, SY, TJ, TM, TN, TR, TT, TZ, UA, UG, US, UZ, VC, VN, YU, ZA, ZM, ZW.

(84) Designated States (*unless otherwise indicated, for every kind of regional protection available*): ARIPO (BW, GH, GM, KE, LS, MW, MZ, NA, SD, SL, SZ, TZ, UG, ZM, ZW), Eurasian (AM, AZ, BY, KG, KZ, MD, RU, TJ, TM), European (AT, BE, BG, CH, CY, CZ, DE, DK, EE, ES, FI, FR, GB, GR, HU, IE, IS, IT, LT, LU, LV, MC, NL, PL, PT, RO, SE, SI, SK, TR), OAPI (BF, BJ, CF, CG, CI, CM, GA, GN, GQ, GW, ML, MR, NE, SN, TD, TG).

Published:

- *with international search report*
- *before the expiration of the time limit for amending the claims and to be republished in the event of receipt of amendments*

(88) Date of publication of the international search report:

10 May 2007

For two-letter codes and other abbreviations, refer to the "Guidance Notes on Codes and Abbreviations" appearing at the beginning of each regular issue of the PCT Gazette.

INTERNATIONAL SEARCH REPORT

International application No.
PCT/US06/10115

A. CLASSIFICATION OF SUBJECT MATTER
 IPC: **A61F 2/30(2006.01)**

USPC: 606/61

According to International Patent Classification (IPC) or to both national classification and IPC

B. FIELDS SEARCHED

Minimum documentation searched (classification system followed by classification symbols)
 U.S. : 606/61

Documentation searched other than minimum documentation to the extent that such documents are included in the fields searched

Electronic data base consulted during the international search (name of data base and, where practicable, search terms used)

C. DOCUMENTS CONSIDERED TO BE RELEVANT

Category *	Citation of document, with indication, where appropriate, of the relevant passages	Relevant to claim No.
X	US 6,068,630 A (Zucherman et al.) 30 May 2000 (30.05.2000) Figures 1-118	1-20

Further documents are listed in the continuation of Box C. See patent family annex.

<p>* Special categories of cited documents:</p> <p>"A" document defining the general state of the art which is not considered to be of particular relevance</p> <p>"E" earlier application or patent published on or after the international filing date</p> <p>"L" document which may throw doubts on priority claim(s) or which is cited to establish the publication date of another citation or other special reason (as specified)</p> <p>"O" document referring to an oral disclosure, use, exhibition or other means</p> <p>"P" document published prior to the international filing date but later than the priority date claimed</p>	<p>"T" later document published after the international filing date or priority date and not in conflict with the application but cited to understand the principle or theory underlying the invention</p> <p>"X" document of particular relevance; the claimed invention cannot be considered novel or cannot be considered to involve an inventive step when the document is taken alone</p> <p>"Y" document of particular relevance; the claimed invention cannot be considered to involve an inventive step when the document is combined with one or more other such documents, such combination being obvious to a person skilled in the art</p> <p>"&" document member of the same patent family</p>
---	---

Date of the actual completion of the international search 16 February 2007 (16.02.2007)	Date of mailing of the international search report 22 MAR 2007
--	--

Name and mailing address of the ISA/US Mail Stop PCT, Attn: ISA/US Commissioner for Patents P.O. Box 1450 Alexandria, Virginia 22313-1450 Facsimile No. (571) 273-3201	Authorized officer Corrine McDermott <i>Sharon W. Greene for</i> Telephone No. 571 272-4754
---	---