

(19) World Intellectual Property Organization
International Bureau



(43) International Publication Date
20 September 2007 (20.09.2007)

PCT

(10) International Publication Number
WO 2007/106714 A3

(51) International Patent Classification:
B62D 51/04 (2006.01)

(74) Agents: **KIRKPATRICK, Bryan, D.** et al.; Marger Johnson & McCollom, P.C., 210 SW Morrison Street, Suite 400, Portland, OR 97204 (US).

(21) International Application Number:

PCT/US2007/063597

(22) International Filing Date: 8 March 2007 (08.03.2007)

(25) Filing Language: English

(26) Publication Language: English

(30) Priority Data:

11/372,638 10 March 2006 (10.03.2006) US

11/556,046 2 November 2006 (02.11.2006) US

(71) Applicant (for all designated States except US): **NACCO MATERIALS HANDLING GROUP, INC.** [US/US]; 650 N.E. Holladay Street, Suite 1600, Portland, OR 97232 (US).

(81) Designated States (unless otherwise indicated, for every kind of national protection available): AE, AG, AL, AM, AT, AU, AZ, BA, BB, BG, BR, BW, BY, BZ, CA, CH, CN, CO, CR, CU, CZ, DE, DK, DM, DZ, EC, EE, EG, ES, FI, GB, GD, GE, GH, GM, GT, HN, HR, HU, ID, IL, IN, IS, JP, KE, KG, KM, KN, KP, KR, KZ, LA, LC, LK, LR, LS, LT, LU, LY, MA, MD, MG, MK, MN, MW, MX, MY, MZ, NA, NG, NI, NO, NZ, OM, PG, PH, PL, PT, RO, RS, RU, SC, SD, SE, SG, SK, SL, SM, SV, SY, TJ, TM, TN, TR, TT, TZ, UA, UG, US, UZ, VC, VN, ZA, ZM, ZW.

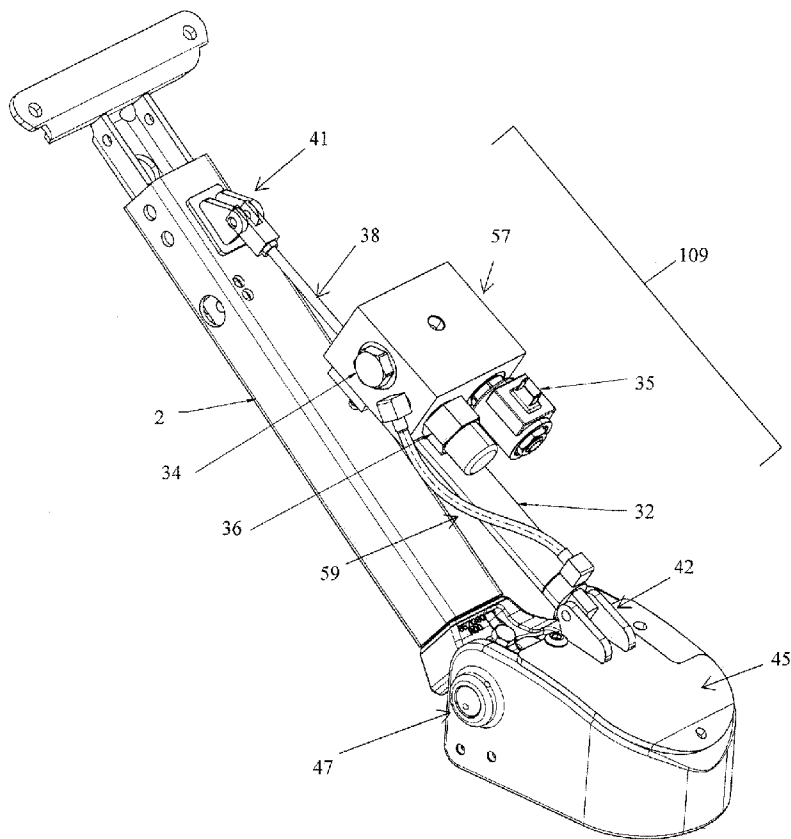
(72) Inventors; and

(75) Inventors/Applicants (for US only): **ROSE, Timothy, L.** [US/US]; 1702 Jason Court, Winterville, NC 28590 (US). **HOFFMANN, Matthew, K.** [US/US]; 730 Maple Ridge Drive, Greenville, NC 27858 (US).

(84) Designated States (unless otherwise indicated, for every kind of regional protection available): ARIPO (BW, GH, GM, KE, LS, MW, MZ, NA, SD, SL, SZ, TZ, UG, ZM, ZW), Eurasian (AM, AZ, BY, KG, KZ, MD, RU, TJ, TM), European (AT, BE, BG, CH, CY, CZ, DE, DK, EE, ES, FI, FR, GB, GR, HU, IE, IS, IT, LT, LU, LV, MC, MT, NL, PL,

[Continued on next page]

(54) Title: COAST CONTROL SYSTEM FOR AN INDUSTRIAL VEHICLE



(57) Abstract: An apparatus, system and method to control the operability of a motorized vehicle such as an industrial pallet truck. The apparatus includes a coast control system, a steer arm, and an actuation cylinder attached to the steer arm that maintains the steer arm in an operator selectable position when the coast control system is activated.

WO 2007/106714 A3



PT, RO, SE, SI, SK, TR), OAPI (BF, BJ, CF, CG, CI, CM,
GA, GN, GQ, GW, ML, MR, NE, SN, TD, TG).

Published:

— *with international search report*

(88) Date of publication of the international search report:

6 March 2008

INTERNATIONAL SEARCH REPORT

International application No.

PCT/US07/63597

A. CLASSIFICATION OF SUBJECT MATTER

IPC(8) - B62D 51/04 (2007.10)

USPC - 280/43.12

According to International Patent Classification (IPC) or to both national classification and IPC

B. FIELDS SEARCHED

Minimum documentation searched (classification system followed by classification symbols)

IPC(8) - B62D 51/04 (2007.10)

USPC - 280/43.12; 180/19.3

Documentation searched other than minimum documentation to the extent that such documents are included in the fields searched

Electronic data base consulted during the international search (name of data base and, where practicable, search terms used)

MicroPatent, IP.com, DialogPro

C. DOCUMENTS CONSIDERED TO BE RELEVANT

Category*	Citation of document, with indication, where appropriate, of the relevant passages	Relevant to claim No.
X - Y	US 2004/0099453 A1 (GUY) 27 May 2004 (27.05.2004) entire document)	1-4, 25-28 ----- 5-22, 23, 24
Y	US 4,223,901 A (KLEMICK) 23 September 1980 (23.09.1980) entire document	5-22
Y	US 2005/0016779 A1 (LINDSAY et al) 27 January 2005 (27.01.2005) entire document	23, 24

Further documents are listed in the continuation of Box C.

* Special categories of cited documents:

"A" document defining the general state of the art which is not considered to be of particular relevance

"E" earlier application or patent but published on or after the international filing date

"L" document which may throw doubts on priority claim(s) or which is cited to establish the publication date of another citation or other special reason (as specified)

"O" document referring to an oral disclosure, use, exhibition or other means

"P" document published prior to the international filing date but later than the priority date claimed

"T" later document published after the international filing date or priority date and not in conflict with the application but cited to understand the principle or theory underlying the invention

"X" document of particular relevance; the claimed invention cannot be considered novel or cannot be considered to involve an inventive step when the document is taken alone

"Y" document of particular relevance; the claimed invention cannot be considered to involve an inventive step when the document is combined with one or more other such documents, such combination being obvious to a person skilled in the art

"&" document member of the same patent family

Date of the actual completion of the international search

14 November 2007

Date of mailing of the international search report

07 DEC 2007

Name and mailing address of the ISA/US

Mail Stop PCT, Attn: ISA/US, Commissioner for Patents

P.O. Box 1450, Alexandria, Virginia 22313-1450

Facsimile No. 571-273-3201

Authorized officer:

Blaine R. Copenheaver

PCT Helpdesk: 571-272-4300

PCT OSP: 571-272-7774