



US00D342641S

# United States Patent [19]

[11] Patent Number: **Des. 342,641**

Falk

[45] Date of Patent: **\*\* Dec. 28, 1993**

[54] **ELECTRIC COOKTOP APPLIANCE**

[75] Inventor: **Donald G. Falk**, Louisville, Ky.

[73] Assignee: **General Electric Company**,  
Louisville, Ky.

[\*\*] Term: **14 Years**

[21] Appl. No.: **756,763**

[22] Filed: **Sep. 9, 1991**

[52] U.S. Cl. .... **D7/407**

[58] Field of Search ..... **D7/339-340,**  
**D7/346-347, 332, 338, 402, 407-409; 126/39 R,**  
**39 E, 39 H, 211, 214 C, 299 D, 300; 99/422,**  
**444-446, 450, 460; 219/443, 458**

[56] **References Cited**

### U.S. PATENT DOCUMENTS

D. 210,336	2/1968	Jenn et al. ....	D7/346
D. 230,390	2/1974	Tyke et al. ....	D7/346
D. 264,673	6/1982	Schreder ....	D7/346
D. 277,448	2/1985	Vetter et al. ....	D7/346

D. 277,449	2/1985	Vetter et al. ....	D7/346
D. 285,280	8/1986	Fischer et al. ....	D7/407
D. 326,387	5/1992	Monitto et al. ....	D7/346
D. 326,982	6/1992	Schreder ....	D7/407

*Primary Examiner*—Ruth McInroy

*Attorney, Agent, or Firm*—H. Neil Houser; Radford M. Reams

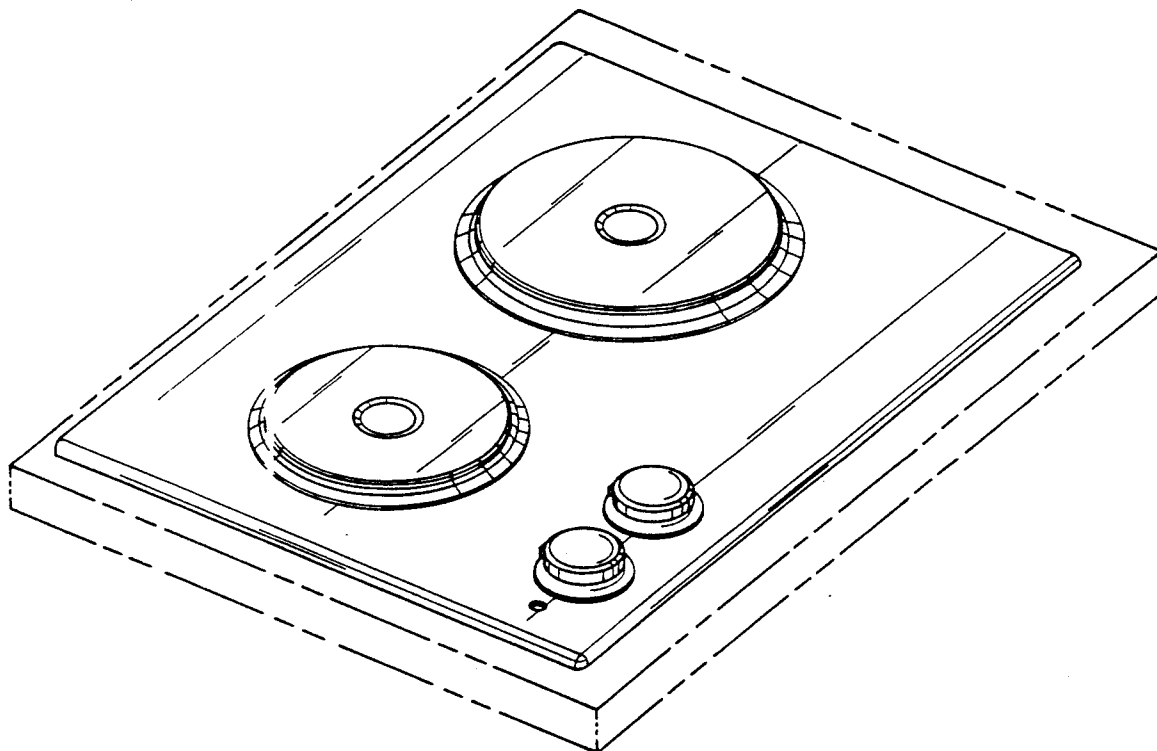
### [57] CLAIM

The ornamental design for an electric cooktop appliance as applied to an electric cooking appliance, as shown and described.

### DESCRIPTION

FIG. 1 is a top perspective view of an electric cooktop appliance showing my new design; FIG. 2 is a side elevational view thereof; and, FIG. 3 is an end elevational view thereof.

The portion shown in broken lines in FIGS. 1-3 is shown for illustrative purposes only and forms no part of the claimed design. The undisclosed bottom is flat and unornamented.



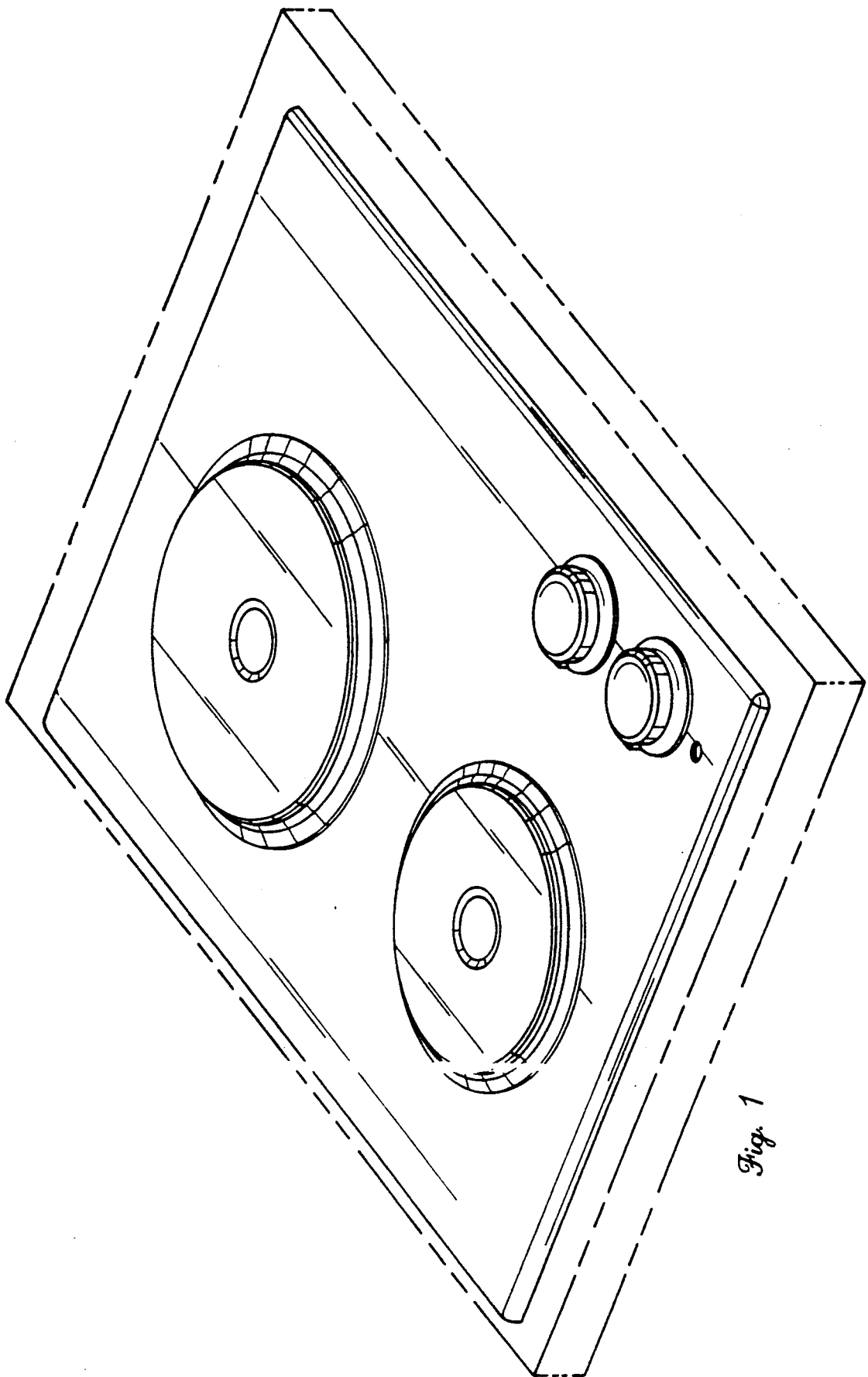
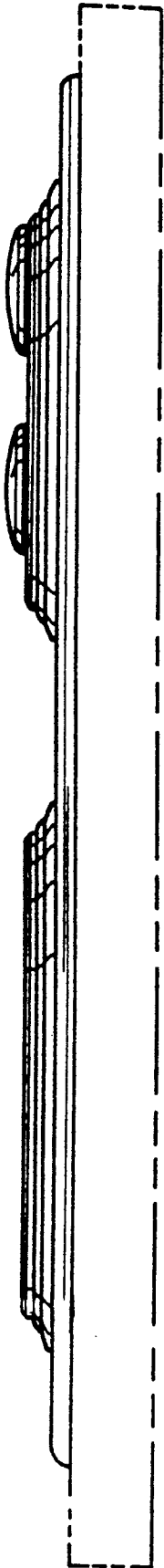
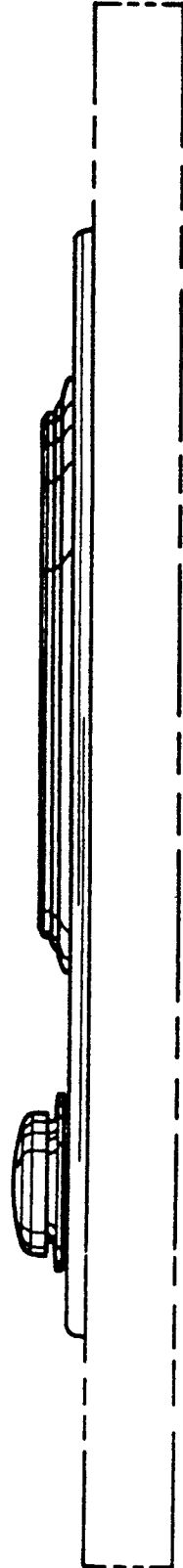


Fig. 1



*Fig. 2*



*Fig. 3*