

(19) World Intellectual Property Organization
International Bureau



(43) International Publication Date
27 February 2003 (27.02.2003)

PCT

(10) International Publication Number
WO 03/017505 A3

(51) International Patent Classification⁷: **H04L 27/00**

(21) International Application Number: PCT/US02/24449

(22) International Filing Date: 1 August 2002 (01.08.2002)

(25) Filing Language: English

(26) Publication Language: English

(30) Priority Data:
60/310,298 4 August 2001 (04.08.2001) US

(71) Applicant (for all designated States except US): **ENIKIA LLC** [US/US]; 15 Independence Boulevard, Warren, NJ 07059 (US).

(72) Inventors; and

(75) Inventors/Applicants (for US only): **MANIS, Constantine, N.** [US/US]; 11 Drinking Brook Road, Monmouth Junction, NJ 08852 (US). **LOGVINOV, Oleg** [US/US]; 27 Beacon Hill Drive, East Brunswick, NJ (US). **BAUTISTA, Mike, K.** [US/US]; 215 Canyon Drive, Portola Valley, CA 94028 (US).

(74) Agent: **HILDEBRAND, Christa**; Norris, McLaughlin & Marcus, 220 East 42nd Street, 30th Floor, New York, NY 10017 (US).

(81) Designated States (national): AE, AG, AL, AM, AT, AU, AZ, BA, BB, BG, BR, BY, BZ, CA, CH, CN, CO, CR, CU, CZ, DE, DK, DM, DZ, EC, EE, ES, FI, GB, GD, GE, GH, GM, HR, HU, ID, IL, IN, IS, JP, KE, KG, KP, KR, KZ, LC, LK, LR, LS, LT, LU, LV, MA, MD, MG, MK, MN, MW, MX, MZ, NO, NZ, OM, PH, PL, PT, RO, RU, SD, SE, SG, SI, SK, SL, TJ, TM, TN, TR, TT, TZ, UA, UG, US, UZ, VN, YU, ZA, ZM, ZW.

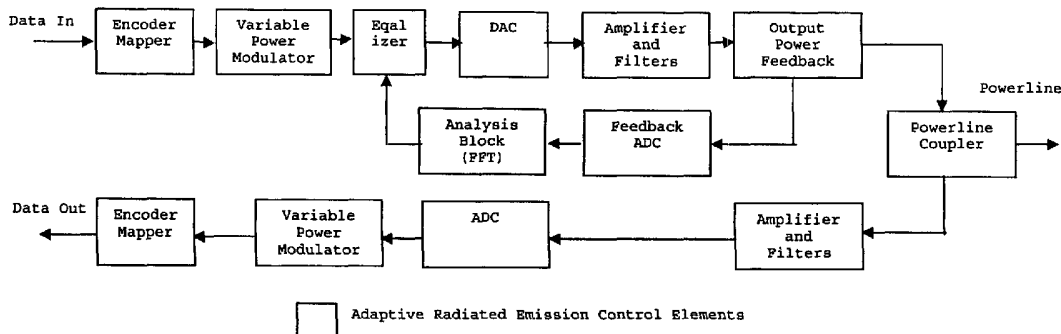
(84) Designated States (regional): ARIPO patent (GH, GM, KE, LS, MW, MZ, SD, SL, SZ, TZ, UG, ZM, ZW), Eurasian patent (AM, AZ, BY, KG, KZ, MD, RU, TJ, TM), European patent (AT, BE, BG, CH, CY, CZ, DE, DK, EE, ES, FI, FR, GB, GR, IE, IT, LU, MC, NL, PT, SE, SK, TR), OAPI patent (BF, BJ, CF, CG, CI, CM, GA, GN, GQ, GW, ML, MR, NE, SN, TD, TG).

Published:
— with international search report

(88) Date of publication of the international search report:
30 October 2003

For two-letter codes and other abbreviations, refer to the "Guidance Notes on Codes and Abbreviations" appearing at the beginning of each regular issue of the PCT Gazette.

(54) Title: ADAPTIVE RADIATED EMISSION CONTROL



(57) Abstract: An adaptive radiated emission control includes measurement of the transmit power spectrum (Analysis Block FFT) and feedback to a variable power modulator (Variable Power Modulator). The variable power modulator (Variable Power Modulator) creates an adjusted output spectrum that limits radiated emissions. Alternatively, the variable power modulator (Variable Power Modulator) may also be an equalizer to adjust the output spectrum.

WO 03/017505 A3

INTERNATIONAL SEARCH REPORT

International application No.

PCT/US02/24449

<p>A. CLASSIFICATION OF SUBJECT MATTER IPC(7) : H04L 27/00 US CL : 375/256 According to International Patent Classification (IPC) or to both national classification and IPC</p>																	
<p>B. FIELDS SEARCHED Minimum documentation searched (classification system followed by classification symbols) U.S. : 375/256, 296, 297, 316; 330/10 Documentation searched other than minimum documentation to the extent that such documents are included in the fields searched Electronic data base consulted during the international search (name of data base and, where practicable, search terms used) Please See Continuation Sheet</p>																	
<p>C. DOCUMENTS CONSIDERED TO BE RELEVANT</p> <table border="1"> <thead> <tr> <th>Category *</th> <th>Citation of document, with indication, where appropriate, of the relevant passages</th> <th>Relevant to claim No.</th> </tr> </thead> <tbody> <tr> <td>X ---</td> <td>US 6,141,390 A (COVA) 31 October 2000, column 4, line 35-column 5, line 44</td> <td>1, 2 and 18-24 -----</td> </tr> <tr> <td>Y</td> <td></td> <td>3-7</td> </tr> <tr> <td>Y</td> <td>WO 00/38402 A (MANIS et al.) 29 June 2000, figure 2</td> <td>3-7</td> </tr> <tr> <td>A</td> <td>US 6,147,553 A (KOLANEK) 14 November 2000, all</td> <td>1-24</td> </tr> </tbody> </table>			Category *	Citation of document, with indication, where appropriate, of the relevant passages	Relevant to claim No.	X ---	US 6,141,390 A (COVA) 31 October 2000, column 4, line 35-column 5, line 44	1, 2 and 18-24 -----	Y		3-7	Y	WO 00/38402 A (MANIS et al.) 29 June 2000, figure 2	3-7	A	US 6,147,553 A (KOLANEK) 14 November 2000, all	1-24
Category *	Citation of document, with indication, where appropriate, of the relevant passages	Relevant to claim No.															
X ---	US 6,141,390 A (COVA) 31 October 2000, column 4, line 35-column 5, line 44	1, 2 and 18-24 -----															
Y		3-7															
Y	WO 00/38402 A (MANIS et al.) 29 June 2000, figure 2	3-7															
A	US 6,147,553 A (KOLANEK) 14 November 2000, all	1-24															
<p><input type="checkbox"/> Further documents are listed in the continuation of Box C. <input type="checkbox"/> See patent family annex.</p>																	
<p>* Special categories of cited documents:</p> <table border="0"> <tr> <td>"A" document defining the general state of the art which is not considered to be of particular relevance</td> <td>"T" later document published after the international filing date or priority date and not in conflict with the application but cited to understand the principle or theory underlying the invention</td> </tr> <tr> <td>"E" earlier application or patent published on or after the international filing date</td> <td>"X" document of particular relevance; the claimed invention cannot be considered novel or cannot be considered to involve an inventive step when the document is taken alone</td> </tr> <tr> <td>"L" document which may throw doubts on priority claim(s) or which is cited to establish the publication date of another citation or other special reason (as specified)</td> <td>"Y" document of particular relevance; the claimed invention cannot be considered to involve an inventive step when the document is combined with one or more other such documents, such combination being obvious to a person skilled in the art</td> </tr> <tr> <td>"O" document referring to an oral disclosure, use, exhibition or other means</td> <td>"&" document member of the same patent family</td> </tr> <tr> <td>"P" document published prior to the international filing date but later than the priority date claimed</td> <td></td> </tr> </table>			"A" document defining the general state of the art which is not considered to be of particular relevance	"T" later document published after the international filing date or priority date and not in conflict with the application but cited to understand the principle or theory underlying the invention	"E" earlier application or patent published on or after the international filing date	"X" document of particular relevance; the claimed invention cannot be considered novel or cannot be considered to involve an inventive step when the document is taken alone	"L" document which may throw doubts on priority claim(s) or which is cited to establish the publication date of another citation or other special reason (as specified)	"Y" document of particular relevance; the claimed invention cannot be considered to involve an inventive step when the document is combined with one or more other such documents, such combination being obvious to a person skilled in the art	"O" document referring to an oral disclosure, use, exhibition or other means	"&" document member of the same patent family	"P" document published prior to the international filing date but later than the priority date claimed						
"A" document defining the general state of the art which is not considered to be of particular relevance	"T" later document published after the international filing date or priority date and not in conflict with the application but cited to understand the principle or theory underlying the invention																
"E" earlier application or patent published on or after the international filing date	"X" document of particular relevance; the claimed invention cannot be considered novel or cannot be considered to involve an inventive step when the document is taken alone																
"L" document which may throw doubts on priority claim(s) or which is cited to establish the publication date of another citation or other special reason (as specified)	"Y" document of particular relevance; the claimed invention cannot be considered to involve an inventive step when the document is combined with one or more other such documents, such combination being obvious to a person skilled in the art																
"O" document referring to an oral disclosure, use, exhibition or other means	"&" document member of the same patent family																
"P" document published prior to the international filing date but later than the priority date claimed																	
<p>Date of the actual completion of the international search 26 November 2002 (26.11.2002)</p>		<p>Date of mailing of the international search report 21 FEB 2003</p>															
<p>Name and mailing address of the ISA/US Commissioner of Patents and Trademarks Box PCT Washington, D.C. 20231 Facsimile No. (703)305-3230</p>		<p>Authorized officer <i>Ronald E. Liu</i> Shuwang Liu Telephone No. 703 308-9556</p>															

INTERNATIONAL SEARCH REPORT

PCT/US02/24449

Continuation of B. FIELDS SEARCHED Item 3:

East

search terms: variable modulator, feedback, power line, FFT