



US00D740486S

(12) **United States Design Patent**
Stanley

(10) **Patent No.:** **US D740,486 S**

(45) **Date of Patent:** **** Oct. 6, 2015**

(54) **LIGHT FIXTURE**

(71) Applicant: **IP Holdings, LLC**, Vancouver, WA (US)

(72) Inventor: **John Stanley**, Vancouver, WA (US)

(73) Assignee: **IP Holdings, LLC**, Vancouver, WA (US)

(**) Term: **14 Years**

(21) Appl. No.: **29/492,972**

(22) Filed: **Jun. 4, 2014**

(51) **LOC (10) Cl.** **26-99**

(52) **U.S. Cl.**
USPC **D26/118**

(58) **Field of Classification Search**

USPC D26/25-26, 28, 51, 55-57, 59-64, 66,
D26/72-91, 93, 113, 118-120, 122, 138,
D26/140-142; 362/145-148, 150-153,
362/153.1, 217.01, 217.02, 217.05-217.07,
362/217.1, 217.15, 218, 223, 241, 249.02,
362/296.07, 296.08, 294, 299, 311.02,
362/341-345, 362, 373, 563, 580, 600, 608,
362/609, 640, 641, 805; D11/142, 143,
D11/144, 155

CPC . Y10S 362/805; Y10S 385/901; Y10S 47/06;
A01G 9/02

See application file for complete search history.

(56)

References Cited

U.S. PATENT DOCUMENTS

32,722 A * 7/1861 Schmidlin et al. 362/350
D85,049 S * 9/1931 Kopp D26/128
D123,768 S 12/1940 Scribner
D174,221 S * 3/1955 Hatch et al. D26/128
3,272,978 A 9/1966 Jackson
4,531,180 A 7/1985 Hernandez
4,933,821 A 6/1990 Anderson
D311,597 S 10/1990 Poot

D352,126 S * 11/1994 Ruud et al. D26/67
D396,319 S * 7/1998 Sutton D26/128
D419,248 S * 1/2000 Lyons D26/28
D425,652 S * 5/2000 Brok D26/118
6,152,579 A 11/2000 Reed et al.
D447,272 S * 8/2001 Smith D26/118
D456,938 S 5/2002 Wardenburg
D459,825 S 7/2002 Field
D469,564 S 1/2003 Brok
6,527,422 B1 3/2003 Hutchison
6,595,662 B2 7/2003 Wardenburg
D542,460 S 5/2007 Hargreaves
D543,652 S 5/2007 Hargreaves
D543,654 S 5/2007 Hargreaves
D544,139 S 6/2007 Hargreaves
D544,626 S 6/2007 Hargreaves
D544,983 S 6/2007 Hargreaves
D544,984 S 6/2007 Hargreaves
D544,985 S 6/2007 Hargreaves

(Continued)

Primary Examiner — Garth Rademaker

Assistant Examiner — Llorellys Martinez-Rivera

(74) *Attorney, Agent, or Firm* — J. Douglas Wells

(57)

CLAIM

The ornamental design for a light fixture, as shown and described.

DESCRIPTION

FIG. 1 is a bottom perspective view of a light fixture, showing my new design;

FIG. 2 is a top perspective view thereof;

FIG. 3 is a left side view thereof;

FIG. 4 is a right side view thereof;

FIG. 5 is a front elevation view thereof;

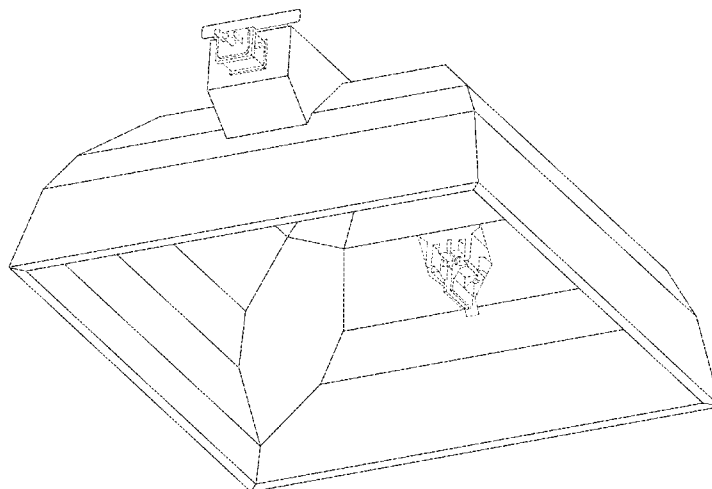
FIG. 6 is a rear elevation view thereof;

FIG. 7 is a top plan view thereof; and,

FIG. 8 is a bottom plan view thereof.

The broken lines shown in the drawings illustrate portions of the light fixture which form no part of the claimed design.

1 Claim, 8 Drawing Sheets



(56)

References Cited

U.S. PATENT DOCUMENTS

D544,987 S	6/2007	Hargreaves	D637,341 S *	5/2011	Wardenburg	D26/118
D544,994 S	6/2007	Hargreaves	D637,752 S	5/2011	Mekhtarian	
D544,995 S	6/2007	Hargreaves	7,972,044 B2	7/2011	Burkhauser	
D545,484 S	6/2007	Hargreaves	D650,515 S *	12/2011	Bradley et al.	D26/118
D545,994 S	7/2007	Hargreaves	8,209,912 B2	7/2012	Hargreaves et al.	
7,524,090 B2	4/2009	Hargreaves	D675,369 S	1/2013	Michaud	
D603,087 S	10/2009	Mo et al.	D678,599 S	3/2013	Boyer et al.	
7,641,367 B2	1/2010	Hargreaves et al.	D683,064 S	5/2013	Tuck	
D614,801 S	4/2010	Collins et al.	D698,987 S *	2/2014	Stanley	D26/118
D634,060 S	3/2011	Wardenburg	D707,385 S *	6/2014	Wardenburg et al.	D26/118
D634,468 S	3/2011	Hargreaves	2002/0141195 A1 *	10/2002	Peter	362/362
D634,469 S	3/2011	Hargreaves	2008/0205030 A1	8/2008	Hargreaves	
			2008/0205071 A1	8/2008	Townsley	
			2008/0278950 A1	11/2008	Pickard et al.	
			2009/0262540 A1	10/2009	Hargreaves et al.	

* cited by examiner

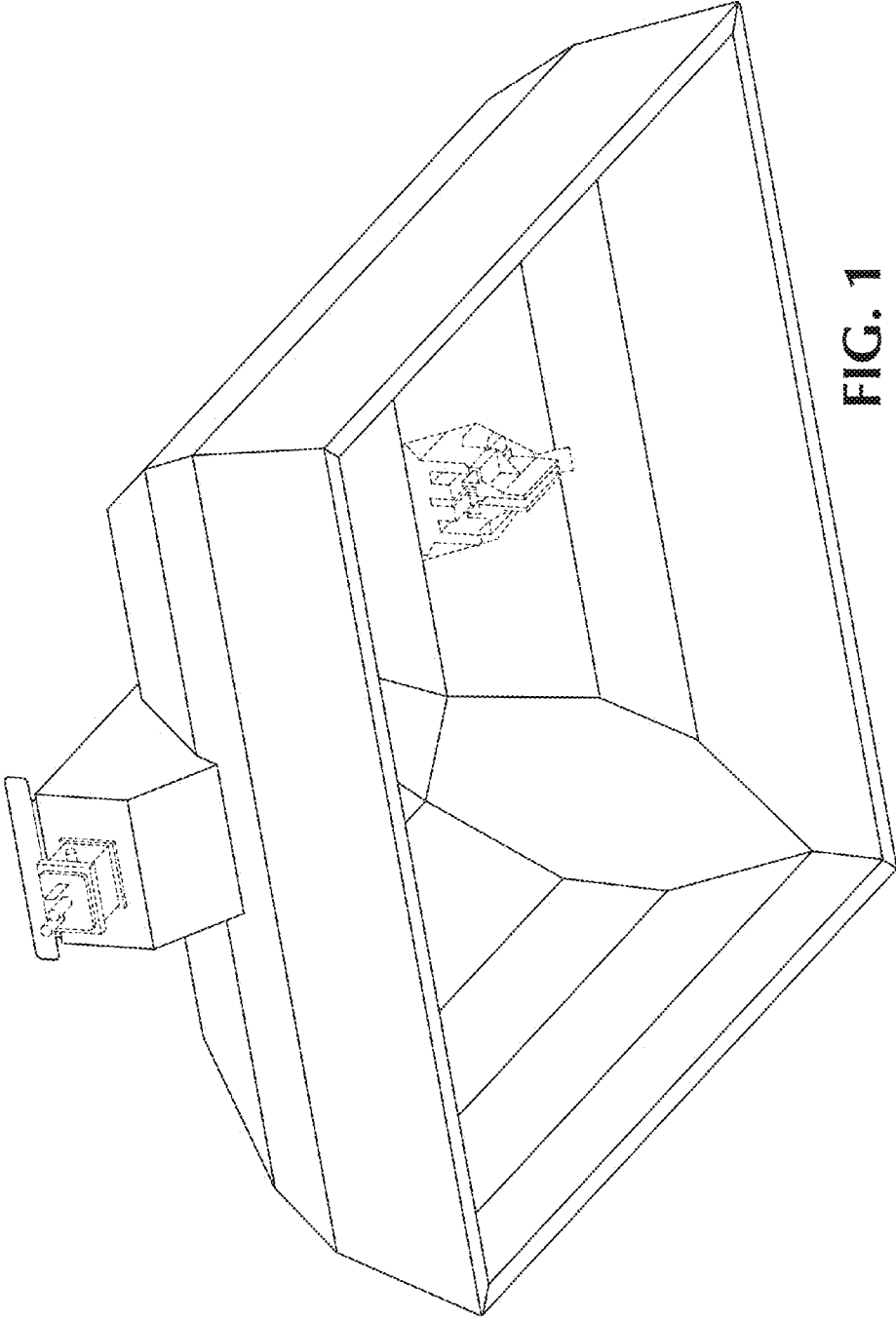


FIG. 1

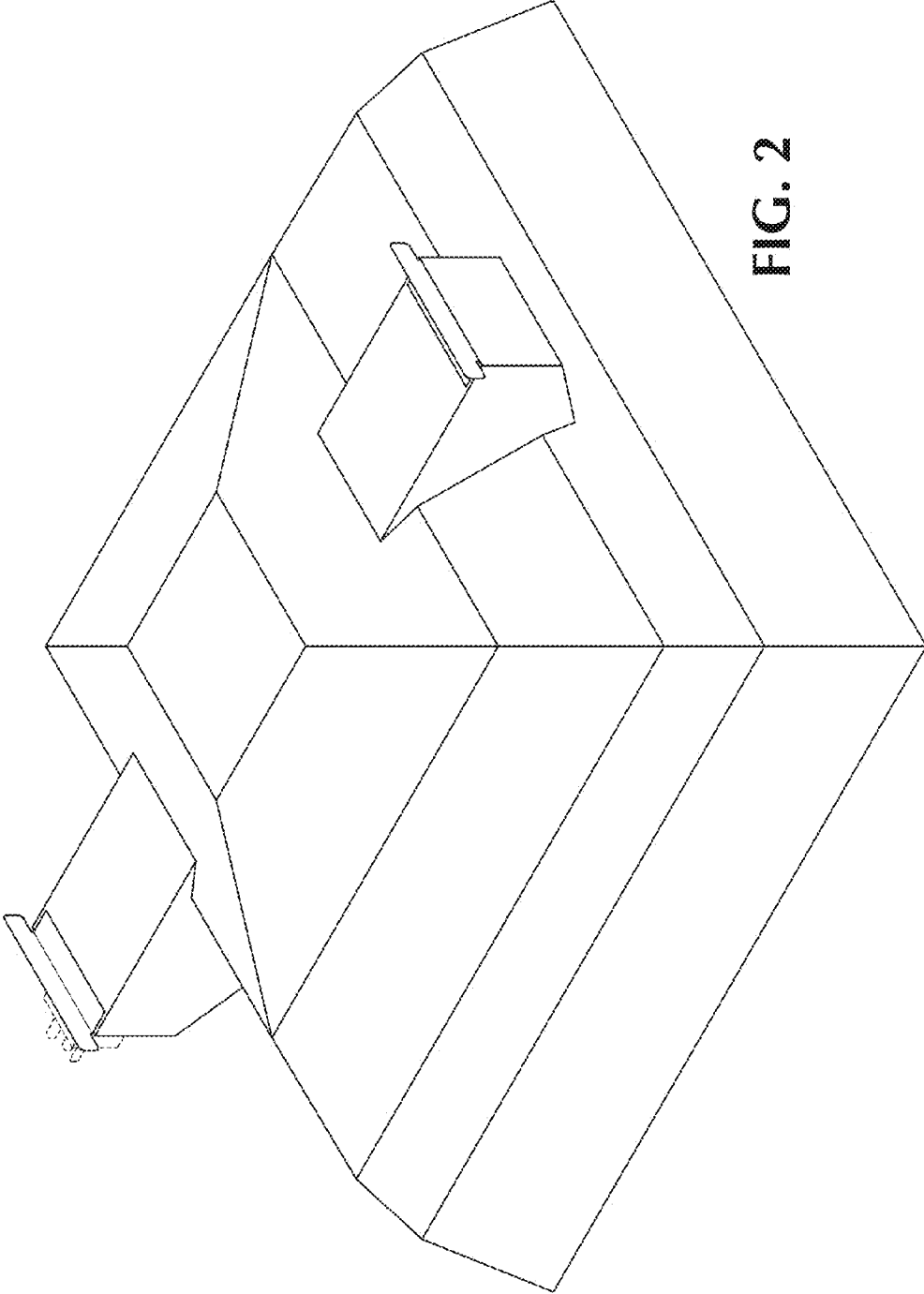


FIG. 2

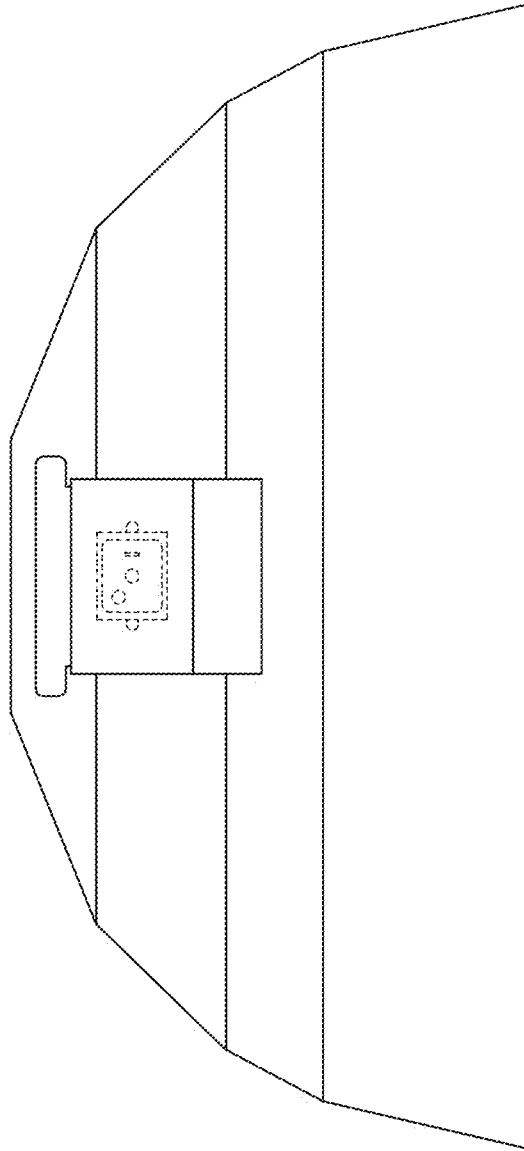


FIG. 3

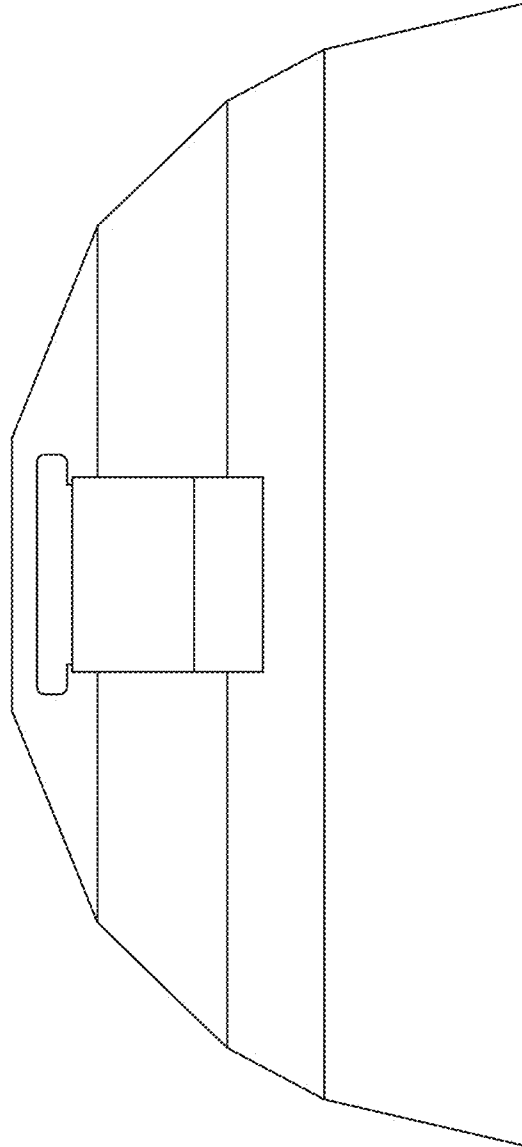


FIG. 4

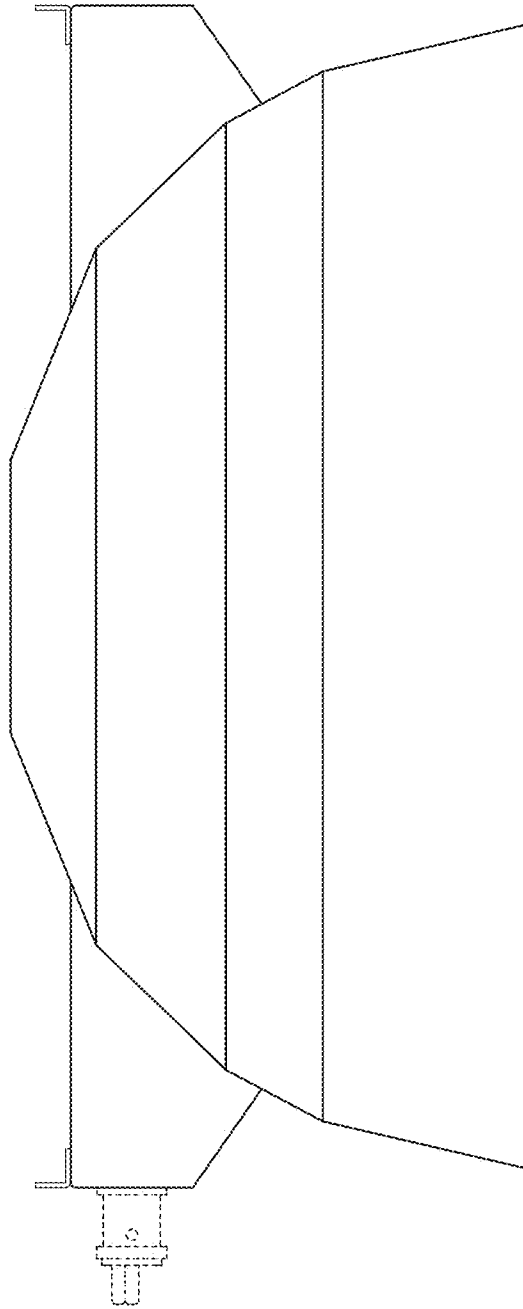


FIG. 5

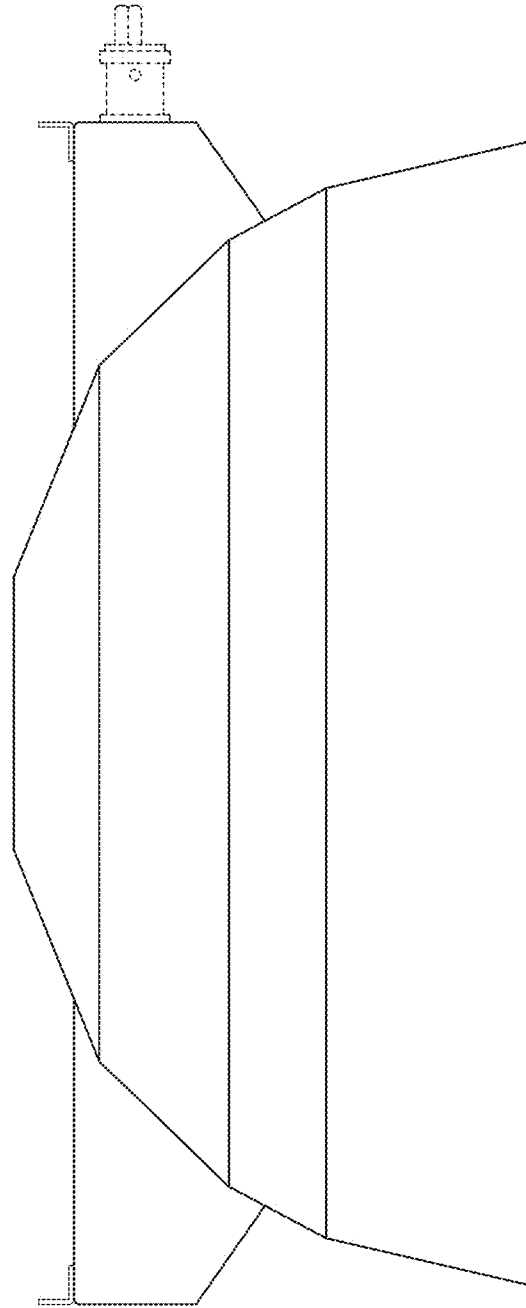


FIG. 6

FIG. 7

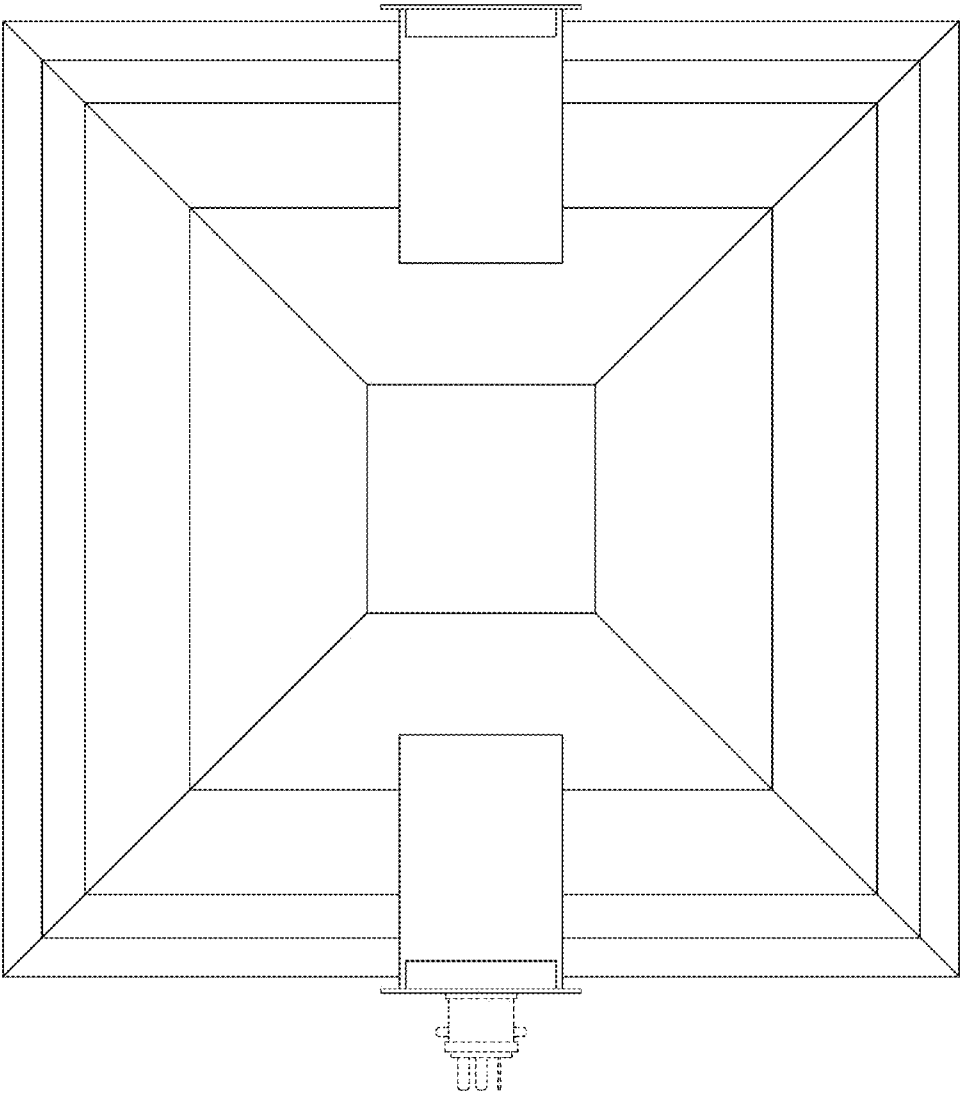


FIG. 8

