



US00D725820S

(12) **United States Design Patent**  
**Hargreaves**

(10) **Patent No.:** **US D725,820 S**

(45) **Date of Patent:** **\*\* Mar. 31, 2015**

- (54) **BALLAST FRAME**
- (71) Applicant: **IP Holdings, LLC**, Vancouver, WA (US)
- (72) Inventor: **Doug Hargreaves**, Vancouver, WA (US)
- (73) Assignee: **IP Holdings, LLC**, Vancouver, WA (US)
- (\*\*) Term: **14 Years**
- (21) Appl. No.: **29/476,546**
- (22) Filed: **Dec. 13, 2013**

|              |         |                |         |
|--------------|---------|----------------|---------|
| 4,924,152 A  | 5/1990  | Flickinger     |         |
| 5,140,225 A  | 8/1992  | Barton         |         |
| 5,446,617 A  | 8/1995  | Blocher et al. |         |
| D373,625 S   | 9/1996  | Pereira        |         |
| D387,333 S   | 12/1997 | Pellow et al.  |         |
| D387,970 S   | 12/1997 | Enslin         |         |
| 5,894,884 A  | 4/1999  | Durian         |         |
| D425,462 S * | 5/2000  | Ujii           | D12/171 |
| D432,639 S   | 10/2000 | Durian         |         |
| D477,568 S   | 7/2003  | Milby          |         |
| D478,547 S   | 8/2003  | Milby          |         |
| D523,803 S * | 6/2006  | Smith et al.   | D12/223 |
| D537,777 S   | 3/2007  | Hargreaves     |         |
| D545,737 S * | 7/2007  | Sherman        | D12/180 |

(Continued)

**Related U.S. Application Data**

- (63) Continuation of application No. 29/418,487, filed on Apr. 17, 2012, now Pat. No. Des. 698,074.

(51) **LOC (10) Cl.** ..... **26-99**

(52) **U.S. Cl.**  
USPC ..... **D26/138**

(58) **Field of Classification Search**  
USPC ..... D26/3, 24, 35, 39, 42, 71, 72, 75, 76,  
D26/78, 79, 80, 81, 82, 83, 85, 88, 90, 118,  
D26/119, 120, 121, 122, 138, 140, 141,  
D26/142; 362/23.07, 23.09, 23.16, 217.01,  
362/217.02, 217.05, 217.08, 217.09,  
362/249.02, 260, 311.02, 555, 612, 614,  
362/800

See application file for complete search history.

(56) **References Cited**

**U.S. PATENT DOCUMENTS**

|              |         |               |         |
|--------------|---------|---------------|---------|
| D177,532 S * | 4/1956  | Meyer et al.  | D26/128 |
| 3,197,545 A  | 7/1965  | Moore         |         |
| 3,741,292 A  | 6/1973  | Aakalu et al. |         |
| 4,413,674 A  | 11/1983 | Avery et al.  |         |
| 4,471,898 A  | 9/1984  | Parker        |         |
| D292,619 S * | 11/1987 | Chen          | D26/141 |
| 4,745,966 A  | 5/1988  | Avery         |         |

*Primary Examiner* — Caron D Veynar

*Assistant Examiner* — Natasha Vujcic

(74) *Attorney, Agent, or Firm* — J. Douglas Wells

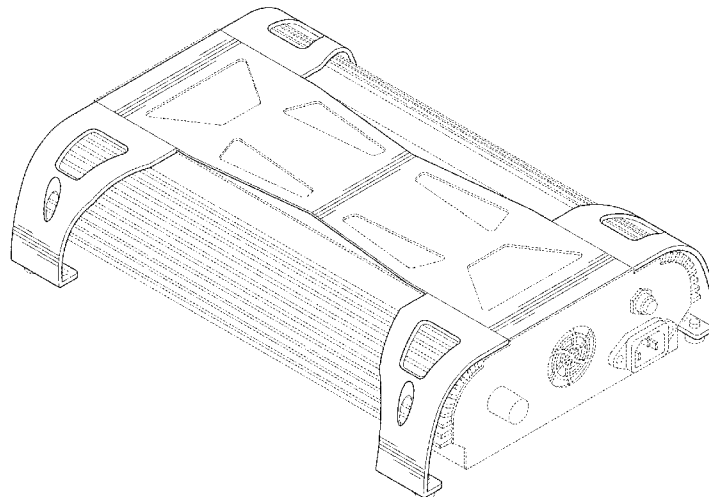
(57) **CLAIM**

The ornamental design for a ballast frame, as shown and described.

**DESCRIPTION**

FIG. 1 is a perspective view of a ballast frame, showing my new design;  
 FIG. 2 is a front elevation view of the ballast frame shown in FIG. 1;  
 FIG. 3 is a rear elevation view of the ballast frame shown in FIG. 1;  
 FIG. 4 is a right side view of the ballast frame shown in FIG. 1;  
 FIG. 5 is a left side view of the ballast frame shown in FIG. 1;  
 FIG. 6 is a top plan view of the ballast frame shown in FIG. 1;  
 and,  
 FIG. 7 is a bottom plan view of the ballast frame shown in FIG. 1.  
 The broken lines in the drawings illustrate portions of the ballast frame which form no part of the claimed design.

**1 Claim, 5 Drawing Sheets**



(56)

**References Cited**

U.S. PATENT DOCUMENTS

D545,996 S 7/2007 Hargreaves  
D615,848 S 5/2010 Prichard et al.  
D625,168 S \* 10/2010 Chen ..... D8/354  
D654,350 S \* 2/2012 Preda ..... D8/354

D691,074 S \* 10/2013 Dugardin ..... D12/171  
D698,074 S \* 1/2014 Hargreaves ..... D26/138  
D710,528 S \* 8/2014 Wardenburg et al. .... D26/75  
2010/0319953 A1 12/2010 Yochum et al.  
2011/0025797 A1 2/2011 Rosati et al.  
2011/0025803 A1 2/2011 Rosati et al.

\* cited by examiner

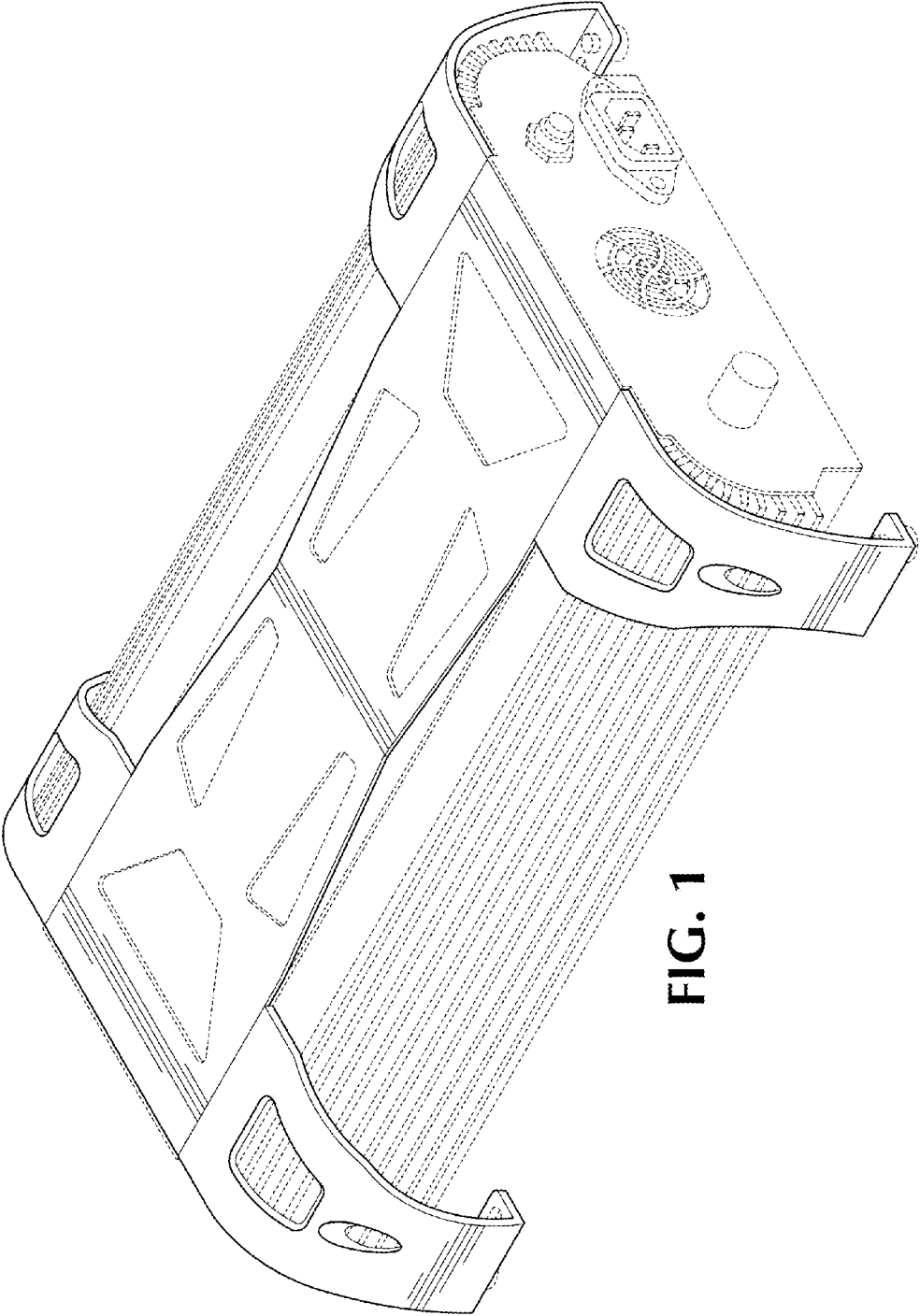


FIG. 1

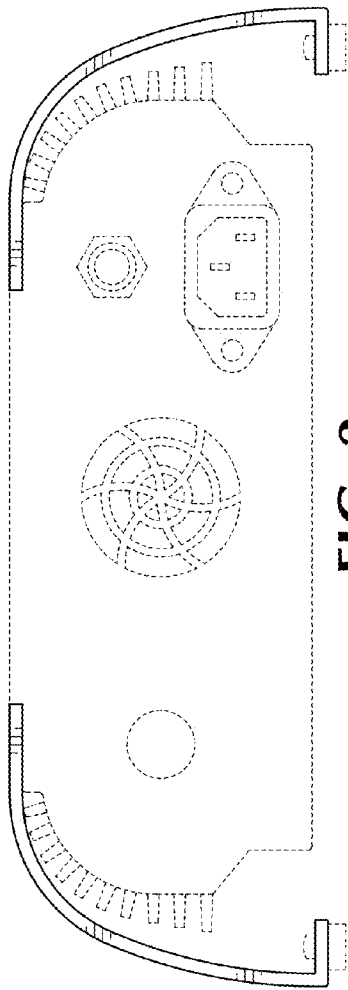


FIG. 2

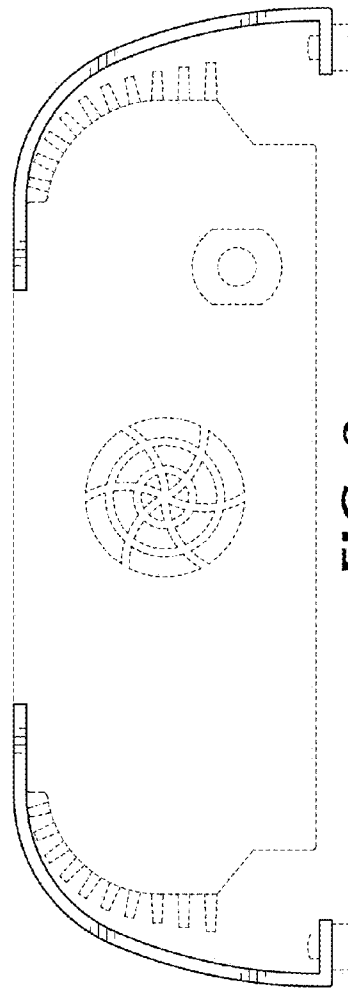


FIG. 3

3/5

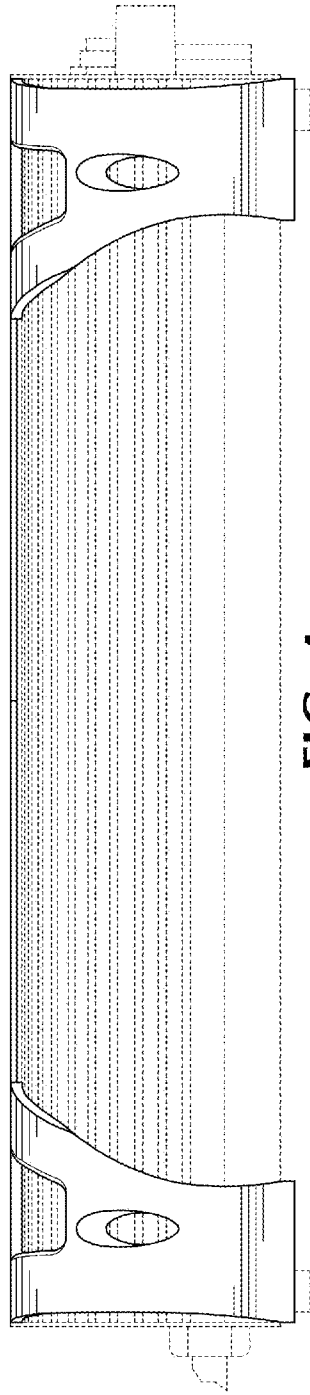


FIG. 4

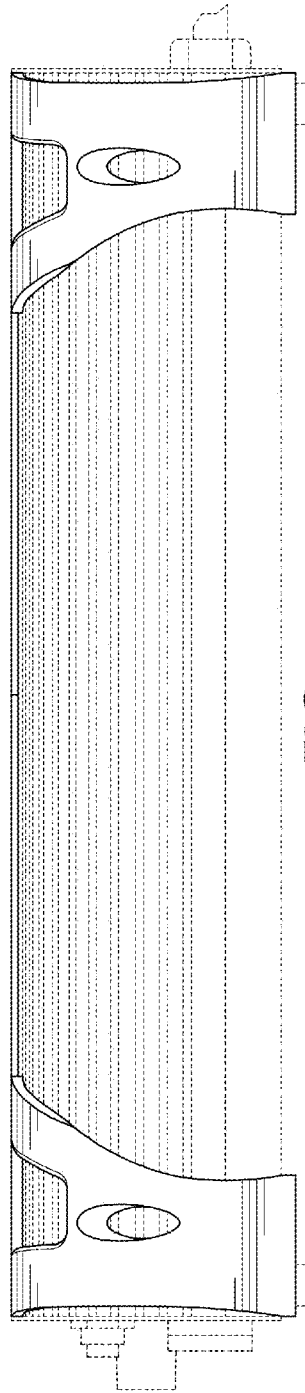


FIG. 5

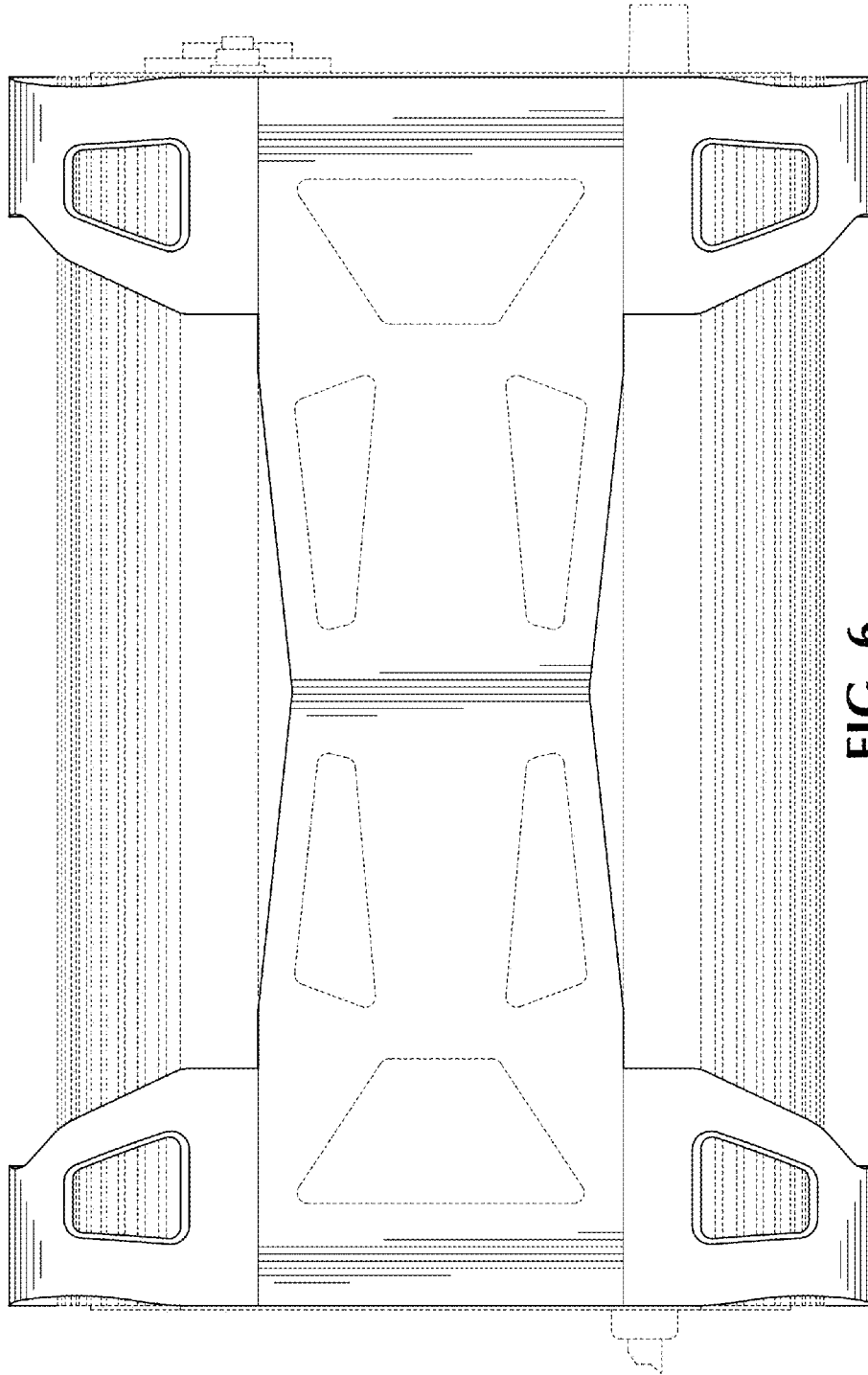


FIG. 6

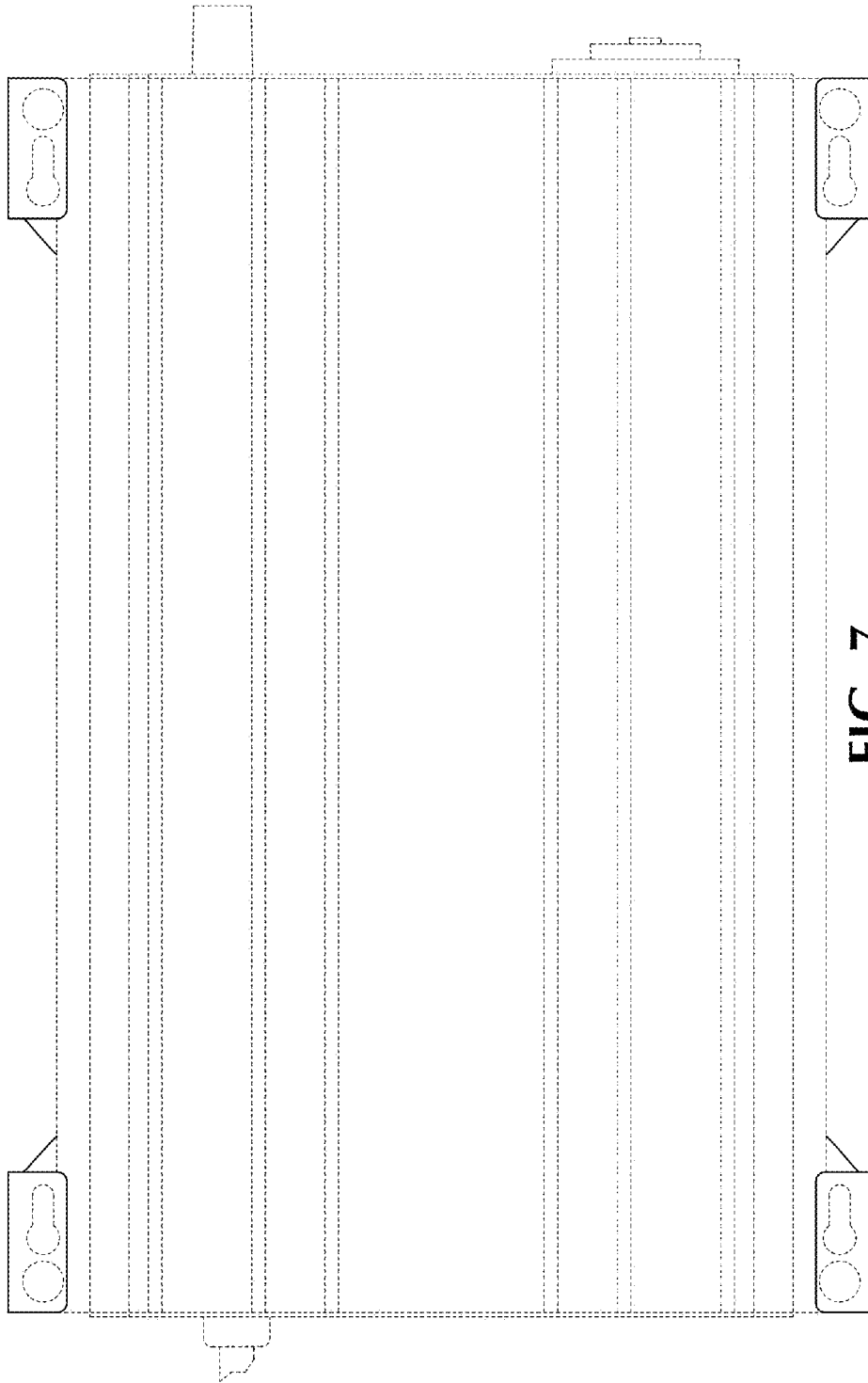


FIG. 7