



US00D870708S

(12) **United States Design Patent**
Lindenberger

(10) **Patent No.:** **US D870,708 S**

(45) **Date of Patent:** **** Dec. 24, 2019**

- (54) **HEADPHONE**
- (71) Applicant: **Harman International Industries, Incorporated**, Northridge, CA (US)
- (72) Inventor: **Laurent Lindenberger**, Shenzhen (CN)
- (73) Assignee: **Harman International Industries, Incorporated**, Northridge, CA (US)
- (**) Term: **15 Years**

2,805,332 A	9/1957	Bell
2,910,679 A	10/1959	Baldwin
2,964,596 A	12/1960	Christensen
2,971,065 A	2/1961	Busse
3,197,576 A	7/1965	Martin
3,234,467 A	2/1966	Haveson
3,324,253 A	6/1967	Uemura et al.

(Continued)

- (21) Appl. No.: **29/631,188**
- (22) Filed: **Dec. 28, 2017**
- (51) **LOC (12) Cl.** **14-01**
- (52) **U.S. Cl.**
USPC **D14/223; D14/205**
- (58) **Field of Classification Search**
USPC D14/203.1, 204–206, 208–210, 212–217, D14/219, 221–225, 249, 372, 433, 138 R, D14/182, 188, 191–194, 172, 496; D29/112; D28/41; D2/875; D24/173–175, 106; D3/294, 273; D13/118, 108, 119
CPC H04R 25/02; H04R 25/00; H04R 1/10; H04R 1/1016; H04R 1/105; H04R 1/1083; H04R 1/02; H04R 1/1041; H04R 1/28; H04R 5/033; H04R 2420/07; H04R 2430/00; H04R 2430/01
See application file for complete search history.

OTHER PUBLICATIONS

Design U.S. Appl. No. 29/588,699, filed Dec. 22, 2016.

Primary Examiner — Barbara Fox
Assistant Examiner — Mary Claire Ramirez
(74) *Attorney, Agent, or Firm* — Plumsea Law Group, LLC

(57) **CLAIM**

The ornamental design for a headphone, as shown and described.

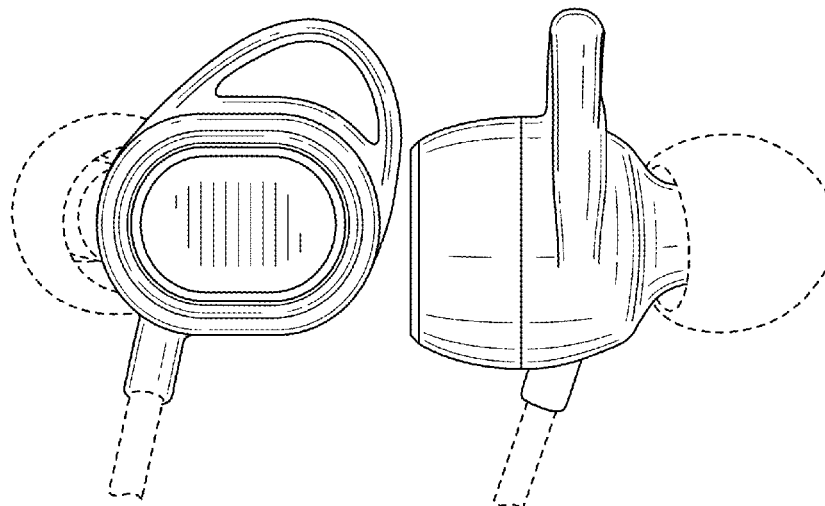
DESCRIPTION

FIG. 1 is a perspective view of a headphone showing the new design in a first embodiment; FIG. 2 is a front elevational view thereof; FIG. 3 is a rear elevational view thereof; FIG. 4 is a side elevational view thereof; FIG. 5 is an opposite side elevational view thereof; FIG. 6 is a top view thereof; FIG. 7 is a bottom view thereof; FIG. 8 is a perspective view of a headphone showing the new design in a second embodiment; FIG. 9 is a front elevational view thereof; FIG. 10 is a rear elevational view thereof; FIG. 11 is a side elevational view thereof; FIG. 12 is an opposite side elevational view thereof; FIG. 13 is a top view thereof; and, FIG. 14 is a bottom view thereof.

The broken lines shown in the drawings depict portions of the headphone that form no part of the claimed design.

1 Claim, 6 Drawing Sheets

- (56) **References Cited**
U.S. PATENT DOCUMENTS
- | | | |
|-------------|---------|---------------|
| 1,312,493 A | 8/1919 | Theis |
| 1,624,144 A | 4/1927 | Mathieu |
| 1,668,890 A | 5/1928 | Curran et al. |
| 1,668,910 A | 5/1928 | Jones |
| 1,753,817 A | 4/1930 | Aber |
| 2,377,739 A | 6/1945 | Wyckoff |
| 2,595,672 A | 5/1952 | Greenwood |
| 2,719,523 A | 10/1955 | Von Gierke |
| 2,754,365 A | 7/1956 | Walters |



(56)

References Cited

U.S. PATENT DOCUMENTS

3,440,365	A	4/1969	Bryant et al.	D637,997	S	5/2011	Peller	
3,457,375	A	7/1969	Haggerty	D637,998	S	5/2011	Brunner et al.	
D215,675	S	10/1969	Yran	D637,999	S	5/2011	Brunner et al.	
3,730,181	A	5/1973	Fling	D641,010	S	7/2011	Kwon	
3,783,201	A	1/1974	Weiss et al.	D643,416	S	8/2011	Chong et al.	
3,821,647	A	6/1974	Minasian	D649,957	S	12/2011	Fahrendorff et al.	
D236,988	S	9/1975	Walters et al.	D652,817	S	1/2012	Lee et al.	
4,069,400	A	1/1978	Johanson et al.	D652,822	S	1/2012	Lee et al.	
D259,279	S	5/1981	Takeda	D654,056	S	2/2012	Hoggarth et al.	
4,335,281	A	6/1982	Scott et al.	8,175,315	B2*	5/2012	Tanaka	H04R 1/1016
4,457,396	A	7/1984	James					381/370
4,539,708	A	9/1985	Norris	D666,581	S	9/2012	Perez	
4,585,089	A	4/1986	Topholm	D667,123	S*	9/2012	Takemoto	D24/174
4,617,431	A	10/1986	Scott et al.	8,275,166	B2	9/2012	Wu	
D287,764	S	1/1987	Topholm	D668,244	S	10/2012	Matsumura	
D287,765	S	1/1987	Topholm	D675,595	S*	2/2013	Cho	D14/205
D295,173	S	4/1988	Oren	D675,599	S*	2/2013	Kumagai	D14/223
4,736,430	A	4/1988	Schroder	D683,332	S	5/2013	Lee et al.	
4,736,435	A	4/1988	Yokoyama et al.	D685,764	S	7/2013	Coulter	
4,917,504	A	4/1990	Scott et al.	D697,058	S	1/2014	Thompson et al.	
4,937,876	A	6/1990	Biermans	D699,226	S	2/2014	Yoon	
4,965,838	A	10/1990	Kamon et al.	D700,905	S*	3/2014	Pavitsich	D14/223
D315,350	S	3/1991	Ikeda	D705,757	S*	5/2014	Yashiro	H04R 1/10
D319,576	S	9/1991	Westphal et al.					D14/223
5,054,079	A	10/1991	Frielingsdorf et al.	D708,163	S*	7/2014	Ishikura	D14/205
D321,881	S	11/1991	Hopewell	D708,164	S*	7/2014	Ishikura	D14/205
D348,066	S	6/1994	Lucey	8,776,801	B2	7/2014	McIntosh	
D363,487	S	10/1995	Thurnau	D711,356	S	8/2014	Yang	
D367,113	S	2/1996	Weeks	D712,873	S*	9/2014	Krauss	D14/205
5,659,156	A	8/1997	Mauney et al.	D718,745	S*	12/2014	Thompson	D14/223
5,867,582	A	2/1999	Nagayoshi	D719,548	S*	12/2014	Thompson	D14/223
D417,465	S	12/1999	Kreitz et al.	D719,550	S	12/2014	Yang	
6,122,388	A	9/2000	Feldman	D725,082	S	3/2015	Palmborg et al.	
D435,036	S	12/2000	Koss et al.	8,983,108	B2	3/2015	Ho	
6,427,018	B1	7/2002	Keliiliki	D726,145	S	4/2015	Hsieh et al.	
D468,301	S	1/2003	Fushimi	D727,871	S	4/2015	Orbach	
D477,593	S	7/2003	Komiyama	D733,102	S	6/2015	Palmborg et al.	
D477,822	S	7/2003	Komiyama	D735,169	S	7/2015	Shieh	
D481,709	S	11/2003	Solderits	9,087,506	B1	7/2015	Kraft et al.	
6,704,429	B2	3/2004	Lin	D735,699	S*	8/2015	Yasuda	D14/223
D505,411	S	5/2005	Sakai	D736,749	S*	8/2015	Yasuda	D14/223
D512,049	S	11/2005	Yang	D737,251	S*	8/2015	Thompson	D14/223
D519,108	S	4/2006	Yang	D739,851	S	9/2015	Donohue, II et al.	
D527,343	S*	8/2006	Navarez	9,131,308	B2	9/2015	Kraft et al.	
7,113,611	B2	9/2006	Leedom et al.	D740,255	S*	10/2015	Samrelius	D14/206
D529,901	S*	10/2006	Ohta	D742,861	S	11/2015	Miyake et al.	
7,120,267	B2	10/2006	Ito et al.	D743,949	S	11/2015	Miyake et al.	
D544,463	S*	6/2007	Harris	D751,530	S*	3/2016	Kolton	D14/205
D549,222	S	8/2007	Huang	D764,445	S	8/2016	Czaniecki	
D550,657	S	9/2007	Gan et al.	D773,032	S	11/2016	Palmborg et al.	
D554,627	S	11/2007	Gondo	D775,108	S	12/2016	Hsieh et al.	
D564,495	S	3/2008	Sasaki	D777,149	S	1/2017	Bonahoom et al.	
D566,099	S	4/2008	Komiyama	D777,710	S	1/2017	Palmborg et al.	
D567,217	S	4/2008	Kamo et al.	9,565,491	B2	2/2017	Baker et al.	
D569,841	S	5/2008	Chung et al.	D781,269	S	3/2017	Choe et al.	
D578,507	S	10/2008	Ando	D782,997	S	4/2017	Shin et al.	
D579,005	S	10/2008	Wilhelmsen	D782,998	S	4/2017	Shin et al.	
D581,394	S*	11/2008	Lee	D794,611	S*	8/2017	Valenzuela	D14/223
D581,943	S*	12/2008	Pedersen	D795,224	S*	8/2017	Valenzuela	D14/223
D586,332	S	2/2009	Ewert et al.	D798,843	S	10/2017	Valenzuela et al.	
D588,111	S	3/2009	Komiyama	D800,703	S*	10/2017	Vaclavik	D14/223
D593,997	S	6/2009	Mauritzsson	D801,950	S*	11/2017	Otani	D14/223
D594,441	S*	6/2009	Lee	D806,059	S*	12/2017	Ott	D14/223
D595,262	S*	6/2009	Nousiainen	D806,685	S*	1/2018	Park	D14/223
D597,084	S	7/2009	Gondo	D810,720	S*	2/2018	Lee	D14/205
D601,548	S*	10/2009	Morisawa	D810,724	S	2/2018	Czaniecki et al.	
D603,380	S	11/2009	Hutchieson	D815,069	S	4/2018	Xiong	
D605,182	S*	12/2009	Fagnot	D816,637	S	5/2018	Hardi	
D605,628	S*	12/2009	Ando	D817,303	S*	5/2018	Tragatschnig	D14/205
D606,971	S	12/2009	Christopher et al.	D817,309	S	5/2018	Czaniecki et al.	
D611,934	S	3/2010	Schaefer	D819,592	S*	6/2018	Folkmann	D14/149
D614,168	S*	4/2010	Rogers	D833,420	S*	11/2018	Lindenberger	D14/223
D617,770	S*	6/2010	Sanguinetti	D845,281	S*	4/2019	Lee	D14/223
D629,793	S*	12/2010	Goransson	D845,933	S*	4/2019	Lee	D14/223
D631,470	S	1/2011	Yoneyama et al.	2007/0263896	A1	11/2007	Chen	
				2011/0103637	A1*	5/2011	Yuen	H04R 1/1041
								381/380
				2011/0142276	A1	6/2011	Uchida et al.	
				2012/0087532	A1	4/2012	Yang	

(56)

References Cited

U.S. PATENT DOCUMENTS

2013/0114841 A1* 5/2013 Hwang H04R 1/10
381/374
2013/0170692 A1 7/2013 Kaneko et al.
2017/0026738 A1 1/2017 Tang

* cited by examiner

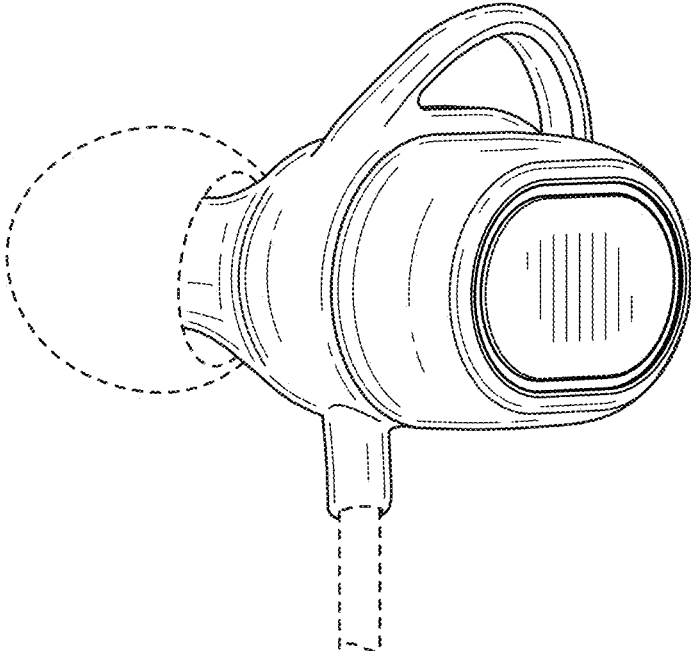


FIG. 1

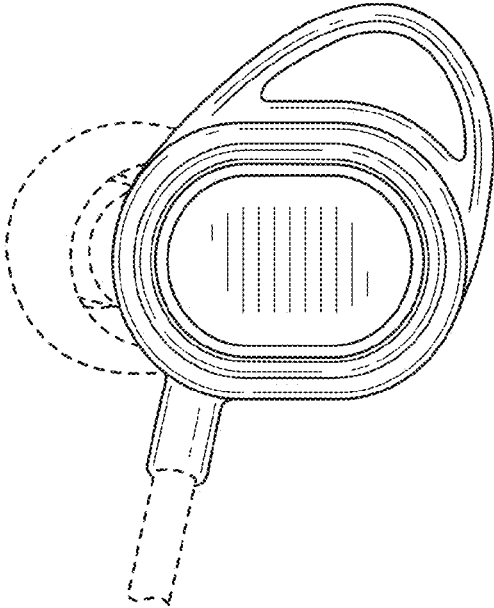


FIG. 2

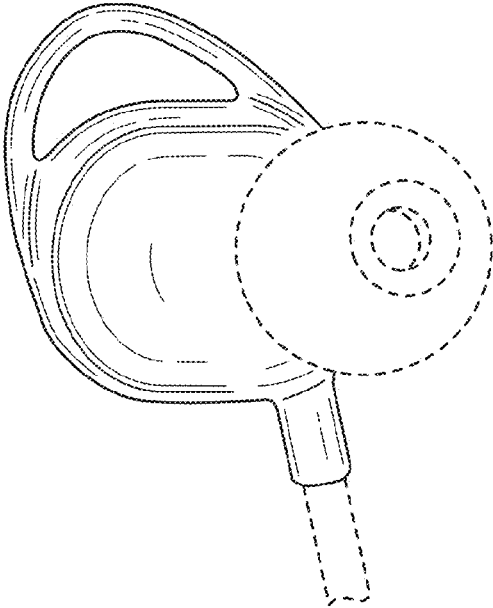


FIG. 3

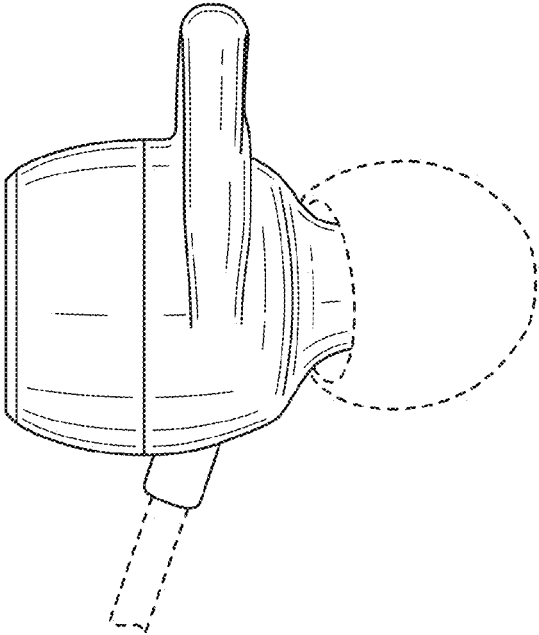


FIG. 4

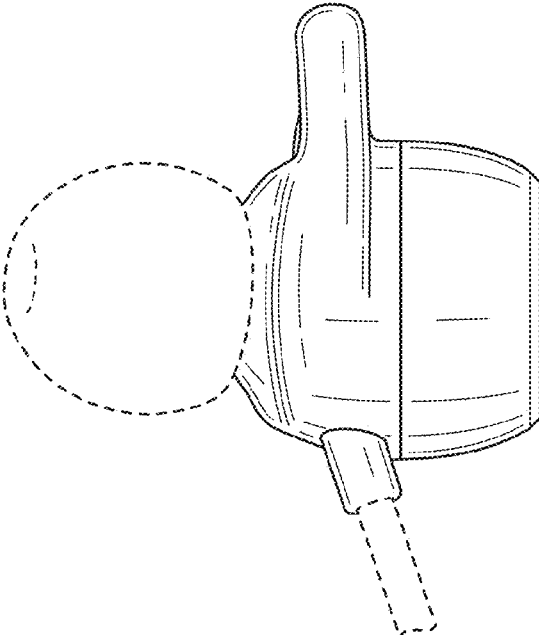


FIG. 5

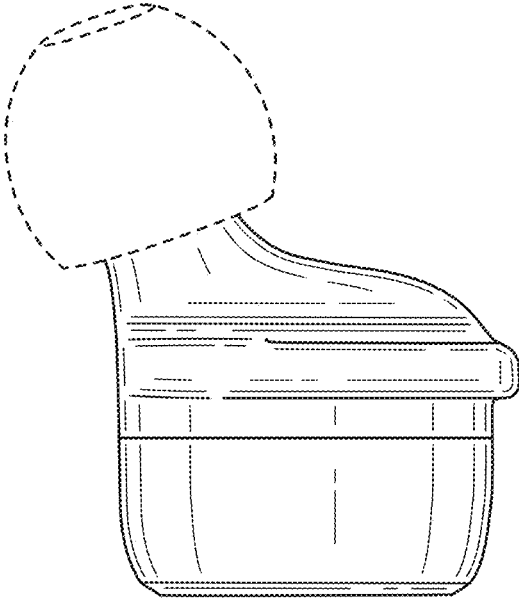


FIG. 6

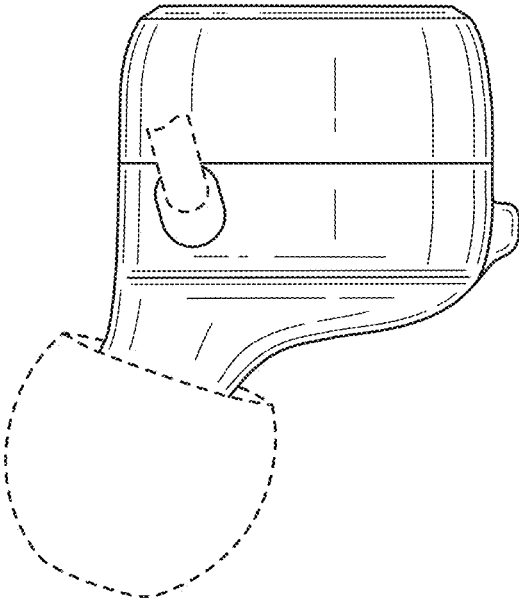


FIG. 7

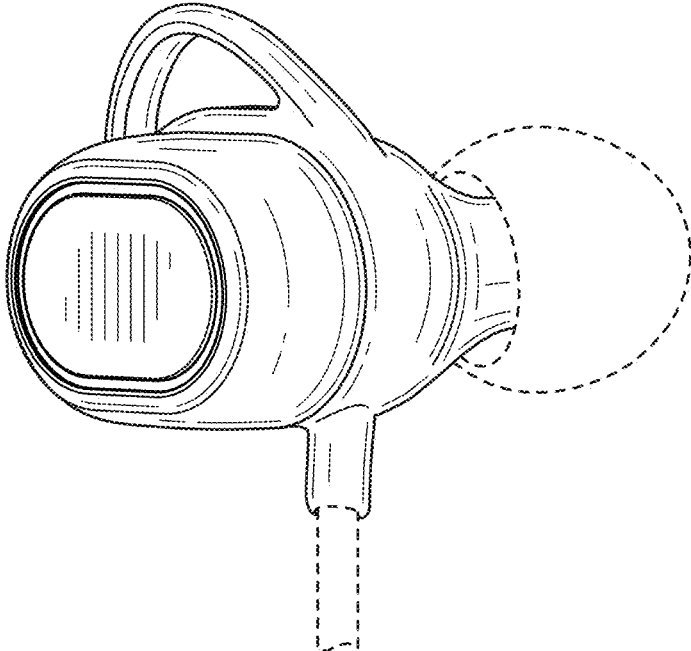


FIG. 8

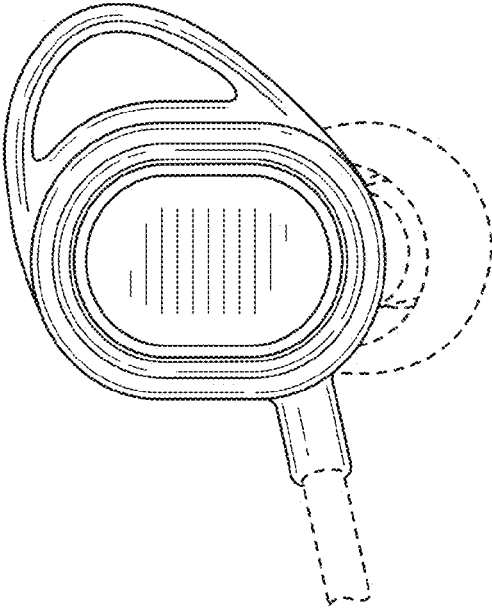


FIG. 9

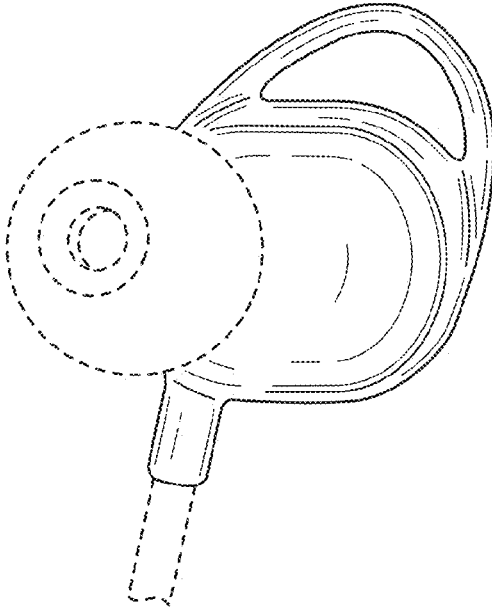


FIG. 10

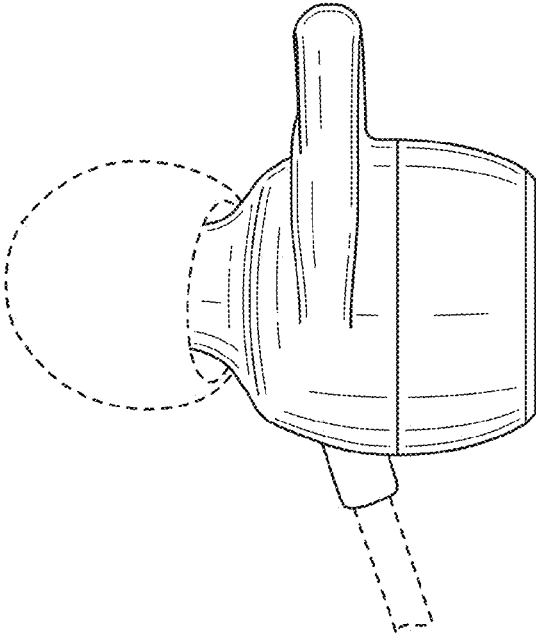


FIG. 11

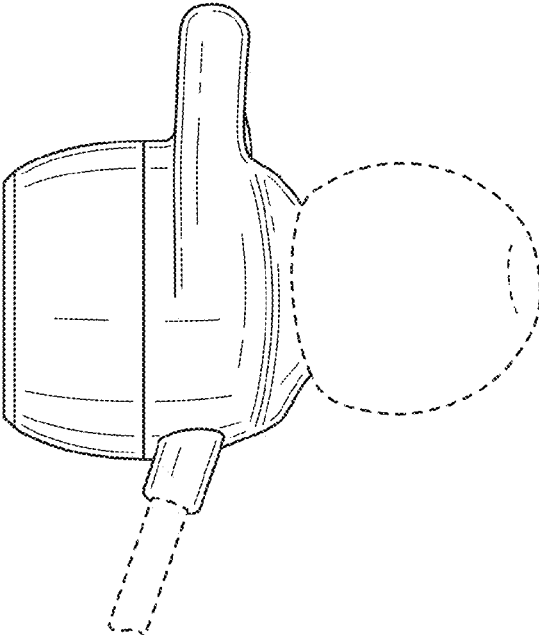


FIG. 12

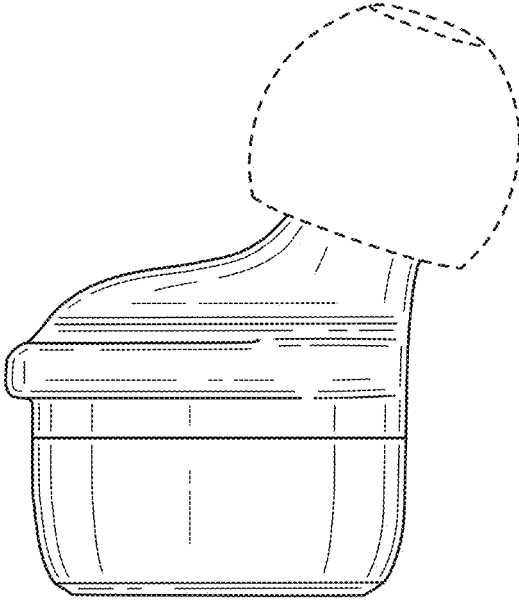


FIG. 13

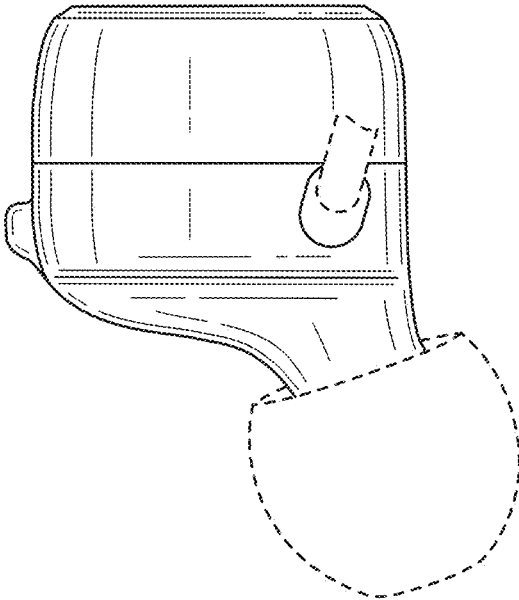


FIG. 14