



- (51) International Patent Classification:
B62D 55/065 (2006.01) *B62D 55/108* (2006.01)
B62D 55/084 (2006.01)
- (21) International Application Number:
PCT/EP2017/069495
- (22) International Filing Date:
02 August 2017 (02.08.2017)
- (25) Filing Language: English
- (26) Publication Language: English
- (30) Priority Data:
102016000081200 02 August 2016 (02.08.2016) IT
- (71) Applicant (for all designated States except CN, US):
CNH INDUSTRIAL ITALIA S.P.A. [IT/IT]; Via Plava 8,
10135 Turin (IT).
- (71) Applicant (for US only): **CNH INDUSTRIAL AMERI-
CA LLC** [US/US]; P.O. Box 1895 500 Diller Avenue, New
Holland, Pennsylvania 17557 (US).
- (71) Applicant (for CN only): **CNH (CHINA) MANAGE-
MENT CO., LTD** [CN/CN]; Floor 10, No. 2, Maji Road
Waigaoqiao Trade Free Zone, Shanghai, 200131 (CN).
- (72) Inventors: **STEFANO, Fiorati**; Via Del Lavoro 12, 44028
Poggio Renatico (Ferrara) (IT). **PAOLINI, Francesco**; Via
Domenico Gazzadi 150, 41122 Modena (IT). **STOLT-
MAN, Russell, V.**; 24262 S Jos PL, Frankfort, Illinois
60423 (US). **VIK, Brian D.**; 21855 162nd Avenue South,
Barnesville, Minnesota 56514 (US).
- (74) Agent: **BOYDENS, Kris, R.**; CNH Industrial Belgium nv
Leon Claeysstraat 3A, 8210 Zedelgem (BE).
- (81) Designated States (unless otherwise indicated, for every
kind of national protection available): AE, AG, AL, AM,
AO, AT, AU, AZ, BA, BB, BG, BH, BN, BR, BW, BY, BZ,
CA, CH, CL, CN, CO, CR, CU, CZ, DE, DJ, DK, DM, DO,

(54) Title: TRACK SYSTEM FOR A WORK VEHICLE

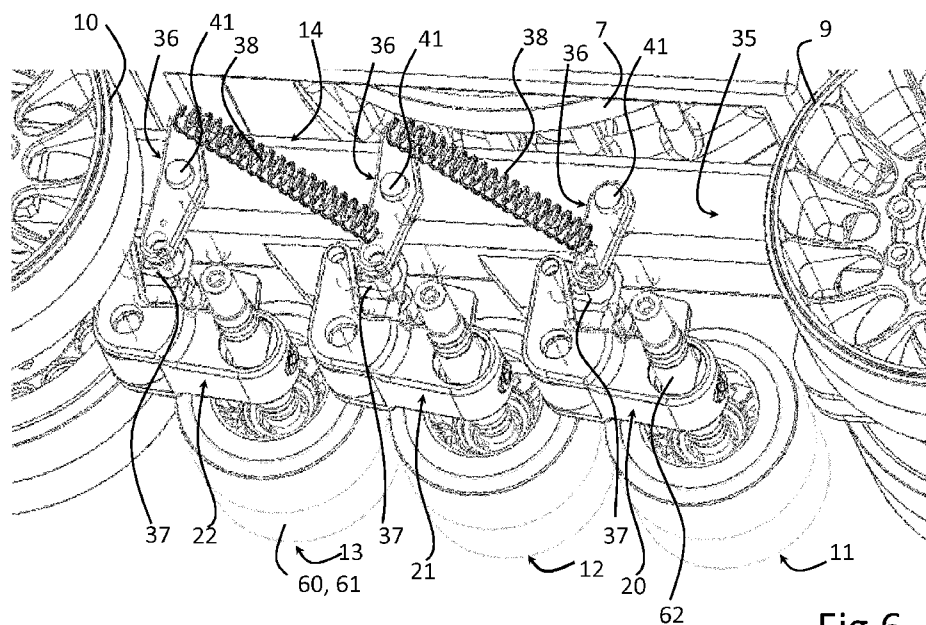


Fig 6

(57) Abstract: A rubber track system (3) comprises a driving wheel (7), an undercarriage beam (14) hinged to a frame (2) of the vehicle, at least one idler wheel (9), at least a first and a second roller wheel (11, 12) attached to the undercarriage beam (14). The vehicle further comprises a first and a second tilting support (20, 21) to attach a relative roller wheel (11, 12) to the undercarriage beam (14) and an elastic or visco-elastic connection (23) to join first and second adjacent tilting supports (20, 21) one to the other such that, when a leading roller wheel (11) moves down, a trailing roller wheel (12) is pushed up, and vice-versa, via the elastic or visco-elastic connection (23).



DZ, EC, EE, EG, ES, FI, GB, GD, GE, GH, GM, GT, HN, HR, HU, ID, IL, IN, IR, IS, JO, JP, KE, KG, KH, KN, KP, KR, KW, KZ, LA, LC, LK, LR, LS, LU, LY, MA, MD, ME, MG, MK, MN, MW, MX, MY, MZ, NA, NG, NI, NO, NZ, OM, PA, PE, PG, PH, PL, PT, QA, RO, RS, RU, RW, SA, SC, SD, SE, SG, SK, SL, SM, ST, SV, SY, TH, TJ, TM, TN, TR, TT, TZ, UA, UG, US, UZ, VC, VN, ZA, ZM, ZW.

(84) Designated States (*unless otherwise indicated, for every kind of regional protection available*): ARIPO (BW, GH, GM, KE, LR, LS, MW, MZ, NA, RW, SD, SL, ST, SZ, TZ, UG, ZM, ZW), Eurasian (AM, AZ, BY, KG, KZ, RU, TJ, TM), European (AL, AT, BE, BG, CH, CY, CZ, DE, DK, EE, ES, FI, FR, GB, GR, HR, HU, IE, IS, IT, LT, LU, LV, MC, MK, MT, NL, NO, PL, PT, RO, RS, SE, SI, SK, SM, TR), OAPI (BF, BJ, CF, CG, CI, CM, GA, GN, GQ, GW, KM, ML, MR, NE, SN, TD, TG).

Published:

- *with international search report (Art. 21(3))*
- *before the expiration of the time limit for amending the claims and to be republished in the event of receipt of amendments (Rule 48.2(h))*

(88) Date of publication of the international search report:

22 March 2018 (22.03.2018)

INTERNATIONAL SEARCH REPORT

International application No
PCT/EP2017/069495

A. CLASSIFICATION OF SUBJECT MATTER
INV. B62D55/065 B62D55/084 B62D55/108
ADD.
According to International Patent Classification (IPC) or to both national classification and IPC

B. FIELDS SEARCHED
Minimum documentation searched (classification system followed by classification symbols)
B62D

Documentation searched other than minimum documentation to the extent that such documents are included in the fields searched

Electronic data base consulted during the international search (name of data base and, where practicable, search terms used)
EPO-Internal, WPI Data

C. DOCUMENTS CONSIDERED TO BE RELEVANT

Category*	Citation of document, with indication, where appropriate, of the relevant passages	Relevant to claim No.
A	AT 146 854 B (REIK HUGO ING) 25 August 1936 (1936-08-25) single tilting supports 6,6' hingedly connect single rollers 5 to the undercarriage frame 2 and form at their extension sideways to the undercarrage a pair of scissors' arms 6'' with an elastic element 8 connecting each scissor arm.; page 1, line 8 - page 2, line 52; claims; figures ----- -/--	1-13

Further documents are listed in the continuation of Box C.

See patent family annex.

* Special categories of cited documents :

- "A" document defining the general state of the art which is not considered to be of particular relevance
- "E" earlier application or patent but published on or after the international filing date
- "L" document which may throw doubts on priority claim(s) or which is cited to establish the publication date of another citation or other special reason (as specified)
- "O" document referring to an oral disclosure, use, exhibition or other means
- "P" document published prior to the international filing date but later than the priority date claimed

- "T" later document published after the international filing date or priority date and not in conflict with the application but cited to understand the principle or theory underlying the invention
- "X" document of particular relevance; the claimed invention cannot be considered novel or cannot be considered to involve an inventive step when the document is taken alone
- "Y" document of particular relevance; the claimed invention cannot be considered to involve an inventive step when the document is combined with one or more other such documents, such combination being obvious to a person skilled in the art
- "&" document member of the same patent family

Date of the actual completion of the international search 2 November 2017	Date of mailing of the international search report 13/02/2018
Name and mailing address of the ISA/ European Patent Office, P.B. 5818 Patentlaan 2 NL - 2280 HV Rijswijk Tel. (+31-70) 340-2040, Fax: (+31-70) 340-3016	Authorized officer Tiedemann, Dirk

INTERNATIONAL SEARCH REPORT

International application No
PCT/EP2017/069495

C(Continuation). DOCUMENTS CONSIDERED TO BE RELEVANT		
Category*	Citation of document, with indication, where appropriate, of the relevant passages	Relevant to claim No.
A	US 2014/138169 A1 (FAIRHEAD RYAN JAMES [CA]) 22 May 2014 (2014-05-22) par.92,93 & Fig.8 - elastic connection pos.104,116 & roller pos.36 & tilting support pos.115 & Pivot point pos.134 & housing pos.20 & swign arms form an X - like a scissor; paragraphs [0008] - [0096]; claims; figures -----	1-13
A	DE 578 902 C (JOSEPH VOLLMER) 19 June 1933 (1933-06-19) Fig.6 - Rockers pos.5 & 1st, 3rd roller wheel pos.4 & undercarriage pos.20 & intermediate rocker pos. 25 & second roller pos. 48 & elastic connection 35,25 connecting rockers 5 to intermediate rocker 25 & pos.4,5; page 1, left-hand column, line 1 - page 2, right-hand column, line 69; claims; figures -----	1-13
A	EP 1 318 067 A2 (KAESSBOHRER GELAENDEFAHRZEUG [DE]) 11 June 2003 (2003-06-11) paragraphs [0003] - [0023]; claims; figures -----	1-13
A	GB 416 548 A (RENAULT LOUIS) 17 September 1934 (1934-09-17) page 1, left-hand column, line 9 - page 1, right-hand column, line 88; claims; figures -----	1-13
A	US 4 361 363 A (LIVESAY RICHARD E) 30 November 1982 (1982-11-30) column 1, line 61 - column 6, line 2; claims; figures -----	1-13
A	US 2 427 006 A (KONX HARRY A) 9 September 1947 (1947-09-09) column 1, line 8 - column 4, line 33; claims; figures -----	1-13
A	US 1 386 926 A (GEORG HAGELLOCH) 9 August 1921 (1921-08-09) page 1, left-hand column, line 11 - page 2, left-hand column, line 7; claims; figures -----	1-13
A	GB 466 337 A (KRUPP AG) 26 May 1937 (1937-05-26) page 1, left-hand column, line 15 - page 2, left-hand column, line 2; claims; figures -----	1-13

INTERNATIONAL SEARCH REPORT

Information on patent family members

International application No PCT/EP2017/069495

Patent document cited in search report	Publication date	Patent family member(s)	Publication date
AT 146854	B	25-08-1936	NONE

US 2014138169	A1	22-05-2014	CA 2833260 A1 18-10-2012
			CN 103596834 A 19-02-2014
			US 2014138169 A1 22-05-2014
			WO 2012142497 A1 18-10-2012

DE 578902	C	19-06-1933	NONE

EP 1318067	A2	11-06-2003	CA 2413900 A1 07-06-2003
			DE 10160918 A1 26-06-2003
			EP 1318067 A2 11-06-2003
			NO 20025767 A 10-06-2003
			US 2005087374 A1 28-04-2005

GB 416548	A	17-09-1934	FR 44110 E 16-10-1934
			FR 751697 A 07-09-1933
			GB 416548 A 17-09-1934

US 4361363	A	30-11-1982	BR 8009129 A 01-03-1983
			CA 1155476 A 18-10-1983
			EP 0052417 A1 26-05-1982
			JP S57501777 A 07-10-1982
			US 4361363 A 30-11-1982
			WO 8201693 A1 27-05-1982

US 2427006	A	09-09-1947	NONE

US 1386926	A	09-08-1921	NONE

GB 466337	A	26-05-1937	FR 815504 A 13-07-1937
			GB 466337 A 26-05-1937
